

# 12V Constant Voltage Drivers

*Accessories*



Data Sheet

## Product Information

Our 12V Constant Voltage Dimmable LED driver range is available in 2 outputs, these are suitable for products that require a Constant Voltage such as our Navara LED tape.

## Product Features

- 3 year warranty
- 12V Constant Voltage
- IP20
- Class II
- Polycarbonate Construction
- Mains Dimmable (leading and trailing edge dimming)

# Product Specification

Product Code	Product Description	Max load	Current rating	Voltage Range	Types of Dimming	IP Rating	Protection Class
KSRDL278	50w 12v Dimmable Constant Voltage Driver	50w	4.16A Max	12	Leading and Trailing edge	20	II
KSRDL279	100w 12v Dimmable Constant Voltage Driver	100w	8.3A Max	12	Leading and Trailing edge	20	II

Nominal voltage	220-240VAC
Operating frequency	50/60Hz
Ambient temperature range	-20°c~+50°c

## Construction

IP20 Body: Polycarbonate

## Standards

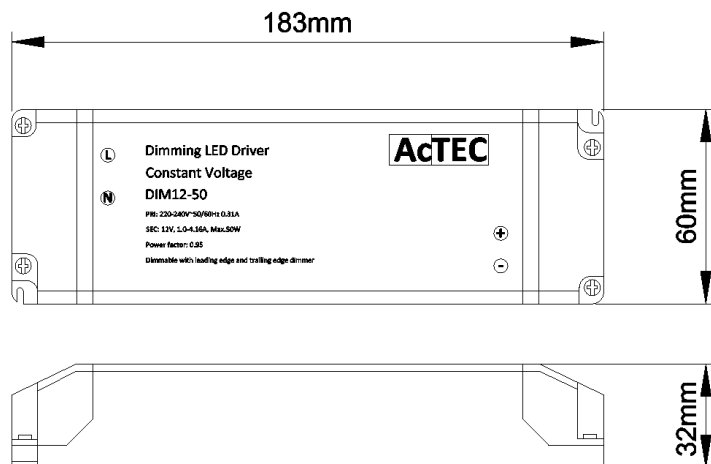
BSEN60598-1:2021 Luminaires – Part 1: General requirements and tests

## In Conformity with

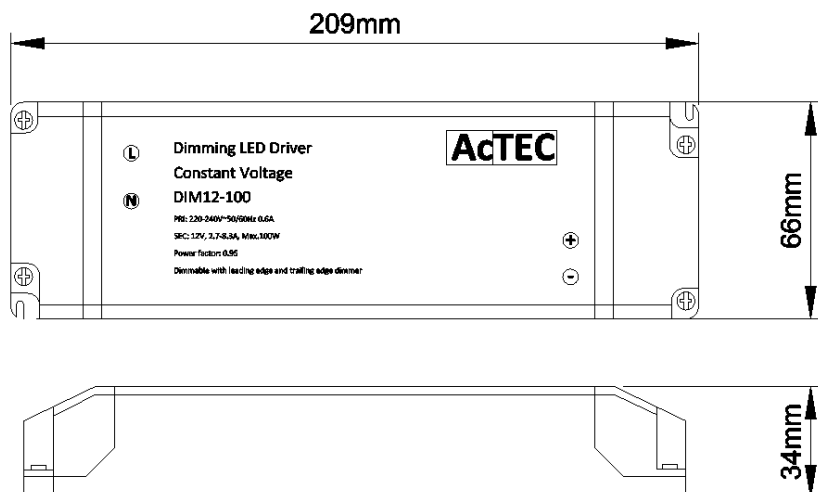
LVD Low voltage directive 2014/35/EU  
EMC Electromagnetic compatibility directive 2014/30/EU  
ERP Energy related products directive 2019/2020/EC  
RoHS Restriction of hazardous substances 2015/863/EU

# Product Dimensions

## KSRDL278



## KSRDL279



KSR Lighting is constantly developing and improving its products. For this reason, all product descriptions in this data sheet are intended as a general guide, and KSR may change specifications from time to time in the interest of product development, without prior notification or public announcement. All descriptions in this data sheet present only general particulars of the goods to which they refer and shall not form part of any contract. Data in this guide has been obtained in controlled experimental conditions. However, KSR Lighting cannot accept any liability arising from the reliance on such data to the extent permitted.