

Internal PIR Sensors

Controls



Data Sheet

Product Information

Our PIR sensors allow you to integrate controls into any project and with surface and recessed mount versions available, these are suitable for most Internal Applications.

Comes with a 3 year warranty

Product Features

- 3 year warranty
- IP20/IP55 for recessed version
- Class II
- Polycarbonate Construction
- Recessed and surface versions available
- 360° Detection Angle
- Suitable for mounting heights up to 4m
- Detection range up to 8m

Product Specification

Product Code	Product Description	Light source Max load	Detection Range	Recommended Mounting Heights	Time Delay	Lux Settings	Protection Class
KSR8404	Internal Surface PIR Sensor	LED – 1000w	6m	2.4m	10sec-12min	2-2000lux	II
		Halogen – 2000w					
		Fluorescent – 1000w					
KSR8405	Internal Recessed PIR Sensor	LED – 600w	1-8m	2.2m-4m	10sec-15min	3-2000lux	II
		Halogen – 1200w					

Nominal voltage	220-240VAC
Operating frequency	50/60Hz
Parasitic Power	<0.5w
Ambient temperature range	-20°C~+40°C
IP rating	20/55

Construction

Body: Polycarbonate

Standards

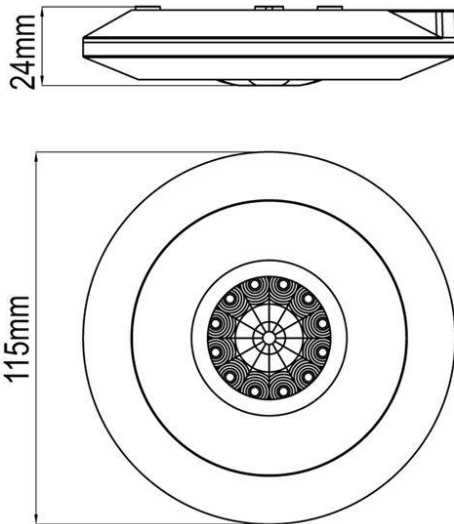
BSEN60598-1:2021 Luminaires – Part 1: General requirements and tests
BSEN15193-1:2017+A1:2021 Energy Performance of Buildings, Energy requirements for Lighting

In Conformity with

LVD Low voltage directive 2014/35/EU
EMC Electromagnetic compatibility directive 2014/30/EU
ERP Energy related products directive 2019/2020/EU
RoHS Restriction of hazardous substances 2015/863/EU

Product Dimensions

KSR8404

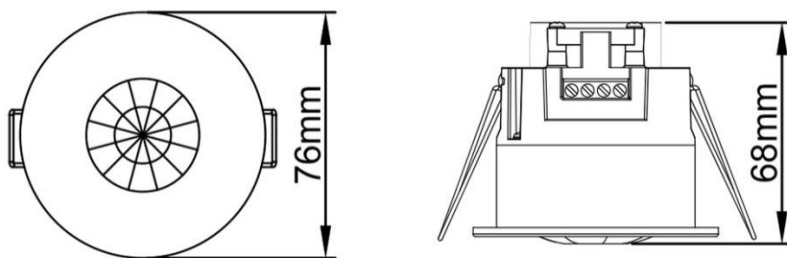


KSR8405

ØCut out



64mm



KSR Lighting is constantly developing and improving its products. For this reason, all product descriptions in this data sheet are intended as a general guide, and KSR may change specifications from time to time in the interest of product development, without prior notification or public announcement. All descriptions in this data sheet present only general particulars of the goods to which they refer and shall not form part of any contract. Data in this guide has been obtained in controlled experimental conditions. However, KSR Lighting cannot accept any liability arising from the reliance on such data to the extent permitted.