

Coria Grande Lantern Range

Lanterns



Data Sheet

Product Information

The Coria Grande E27 lantern Range are a Traditional style lantern range available in 5 different versions in either Black or White.

Due to the wide variety of options this lantern range is perfect for domestic and external applications

Product Features

- 1 year warranty
- Class I
- IP44
- Suitable for use with E27 23w Max lamps
- Suitable for use with E27 LED lamps
- Available in Black only



KSR9962



KSR9960



KSR9961



KSR9963



KSR9964

Product Specification

Product Code	Product Description	Wattage (W)	Lamp Cap	Lumens (lm)	CRI (Ra)	Energy Efficiency Class	Protection Class
KSR9960	Coria Grande E27 Downwards Wall Lantern	23w max	E27	Varies	Varies	Lamp Dependant	I
KSR9961	Coria Grande E27 Upwards Wall Lantern	23w max	E27	Varies	Varies	Lamp Dependant	I
KSR9962	Coria Grande E27 Hanging Lantern	23w max	E27	Varies	Varies	Lamp Dependant	I
KSR9963	Coria Grande E27 Pillar Lantern	23w max	E27	Varies	Varies	Lamp Dependant	I
KSR9964	Coria Grande E27 Mini Post Lantern	23w max	E27	Varies	Varies	Lamp Dependant	I

Nominal voltage	220~240VAC
Operating frequency	50-60Hz
Circuit Power	23w Max
Temperature Range	0°c to 30 °c
IP rating	43

Construction

Body: Cast Aluminium
Diffuser: Clear Glass

Standards

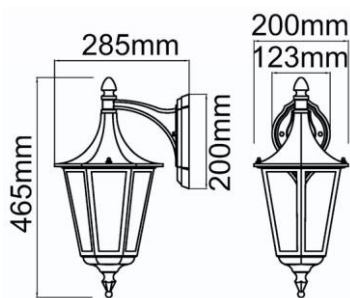
BSEN60598-1:2021 Luminaires – Part 1: General requirements and tests

In Conformity with

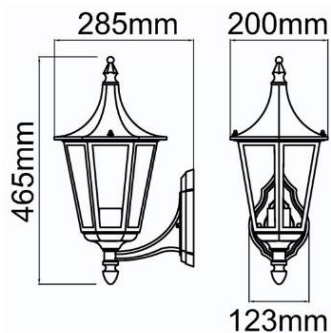
LVD Low voltage directive 2014/35/EU
RoHS Restriction of hazardous substances 2015/863/EU

Product Dimensions

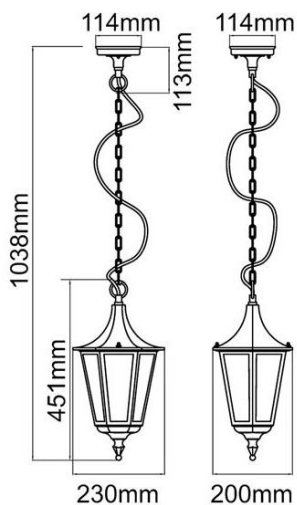
KSR9960



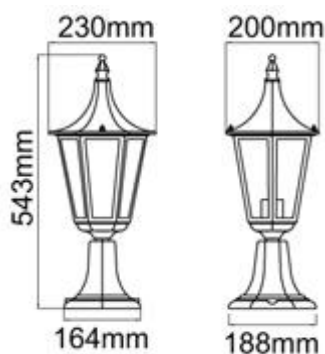
KSR9961



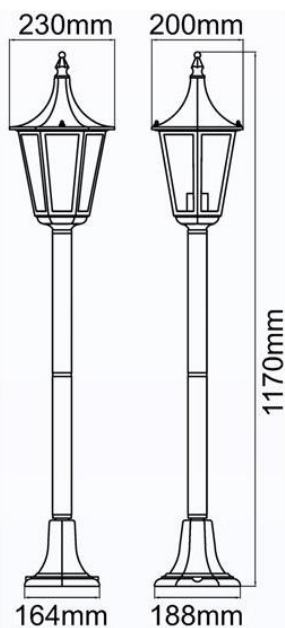
KSR9962



KSR9963



KSR9964



KSR Lighting is constantly developing and improving its products. For this reason, all product descriptions in this data sheet are intended as a general guide, and KSR may change specifications from time to time in the interest of product development, without prior notification or public announcement. All descriptions in this data sheet present only general particulars of the goods to which they refer and shall not form part of any contract. Data in this guide has been obtained in controlled experimental conditions. However, KSR Lighting cannot accept any liability arising from the reliance on such data to the extent permitted.