



Read these instructions before commencing installation. Please give these instructions to the owner/occupier after installation to retain for future reference/maintenance.

IP66 IK08  $\varnothing_{0.3m}$  240V~50HZ 12W

**Fig.1**

These fittings are Class II and do not require an Earth

**Important Information**

It is recommended that these luminaires are installed and fitted by a qualified electrician ensuring the installation complies with current IEE wiring regulations & local building control. These products are designed for connection to a 240V~50Hz supply. Any faulty, broken or damaged luminaires should be replaced immediately.

KSR will not accept responsibility for any claims arising from a poor installation. Please Note: The limited warranty shall be deemed null and void in the following circumstances: Failure by the installer, end user or any third party to exercise caution to protect any covered product or part from outside damage, adverse temperature (normal operating ambient temperature -15 ~ +40°C), humidity conditions, fluctuations in the electrical system or physical abuse as well as failure related to workmanship in the installation of the products or parts.

**Important User Advice**

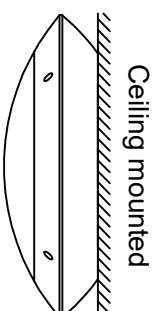
Always switch off mains supply before installing/servicing. Do not use Megger or similar high voltage instruments. Due to the fact this luminaire contains electronic components that may be damaged by high test voltages, they must be disconnected from the circuit before testing. To prevent damage to the driver, do not mix with conventional magnetic ballasts on the same electrical circuit. At the end of life the luminaire is classed as WEEE under directive 2014/30/EU and should be disposed of in accordance with local legislation

**General Maintenance**

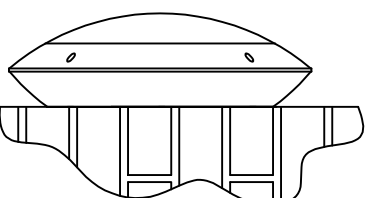
General maintenance and cleaning should be performed at least quarterly. Clean product outer by washing down with soapy water (no abrasive cleaners) and greasing any nuts/bolts where appropriate every 3 months. After any maintenance remember to check all seals undamaged and intact.

**Installation Procedure (Fig. 1)**

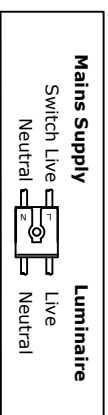
- Familiarize yourself with the installation.
- Safely isolate the mains supply.
- Unscrew the four screws and remove the rim and diffuser.
- Pass intended supply wires through grommet.
- Ensure the fixing surface is flat and even.
- Fix base to the wall or ceiling using adequate fixings with regard to surface type.
- Ensure incoming cables are protected.
- Terminate wiring as per Fig.2.
- Make sure the seal is in place in the diffuser and undamaged.
- Replace Diffuser and rim re-secure using the four screws.
- Turn on the mains supply and test luminaire.



Ceiling mounted

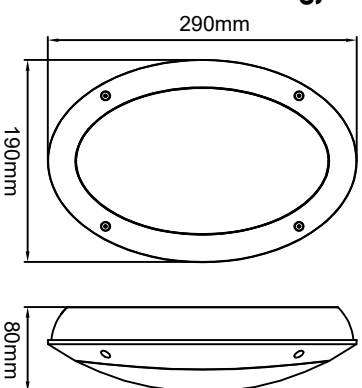


Wall mounted

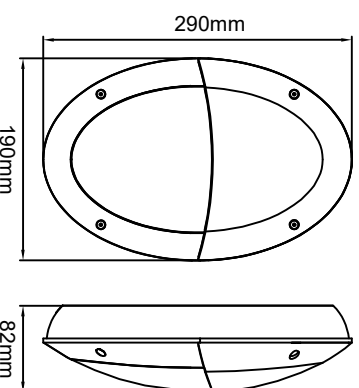


**Fig.2**

**KSR1176**



**KSR1177**



**LED Details**

Wattage: 12W  
 Colour: 4000K  
 KSR1176 Lumen Output: 880 lumens  
 KSR1177 Lumen Output: 695 lumens  
 CRI: Ra>84  
 Non Dimmable

**The light source of this luminaire is not replaceable; when the light source reaches its end of life the whole luminaire shall be replaced**

*KSR1176 contains a light source of energy efficiency class F  
 KSR1177 contains a light source of energy efficiency class G*

KSR Lighting Aftersales: 023 92 674343  
 E-mail: aftersales@ksrlighting.com

