

Firebreak QR Convertor Plates

For Fire Rated Downlights



Product Information

The FireBreak Qr range of convertor plates are the perfect solution for retro fitting the Qr Firebreak downlights in any area, with 3 finishes available & covering 70mm – 130mm cut outs with an overall diameter of 170mm.

KSRFRD357



KSRFRD358



Product Features

- 1 year warranty
- For use with Qr Firebreak Downlights & Tilt Downlights (Except QR Mini)
- IP20
- Non - Fire Rated
- Suitable for cut outs 70mm - 130mm
- Overall diameter 170mm
- Longer Spring Clips provided
- Available in White, Chrome & Satin Chrome finishes
- Chrome & Satin Chrome Bezels ordered separately

Product Specification

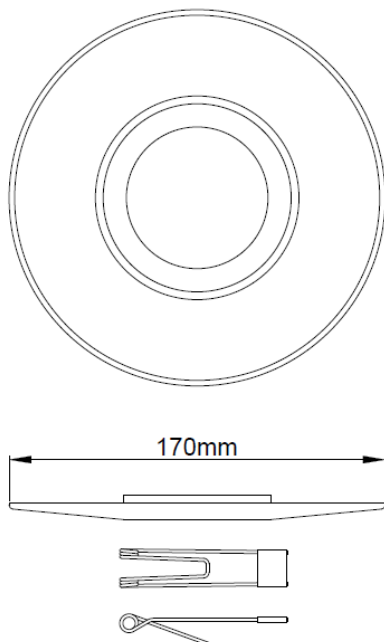
Product Code	Product Description	Overall Diameter	Centre hole Diameter	Rim Thickness	Cut out (Diameter)	Finish	Protection Class
KSRFRD356	Firebreak Qr Convertor Plate White	170mm	70mm	3mm	70mm – 130mm	White	N/A
KSRFRD357	Firebreak Qr Convertor Plate Chrome	170mm	70mm	3mm	70mm – 130mm	Chrome	N/A
KSRFRD358	Firebreak Qr Convertor Plate Satin Chrome	170mm	70mm	3mm	70mm – 130mm	Satin Chrome	N/A
For use with							
KSRFRD383	Firebreak Qr Select Quad CCT Multi Wattage Dimmable LED Downlight						
KSRFRD384	Firebreak Qr Select Quad CCT Multi Wattage Dimmable LED Tilttable Downlight						
KSRFRD385	Firebreak Qr Select Dual Fire Rated Quad CCT Dual wattage Dimmable LED Downlight						
KSRFRD386	Firebreak Qr Dual Pro Fire Rated Quad CCT Dual wattage Dimmable LED Downlight						
KSRFRD387	Firebreak Qr Pro Select Baffle Dual Wattage 4CCT Downlight						

Notes

Even though these are used with a Fire & IP Rated product it will no longer continue to be Fire Rated and only be IP20 rated.

Product Dimensions

KSRFRD356/57/58



KSR Lighting is constantly developing and improving its products. For this reason, all product descriptions in this data sheet are intended as a general guide, and KSR may change specifications from time to time in the interest of product development, without prior notification or public announcement. All descriptions in this data sheet present only general particulars of the goods to which they refer and shall not form part of any contract. Data in this guide has been obtained in controlled experimental conditions. However, KSR Lighting cannot accept any liability arising from the reliance on such data to the extent permitted.