

Malta LED Wall Light

Residential Lighting



Data Sheet

Product Information

The Malta LED wall light comes with a Dim to warm feature which is ideal for mood lighting in domestic applications.

Our Malta LED Wall light comes complete with a 2 year warranty.

KSR7269 WHT



Product Features

- 2 year warranty
- Class I
- IP20
- Dim to Warm colour toning Feature dim from 3000K to 2000K
- Up to CRI Ra95
- Up to 30,000hr Life Expectancy
- Available in Black and White
- For our dimmer compatibility list please go to www.KSRLighting.com

Product Code	Product Description	Wattage (W)	CCT (K)	Lumens (lm)	CRI (Ra)	Energy Efficiency Class	Protection Class
KSR7269	Malta 13w Colour toning LED Wall Light	13	3000	760	95	A+	I

Product Specification

Nominal voltage	220~240VAC
Operating frequency	50/60Hz
Circuit Wattage	15.5w including driver losses
Circuit Current	0.069
Driver Current Rating	350mA
PFC	0.96
In Rush Current	0.356A Max Peak
Ambient temperature range	-20°c to +40°c
IP rating	20

Construction

Body: Aluminium

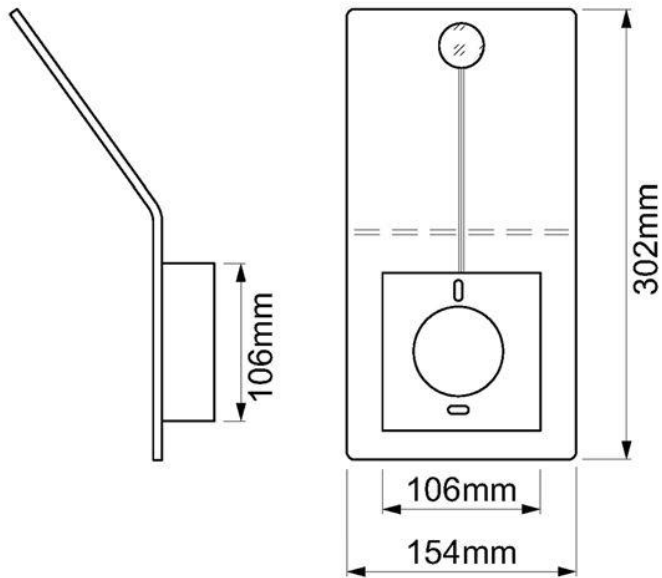
Standards

BSEN60598-1:2015 Luminaires – Part 1: General requirements and tests

In Conformity with

LVD Low voltage directive 2014/35/EU
 EMC Electromagnetic compatibility directive 2014/30/EU
 ERP Energy related products directive 2009/125/EC
 RoHS Restriction of hazardous substances 2011/65/EU

Product Dimensions



KSR Lighting is constantly developing and improving its products. For this reason, all product descriptions in this data sheet are intended as a general guide, and KSR may change specifications from time to time in the interest of product development, without prior notification or public announcement. All descriptions in this data sheet present only general particulars of the goods to which they refer and shall not form part of any contract. Data in this guide has been obtained in controlled experimental conditions. However, KSR Lighting cannot accept any liability arising from the reliance on such data to the extent permitted.