

Moon LED Wall Lights

Residential Lighting



Data Sheet

Product Information

The Moon LED wall light is available in two outputs 5w and 9w. Our 9w version is Dimmable as standard these fittings are ideal for domestic applications.

Our Moon LED Wall lights comes complete with a 2 year warranty.

Product Features

- 2 year warranty
- Class I
- IP20
- Available in two outputs 5w and 9w
- High CRI Ra84
- 9w version dimmable as standard see website for recommended dimmers www.ksrlighting.com
- Up to 30,000hr Life Expectancy

Product Specification

Product Code	Product Description	Wattage (W)	CCT (K)	Lumens (lm)	CRI (Ra)	Energy Efficiency Class	Protection Class
KSR7262	Moon Small 5w 3000K LED Wall Light	5	3000	270	84	A+	I
KSR7263	Moon Large 9w 3000K LED Wall Light	9	3000	650	84	A+	I

Technical Data	Moon Small	Moon Large
Nominal voltage	220~240VAC	220~240VAC
Operating frequency	50/60Hz	50/60Hz
Circuit Wattage	5w including driver losses	11.6w including driver losses
Circuit Current	0.03A	0.05A
Driver Current Rating	500mA	500mA
PFC	0.9	0.93
In Rush Current	0.521A Max Peak	0.512A Max Peak
Ambient temperature range	-10°C to +30°C	-10°C to +30°C
IP rating	20	20

Construction

Body: Powder coated Mild Steel
Light Bar: Aluminium

Standards

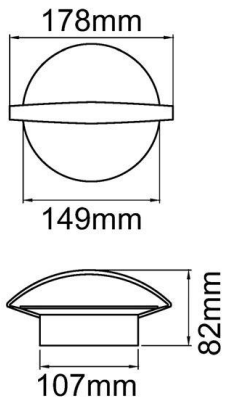
BSEN60598-1:2015 Luminaires – Part 1: General requirements and tests

In Conformity with

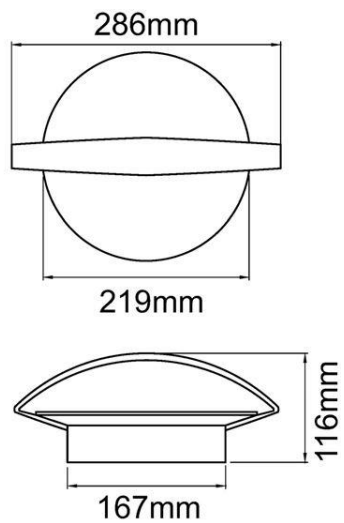
LVD Low voltage directive 2014/35/EU
EMC Electromagnetic compatibility directive 2014/30/EU
ERP Energy related products directive 2009/125/EC
RoHS Restriction of hazardous substances 2011/65/EU

Product Dimensions

KSR7262



KSR7263



KSR Lighting is constantly developing and improving its products. For this reason, all product descriptions in this data sheet are intended as a general guide, and KSR may change specifications from time to time in the interest of product development, without prior notification or public announcement. All descriptions in this data sheet present only general particulars of the goods to which they refer and shall not form part of any contract. Data in this guide has been obtained in controlled experimental conditions. However, KSR Lighting cannot accept any liability arising from the reliance on such data to the extent permitted.