

LED Wall Light, Anthracite, Silver or Rusty Finish

**Read these instructions before commencing installation & retain them for future reference.**

**IP44 ⊕ ⊕ ⊕ ⊕ 240V 50W GU10**

**Important Information**

It is recommended that luminaires are installed by a qualified electrician. The installation of this product must comply with the current edition of the IEE wiring regulations BS7671. These products are designed for connection to a 240V 50Hz supply. Any damaged parts should be replaced as soon as possible. KSR will not accept responsibility for any claims arising from a poor installation.

**Important User Advice**

Always switch off mains supply before installation or servicing.

**Installation Details**

Remove the four retaining screws from the corners of the wall light holding the back plate to the front cover.  
 Secure the back plate to a suitable surface, dressing supply cable through the open grommet, it may be necessary to loosen the two screws and fit the grommet loose before reinstalling the grommet support.  
 This luminaire is not suitable for looping through.  
 Connect the mains supply to the terminal block following the marking on the base and/or the guide in Fig 1 as below.  
 Install your preferred lamp, offer the front cover up to the base plate and connect the earth cable to the corresponding spade terminal on the base. Place the cover back on to the base plate and secure with the four screws. Turn on the power and test.

**Note:** if possible place a small amount of grease on the four screw heads to allow for easy removal in the future if needed.

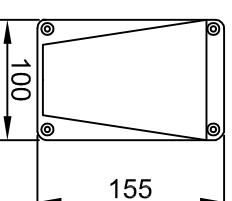
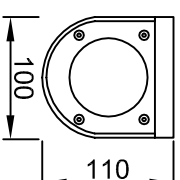
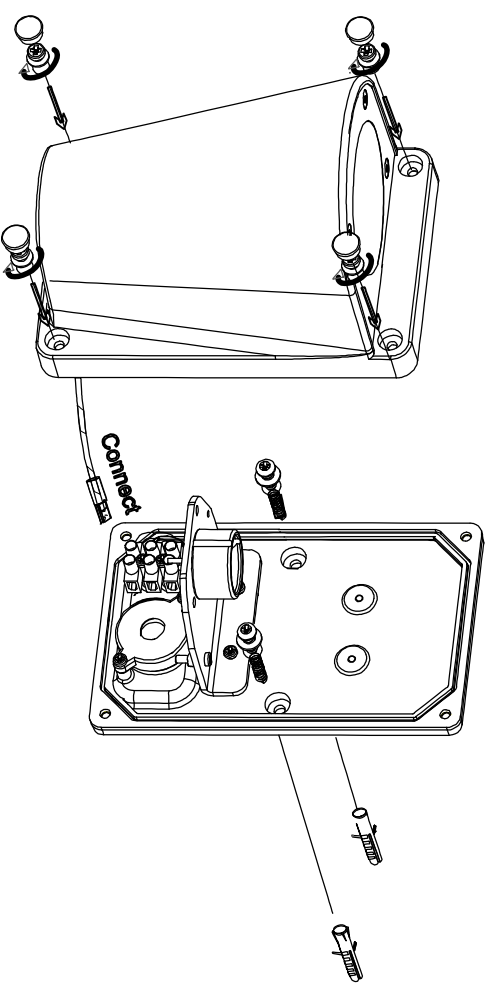
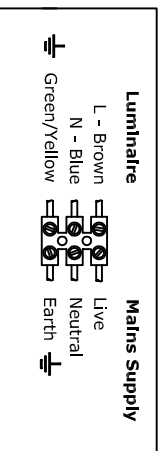


Fig. 1



**Lamp Details**  
 Light Source: GU10 Lampholder  
 Wattage: 50W Halogen Max, Suitable for LED retrofit lamps.  
 Lamp Not Included

KSR Lighting After-sales: 023 92 674343  
 E-mail: [info@ksr-lighting.co.uk](mailto:info@ksr-lighting.co.uk)

