

# Starlet Select LED Backlit Panels

*Commercial Lighting*



## Product Information

The recessed **Starlet Select Backlit LED Panels** design, makes them ideal for commercial applications, with its high-quality TP(a) rated diffuser & newly **improved Lumen outputs**, the panel can be used throughout the install without restriction, along with the convenience of being able to **switch between 2 wattages & Selectable CCT 3000K, 4000K or 6000K** and available as **3 different sizes** with optional **suspension** or **surface** frames, making them extremely versatile panels for all applications. The panel construction also helps lighting designers **achieve UGR19** compliant schemes.

### KSR98151



## Product Features

- 5-year warranty
- Class II
- IP65 (from the front when installed)
- Selectable CCT 3000K, 4000K or 6000K
- Selectable outputs – 25W or 36W for KSR98150 & KSR98151 and 40W or 58W for the KSR98152
- Slim design 33mm Depth
- TP(a) Diffuser as standard
- Plug & Play Driver
- Suitable for T Grid, Surface and Suspended Ceilings
- Surface Frame Available
- Suspension Kit Available
- Part L compliant
- Helps to achieve UGR19 compliant lighting designs
- Dimmable Versions available, DALI, Switch Dim, 1-10V, DSI or Corridor Function
- Self-test Emergency Available
- L70 – 40,000hrs

# Product Specification

Product Code	Product Description	Wattage (W)	CCT (K)	Lumens (lm)	CRI (Ra)	2021 Energy Efficiency Class	Protection Class	Circuit Current	Driver Current
KSR98150	Starlet Multi-wattage 3CCT LED 600x600 Backlit TPa Panel	25	3000	2910lm	84	E	II	0.11	900mA
			4000	3035lm	84	E			
			6000	2970lm	84	E			
		36	3000	4190lm	84	E	II	0.15	900mA
			4000	4360lm	84	E			
			6000	4275lm	84	E			
KSR98151	Starlet Multi-wattage 3CCT LED 300x1200 Backlit TPa Panel	25	3000	2910lm	84	E	II	0.15	900mA
			4000	3035lm	84	E			
			6000	2990lm	84	E			
		36	3000	4190lm	84	E	II	0.15	900mA
			4000	4360lm	84	E			
			6000	4275lm	84	E			
KSR98152	Starlet Multi-wattage 3CCT LED 1200x600 Backlit TPa Panel	40	3000	4705lm	84	F	II	TBC	1400mA
			4000	4845lm	84	F			
			6000	4750lm	84	F			
		58	3000	6820lm	84	F	II	TBC	1400mA
			4000	7030lm	84	F			
			6000	6890lm	84	F			
<b>Optional Accessories:</b>									
KSR9853	Starlet 600mm x 600mm x 85mm Surface Frame								
KSR9854	Starlet 1200mm x 300mm x 85mm Surface Frame								
KSR9855	Starlet 1200mm x 600mm x 85mm Surface Frame								
KSR9856	Starlet 2M Suspension Kit (Suitable for all versions)								

\*For emergency options add EM after the part number

\*\*dimming options available on Request

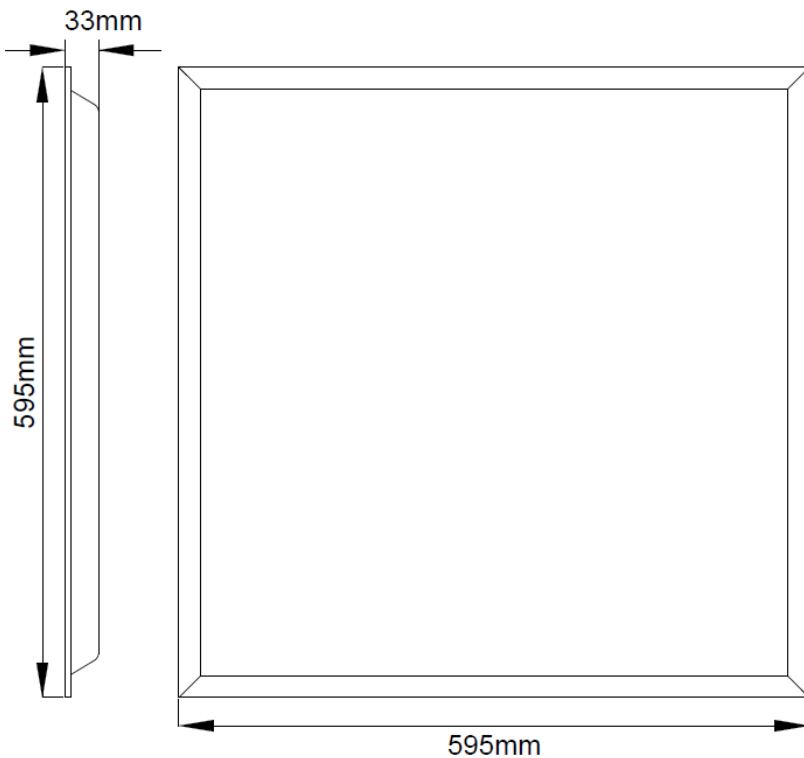
Technical Data	600x600 LED Panel	300x1200 LED Panel	600x1200mm LED Panel
Nominal voltage	200~240VAC	200~240VAC	200~240VAC
Operating frequency	50/60Hz	50/60Hz	50/60Hz
Circuit Wattage	23.61w inc. driver losses	23.61w inc. driver losses	<b>TBC</b>
	33.79w inc. driver losses	33.79w inc. driver losses	<b>TBC</b>
Circuit Current	See Table Above	See Table Above	See Table Above
Driver Current Rating	See Table Above	See Table Above	See Table Above
PFC	0.92	0.92	0.9
	0.95	0.95	
In Rush Current	12.3A Max peak @ 40ms	12.3A Max peak @ 40ms	<b>TBC</b>
Start Time	< 0.5 Sec	< 0.5 Sec	< 0.5 Sec
Ambient temperature range	0°c to +30°c	0°c to +30°c	0°c to +30°c

## Construction

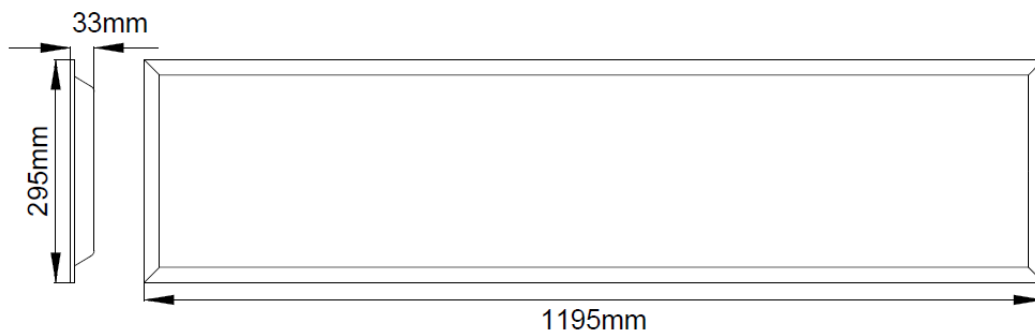
Rim: Mild Steel  
 Diffuser: Polycarbonate TP(a) rated

## Product Dimensions

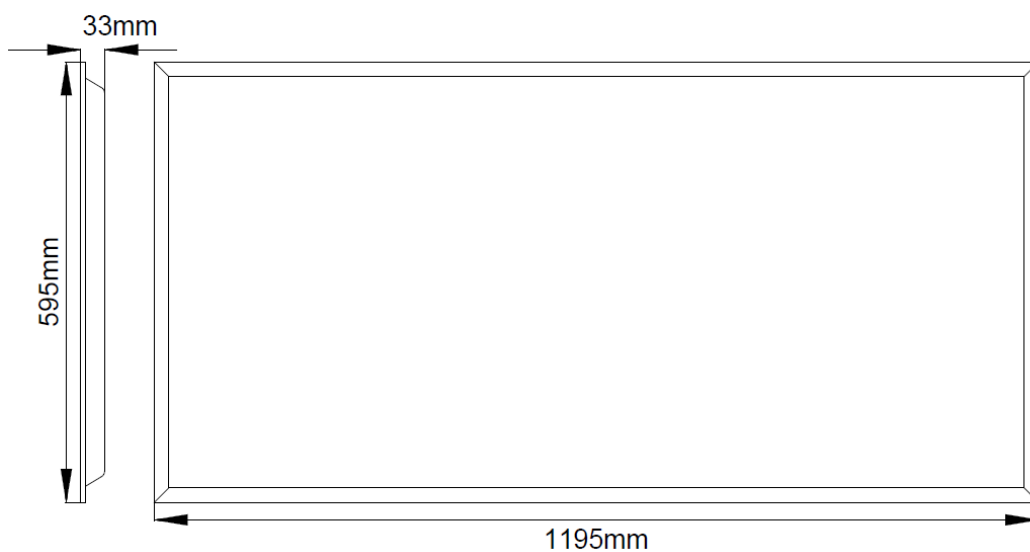
### KSR98150



## KSR98151



## KSR98152



Lighting is constantly developing and improving its products. For this reason, all product descriptions in this data sheet are intended as a general guide and may change specifications from time to time in the interest of product development, without prior notification or public announcement. All descriptions in this data sheet present only general particulars of the goods to which they refer and shall not form part of any contract. Data in this guide has been obtained in controlled experimental conditions. However, we cannot accept any liability arising from the reliance on such data to the extent permitted.