



Calanda Bollard Range

Bollards



Data Sheet

Product Information

The **Calanda Bollard Range** is ideal for path and feature lighting for commercial and domestic applications. With its **Downward Directional Light Design**, it is ideal for applications where **intrusive light must be limited**.

Supplied with an Anthracite finish and Complete with a 3-year warranty



Product Features

- 3-year warranty
- Class I
- IP54
- 8.5W LED
- 3000K
- 290 Lumens
- 15° Emitting Beam Angle
- CRI: Ra84
- 3 Sizes Available
- Cast Aluminium Body
- L70-40,000hrs

Product Specification

Product Code	Product Description	Wattage (W)	CCT (K)	Lumens (lm)	CRI (Ra)	Protection Class
KSR1905	Calanda 8.5W LED 250mm Bollard	8.5W	3000K	290lm	84	I
KSR1906	Calanda 8.5W LED 450mm Bollard	8.5W	3000K	290lm	84	I
KSR1907	Calanda 8.5W LED 650mm Bollard	8.5W	3000K	290lm	84	I

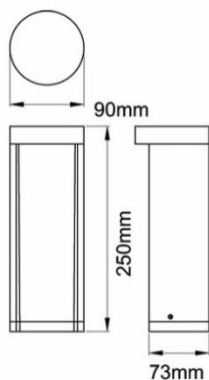
Nominal voltage	100~240VAC
Operating frequency	50/60Hz
Circuit Wattage	7W Cree LED (8.5W including driver losses)
Circuit Current	0.06A
Driver mA Rating	350mA
PFC	0.53
In Rush Current	0.372A Max Peak
Ambient temperature range	0°C to +30°C
IP rating	54

Construction

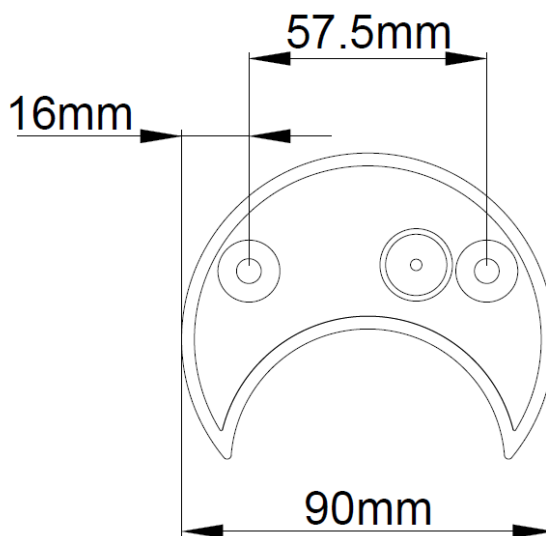
Body: Cast Aluminium
Lens: Glass

Product Dimensions

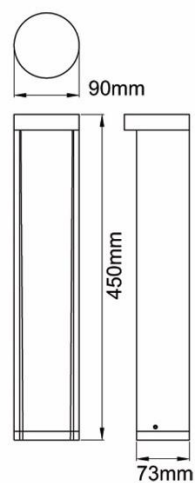
KSR1905



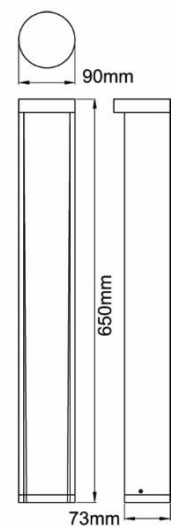
KSR1905-KSR1907:- Base Fixing Details.



KSR1906



KSR1907



KSR Lighting is constantly developing and improving its products. For this reason, all product descriptions in this data sheet are intended as a general guide, and KSR may change specifications from time to time in the interest of product development, without prior notification or public announcement. All descriptions in this data sheet present only general particulars of the goods to which they refer and shall not form part of any contract. Data in this guide has been obtained in controlled experimental conditions. However, KSR Lighting cannot accept any liability arising from the reliance on such data to the extent permitted.