



Available Finishes: Black or White

Read these instructions before commencing installation. Please give these instructions to the owner/occupier after installation to retain for future reference/maintenance.

IP20 240VAC~50Hz 50W Max.

These fittings are Class I and must be Earthed

**Important Information**

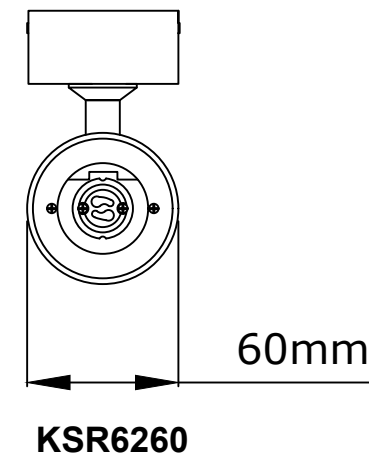
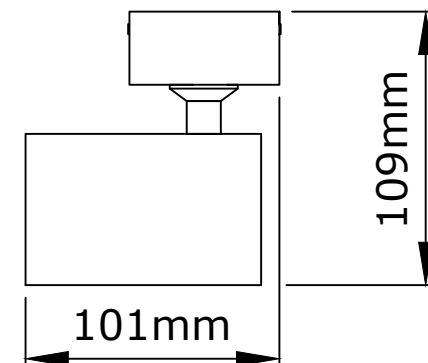
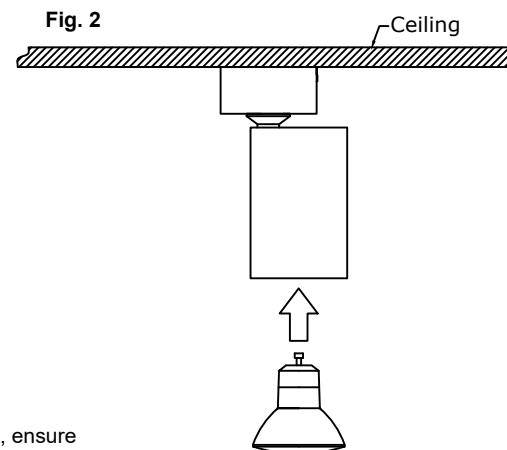
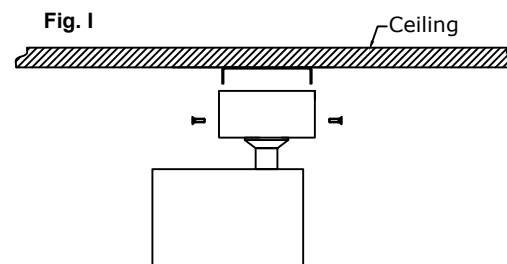
It is recommended that these luminaires are installed and fitted by a qualified electrician ensuring the installation complies with current wiring regulations & local building control. These products are designed for connection to a 240V~50Hz supply. Any faulty, broken or damaged luminaires should be replaced immediately. KSR will not accept responsibility for any claims arising from a poor installation. Please Note: The limited warranty shall be deemed null and void in the following circumstances: Failure by the installer, end user or any third party to exercise caution to protect any covered product or part from outside damage, adverse temperature (normal operating ambient temperature 0 ~ +30°C), humidity conditions, fluctuations in the electrical system or physical abuse as well as failure related to workmanship in the installation of the products or parts.

**General Maintenance**

These products are suitable for internal use and ceiling mounting only, they can be dusted off with a soft cloth, do not use any cleaning products and Always switch off mains supply before servicing. Do not use Megger or similar high voltage instruments. Due to the fact this luminaire's lamp contains electronic components that maybe damaged by high test voltages, they must be disconnected from the circuit before testing. At the end of life the luminaire is classed as WEEE under directive 2014/30/EU and should be disposed of in accordance with local legislation.

**Installation Procedure**

Remove ceiling bracket from the fitting by unscrewing the retaining screws. Fix bracket to the ceiling making sure you use suitable fixings (Fig. 1). Connect the fitting to a 240V supply by terminating to the terminal block located on the inside of the luminaire plate, ensure that the fitting is Earthed as it is class I product. Fix by screwing retaining screws through fitting into ceiling bracket. Install lamps. When inserting the lamp, tilt the head straight down, line up the lamp pins with the lampholder and insert with the spotlight head facing towards you. Then twist the lamp to lock. You may use the sucker tool provided if necessary. After lamp is inserted, adjust beam aim by turning and tilting head of luminaire as required (Fig. 2). Turn on the mains supply and ensure the luminaire is working correctly. Avoid touching a hot luminaire.



| Luminaire    | Mains Supply |
|--------------|--------------|
| L - Brown    | Live         |
| Green/Yellow | Earth        |
| N - Blue     | Neutral      |



**Lamp Details**

Lamp Cap: GU10  
Max Wattage: 50W

KSR Lighting recommend branded lamps

KSR Lighting Aftersales: 023 92 674343  
E-mail: aftersales@ksrlighting.com