

Mag-Trac Range & Accessories

Track Lighting



Data Sheet

Product Information

The **Mag-Trac Magnetic track** range is a **48V** Track System which has a vast range of Track **Spots, Linea Style & Pendant** fittings to suit all scenarios. The track can be **ceiling or wall** fixed to suit the installation.

With a **range of accessories** to help create **various track layouts** to suit the application.

KSR6613BLK



KSR6615WH



Product Features

- 3-year warranty
- Class III (*Except KSR6608 & KSRDL275 - Class II)
- IP20
- 150W Maximum Load (3.125A)
- 48V DC Single Circuit Track
- Choice of Black or White finish
- Spot, Linea or Pendant fittings Available
- Can be Ceiling or Wall Mounted
- Start of Run Surface Power Supply or Remote via Live Feed & Driver
- 10 Metre Maximum Run
- Non-Dimmable

Product Specification

Product Code	Product Description						Protection Class
KSR6600	Mag-Trac 1 Metre Track (10M Max Run)						III
KSR6601	Mag-Trac 2 Metre Track (10M Max Run)						III
KSR6602	Mag-Trac End Cap						III
KSR6603	Mag-Trac Straight Connector						III
KSR6604	Mag-Trac L Connector						III
KSR6605	Mag-Trac In Connector						III
KSR6606	Mag-Trac Surface Wall Kit						III
KSR6607	Mag-Trac Live Feed (Can be fitted anywhere along the track to give Power via KSRDL275)						III
*KSR6608	Mag-Trac 100W Power Supply						II
		Wattage (W)	CCT (K)	Lumens (lm)	CRI (Ra)	Beam Angle	
KSR6609	Mag-Trac I – 7W 3K LED Track Fitting	7W	3000K	460lm	98	38 deg	III
KSR6610	Mag-Trac II – 12W 3K LED Track Fitting	12W	3000K	705lm	98	35 deg	III
KSR6611	Mag-Trac III – 9W 3K LED Track Fitting	9W	3000K	410lm	95	108 deg	III
KSR6612	Mag-Trac IV - 12W 3K LED Track Fitting	12W	3000K	860lm	92	29 deg	III
KSR6613	Mag-Trac I – 5W 3K LED Track Pendant Fitting	5W	3000K	215lm	97	23 deg	III
KSR6614	Mag-Trac II – 5W 3K LED Track Pendant Fitting	5W	3000K	180lm	97	220 deg	III
KSR6615	Mag-Trac III – 4W 3K LED Track Pendant Fitting	4W	3000K	175lm	97	175 deg	III
*KSRDL275	150W 48V LED Constant Voltage Driver	150W					II

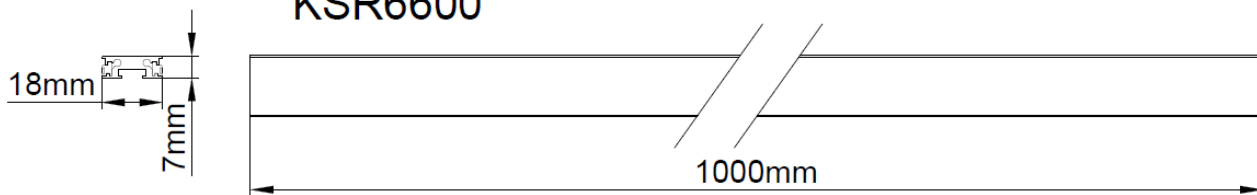
Nominal voltage	220~240V
Operating frequency	50-60Hz
Operating Voltage	48V
IP rating	20

Construction

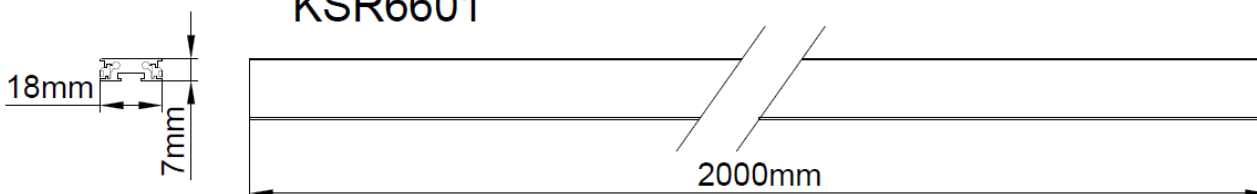
Track: Aluminium / Copper
 Accessories: Plastic / Steel

Product Dimensions

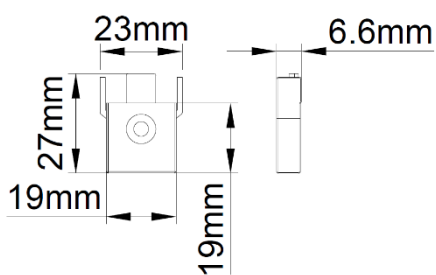
KSR6600



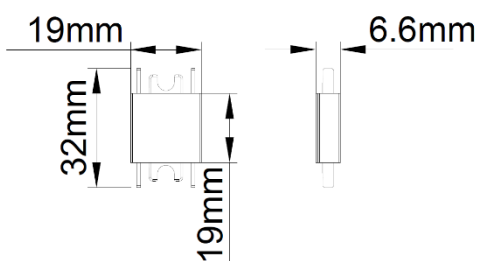
KSR6601



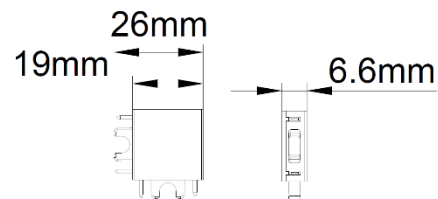
KSR6602



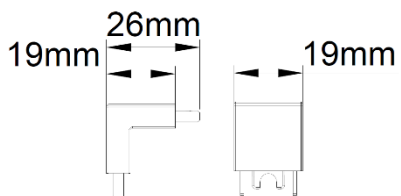
KSR6603



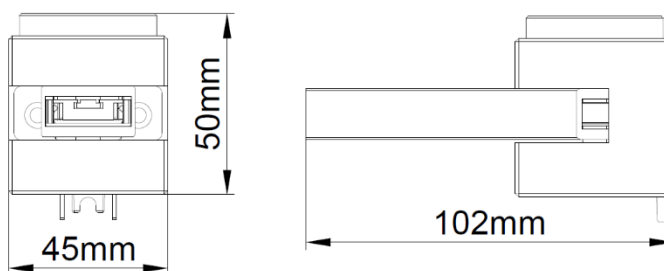
KSR6604



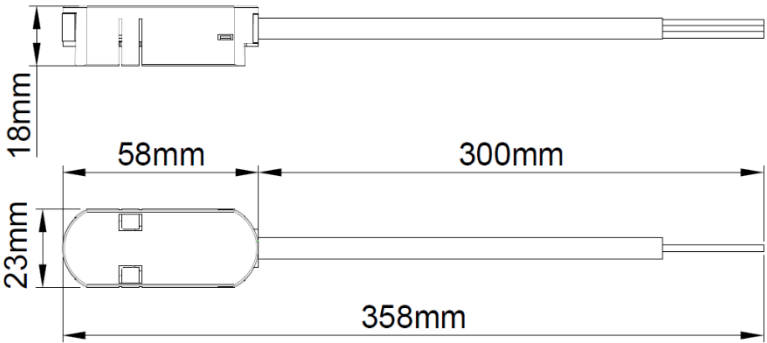
KSR6605



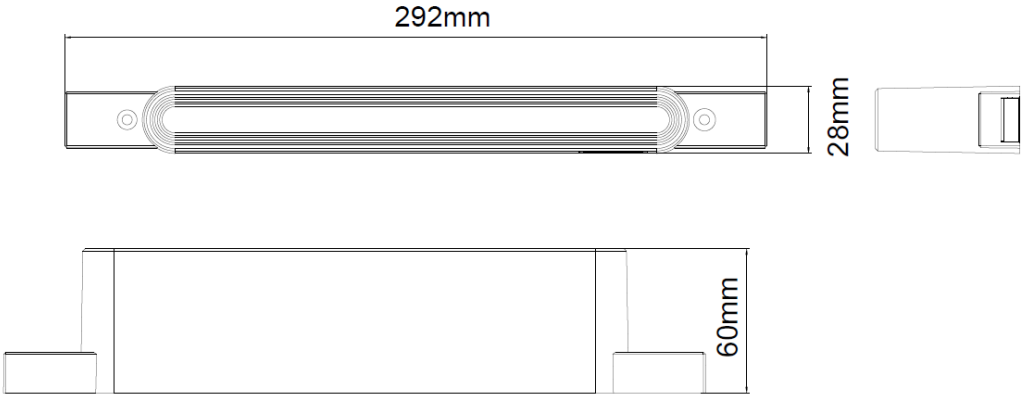
KSR6606



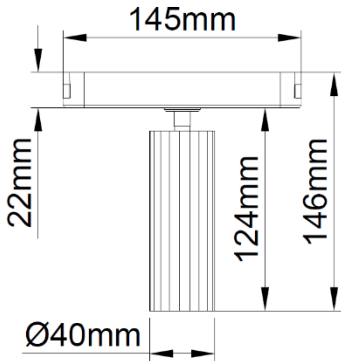
KSR6607



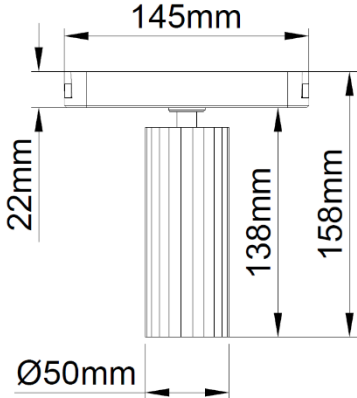
KSR6608

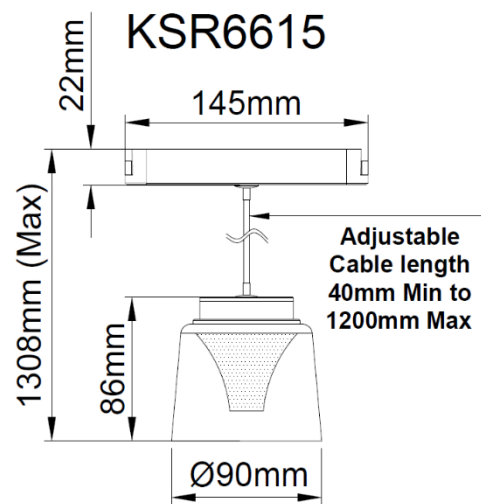
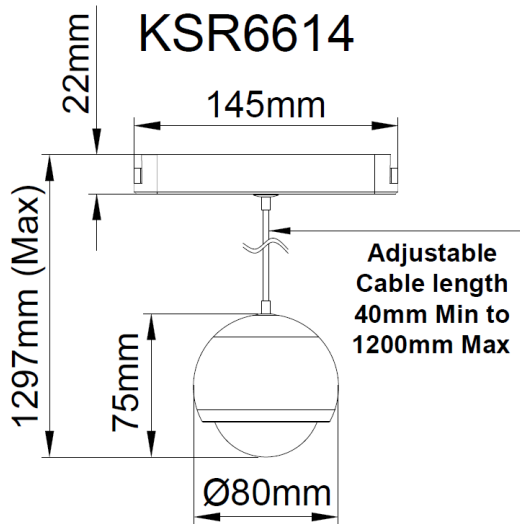
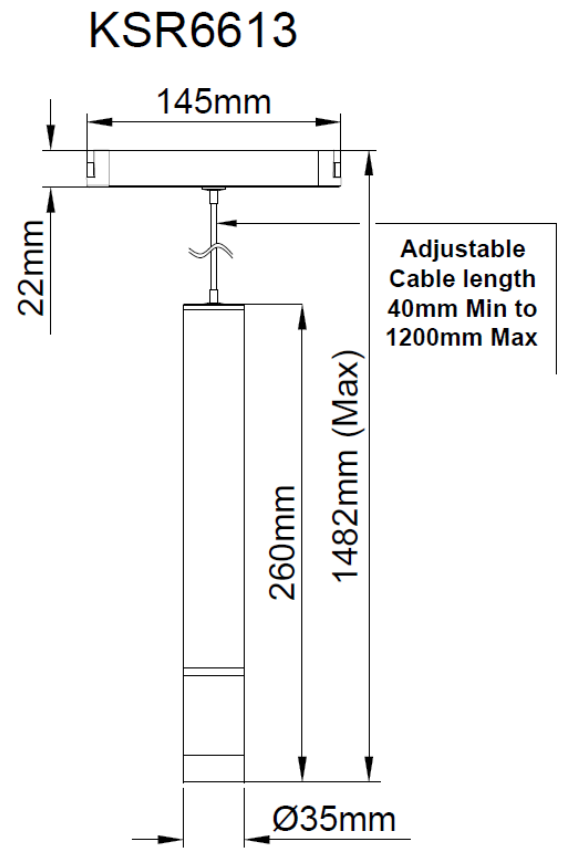
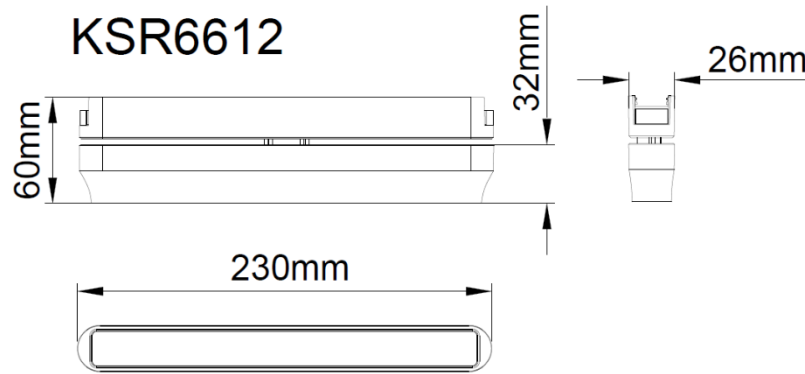
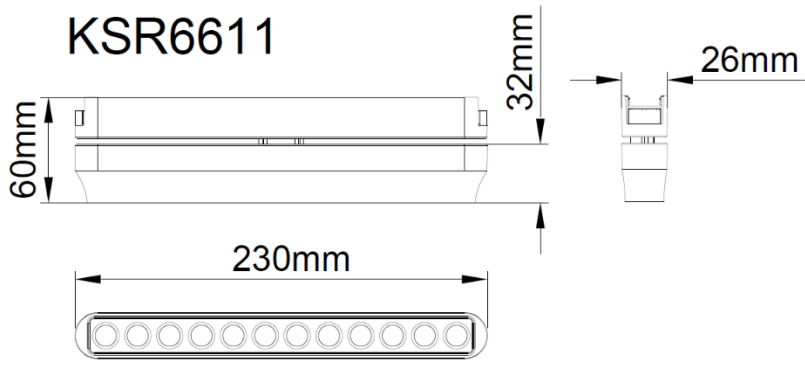


KSR6609

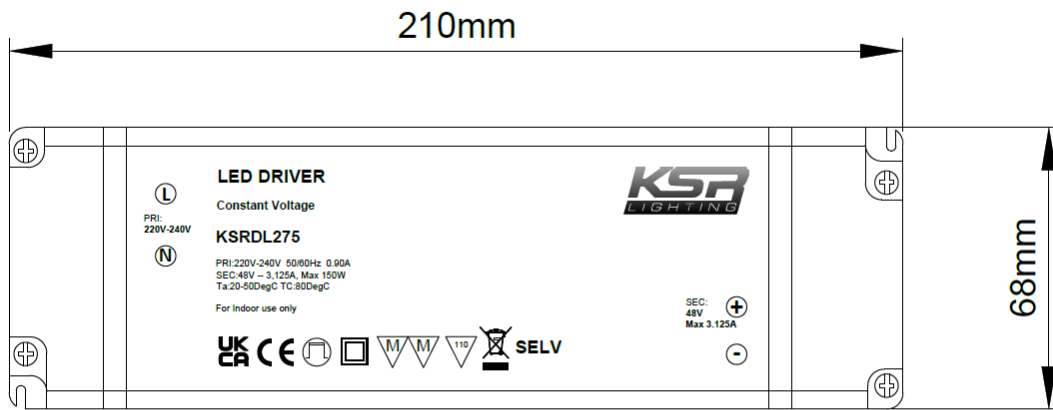


KSR6610





KSRDL275 - Top View



Side View



KSR Lighting is constantly developing and improving its products. For this reason, all product descriptions in this data sheet are intended as a general guide, and this data sheet present only general particulars of the goods to which they refer and shall not form part of any contract. Data in this guide has been obtained in controlled experimental conditions. However, KSR Lighting cannot accept any liability arising from the reliance on such data to the extent permitted.