

# Maxima Dual Wattage & CCT

*Commercial Lighting*

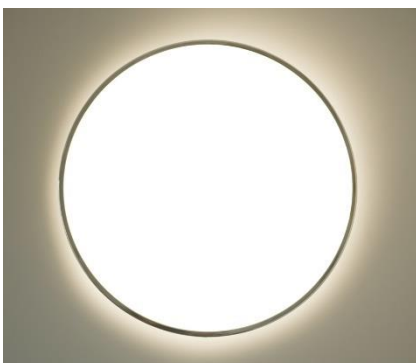


Data Sheet

## Product Information

The KSR Range of **Maxima Dual Wattage** (Medium & Large Only) & **CCT LED** surface fittings are a surface mounted luminaire with an optional **Halo effect trim** attachment in multiple finishes. The range comprises of 3 sizes, small, medium or large which all have **selectable Colour temperatures** of 3000K or 4000K, the medium and large versions also boast dual wattage (Except Large Microwave Version), making the range extremely versatile for internal **domestic, retail and commercial** applications alike.

### KRSF362 With KRSF367 Trim



## Product Features

- 3-year warranty (1 Year for Trims)
- Class II
- IP54
- Colour Temperature selectable 3000K or 4000K
- Dual Wattage\* (Medium Range & Large Standard & EM versions only)
- Up to 3905 Lumens
- Up to 101 Lumens per Circuit Watt
- CRI: Ra83
- 3 sizes to choose from
- Wall or ceiling mountable
- Optional Trim creates halo effect (Surface Mount Only)
- Emergency versions available
- Microwave Corridor Function versions available
- Suspended versions available (contact KSR Sales for details)
- Multiple rim options: Black, White, Chrome, Satin Chrome & Mat Gold
- L70/B10 – 50,000hrs

# Product Specification

Product Code	Product Description	Wattage (W)	CCT (K)	Lumens (lm)		CRI (Ra)	Protection Class
				Without Rim	With Rim		
KSRSF350	Maxima S 12W Dual CCT LED IP54 surface fitting	12W	3000K	1050lm	780lm	83	II
			4000K	1110lm	830lm		
KSRSF351	Maxima S 12W Dual CCT LED IP54 surface fitting c/w Microwave Sensor	12W	3000K	1050lm	780lm	83	II
			4000K	1110lm	830lm		
KSRSF355*	Maxima M 24W Dual Wattage & CCT LED IP54 surface fitting	24W	3000K	2225lm	1855lm	83	II
			4000K	2360lm	1965lm		
		30W	3000K	2635lm	2195lm		
			4000K	2765lm	2305lm		
KSRSF356*	Maxima M 24W Dual Wattage & CCT LED IP54 surface fitting Emergency	24W	3000K	2225lm	1855lm	83	II
			4000K	2360lm	1965lm		
		30W	3000K	2635lm	2195lm		
			4000K	2765lm	2305lm		
KSRSF357*	Maxima M 24W Dual Wattage & CCT LED IP54 surface fitting c/w Microwave Sensor	24W	3000K	2225lm	1855lm	83	II
			4000K	2360lm	1965lm		
		30W	3000K	2635lm	2195lm		
			4000K	2765lm	2305lm		
KSRSF358*	Maxima M 24W Dual Wattage & CCT LED IP54 surface fitting Emergency and Microwave Sensor	24W	3000K	2225lm	1855lm	83	II
			4000K	2360lm	1965lm		
		30W	3000K	2635lm	2195lm		
			4000K	2735lm	2305lm		
KSRSF362*	Maxima L 30W Dual Wattage & CCT LED IP54 surface fitting	30W	3000K	2875lm	2395lm	83	II
			4000K	3045lm	2535lm		
		40W	3000K	3675lm	3065lm		
			4000K	3905lm	3255lm		
KSRSF363*	Maxima L 30W Dual Wattage & CCT LED IP54 surface fitting Emergency	30W	3000K	2875lm	2395lm	83	II
			4000K	3045lm	2535lm		
		40W	3000K	3675lm	3065lm		
			4000K	3905lm	3255lm		
KSRSF364	Maxima L 30W Dual CCT LED IP54 surface fitting c/w microwave sensor	30W	3000K	2720lm	2300lm	83	II
			4000K	2775lm	2415lm		
KSRSF365	Maxima L 30W Dual CCT LED IP54 surface fitting Emergency and Microwave Sensor	30W	3000K	2875lm	2395lm	83	II
			4000K	3045lm	2535lm		
		40W	3000K	3675lm	3065lm		
			4000K	3905lm	3255lm		

Accessories	
KSRSF352	Maxima S White Rim
KSRSF353	Maxima S Chrome Rim
KSRSF354	Maxima S Satin Chrome Rim
KSRSF359	Maxima M White Rim
KSRSF360	Maxima M Chrome Rim
KSRSF361	Maxima M Satin Chrome Rim
KSRSF366	Maxima L White Rim
KSRSF367	Maxima L Chrome Rim
KSRSF368	Maxima L Satin Chrome Rim
KSRSF370	Maxima S Black Rim
KSRSF371	Maxima S Mat Gold Rim
KSRSF372	Maxima M Black Rim
KSRSF373	Maxima M Mat Gold Rim
KSRSF374	Maxima L Black Rim
KSRSF375	Maxima L Mat Gold Rim

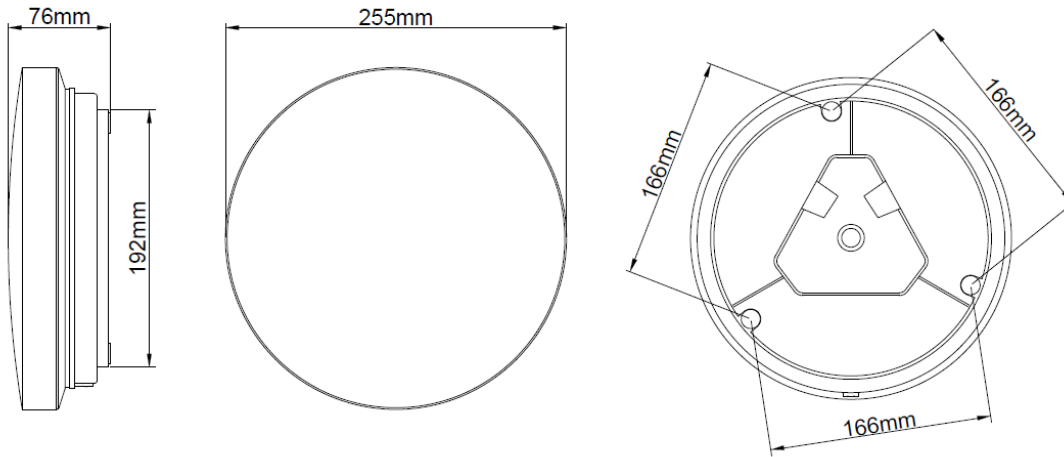
Technical Data	Maxima S	Maxima M	Maxima L
Nominal voltage	200~240VAC	200~240VAC	200~240VAC
Operating frequency	50-60Hz	50-60Hz	50-60Hz
Circuit Wattage	12.6w including Driver Losses	24.6w including driver	29.3w including driver
Circuit Current	0.058	0.112	0.133A
Driver Current Rating	200mA	200mA	200mA
PFC	0.92	0.92	0.93
In Rush Current	0.918A Max peak @ 0-40ms	2.813A Max Peak @ 0-40ms	1.981A Max Peak @ 0-40ms
Start Time	< 0.5 Sec	< 0.5 Sec	< 0.5 Sec
Ambient temperature range	0°C to +30°C	0°C to +30°C	0°C to +30°C
IP rating	54	54	54

## Construction

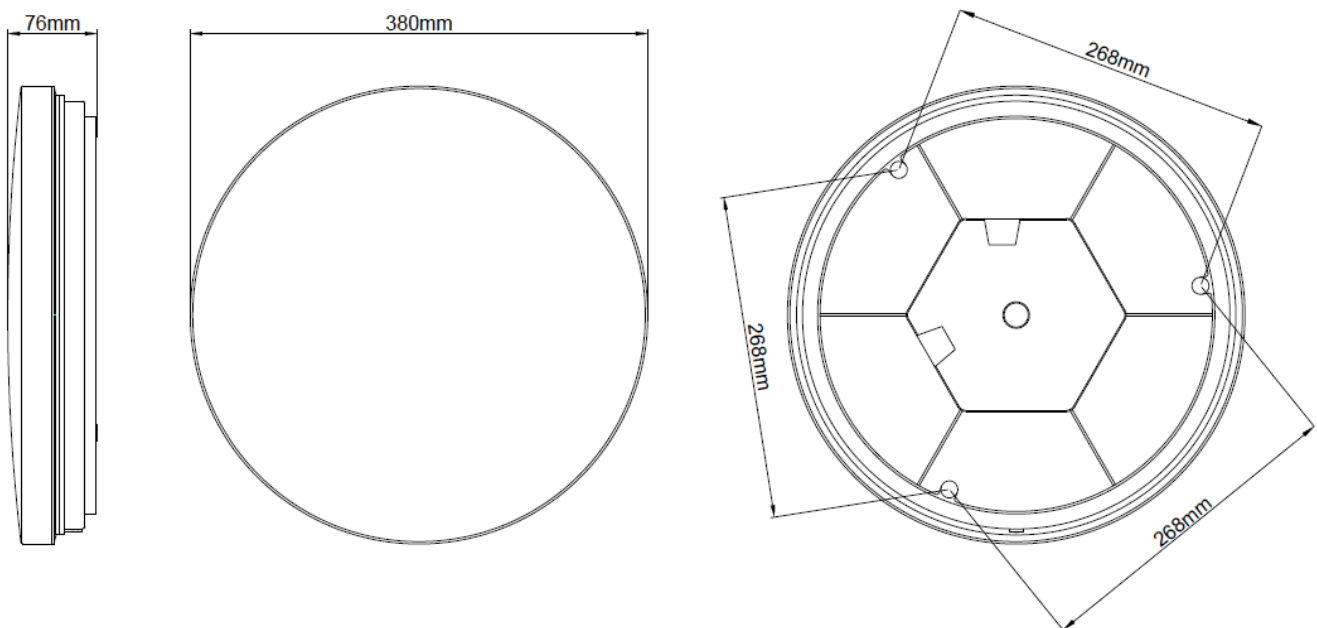
Body:	Polycarbonate
Diffuser:	PMMA
Rim:	ABS

# Product Dimensions

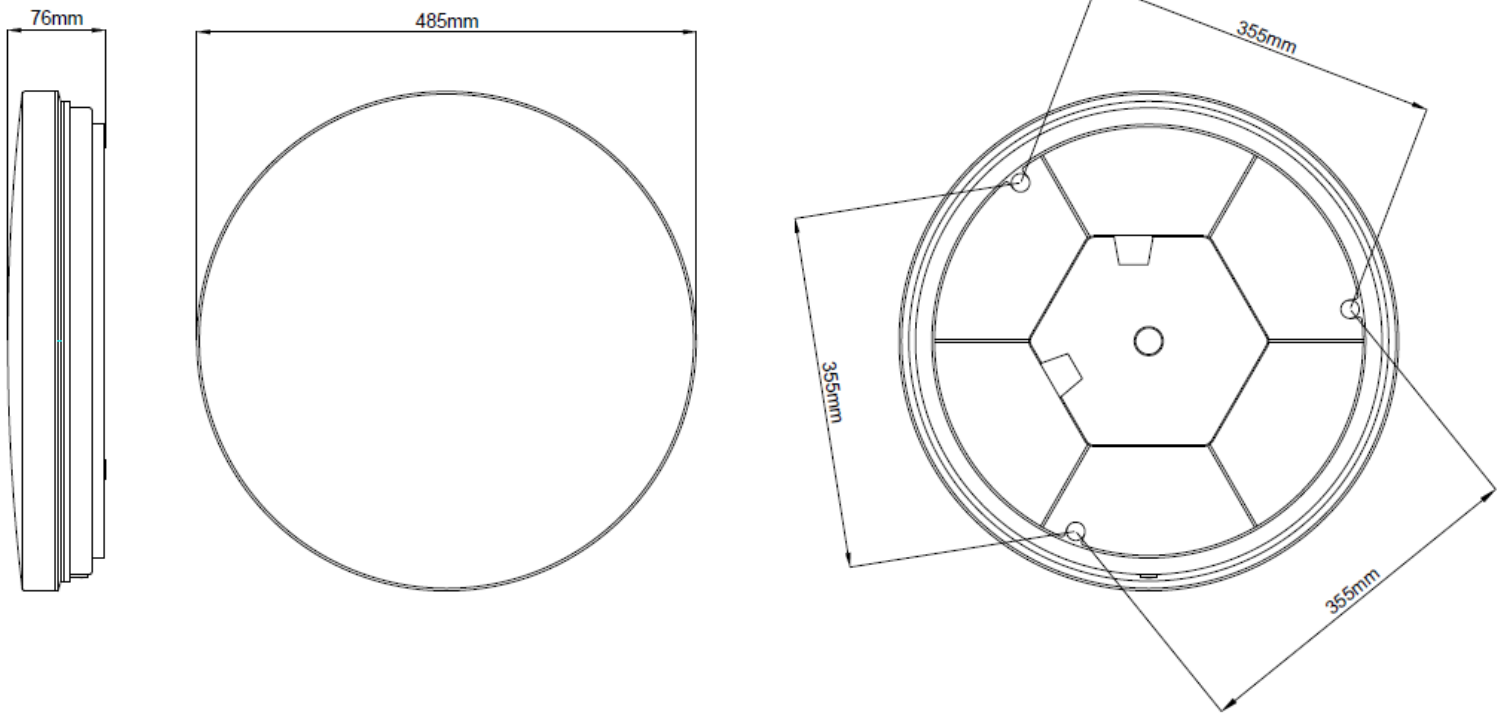
## KRSRF350 - KRSRF351



## KRSRF355 - KRSRF358



**KRSRF362 - KRSRF365**



KSR Lighting is constantly developing and improving its products. For this reason, all product descriptions in this data sheet are intended as a general guide, and KSR may change specifications from time to time in the interest of product development, without prior notification or public announcement. All descriptions in this data sheet present only general particulars of the goods to which they refer and shall not form part of any contract. Data in this guide has been obtained in controlled experimental conditions. However, KSR Lighting cannot accept any liability arising from the reliance on such data to the extent permitted.