

Navara LBX LED Low Bay Range

Commercial Lighting



Data Sheet

Product Information

The **Navara LBX IP65 Linear LED Low Bay** fittings are suitable for a multitude of **Industrial, commercial and retail** applications.

Complemented by the optional **Microwave sensor** this product provides an effective energy saving solution with high efficiency LED technology.

They come complete with a 5 year warranty for your peace of mind.

Shown with Mounting Brackets



Product Features

- 5 year warranty
- Class I
- IP65
- IK10
- 4000K LED
- 3 Sizes & Wattages Available (100W, 150W or 200W)
- Up to 25625 Lumens
- High Efficiency CREE LED Chip technology up to 130 Lumens per Watt
- CRI: >Ra83
- Use as Normal fitting or 1-10V Dimmable
- 118° Beam Angle
- Supplied with 1.5M Suspension Kit
- Supplied with Mounting brackets suitable for jack chain/carabiner clip
- Self-Test or Non-Self-Test Emergency Options Available
- L70 – 40,000hrs

Product Specification

Product Code	Product Description	Wattage (W)	CCT (K)	Lumens (lm)	CRI (Ra)	Energy Efficiency Class	Protection Class
KSR98220	Navara LBX 100w IP65 LED Linear Low Bay	100W	4000K	12655lm	>84	D	I
KSR98221	Navara LBX 150w IP65 LED Linear Low Bay	150W	4000K	19030lm	>84	D	I
KSR98222	Navara LBX 200w IP65 LED Linear Low Bay	200W	4000K	25625lm	>83	D	I

Control Accessories

Product Code	Product Description	Detection Range	Recommended Mounting Heights	Time Delay	Lux Settings	Protection Class
KSR98225	Navara LBX Microwave Sensor Kit	4-10m (radius), adjustable	4-15m	5sec-60min (dipswitch set)	<2-2000lux (dipswitch set)	II

Emergency Options

Product Code	Product Description
KSR98223	Navara LBX Maintained Emergency Pack
KSR98224	Navara LBX Self-Test Maintained Emergency Pack

Technical Information

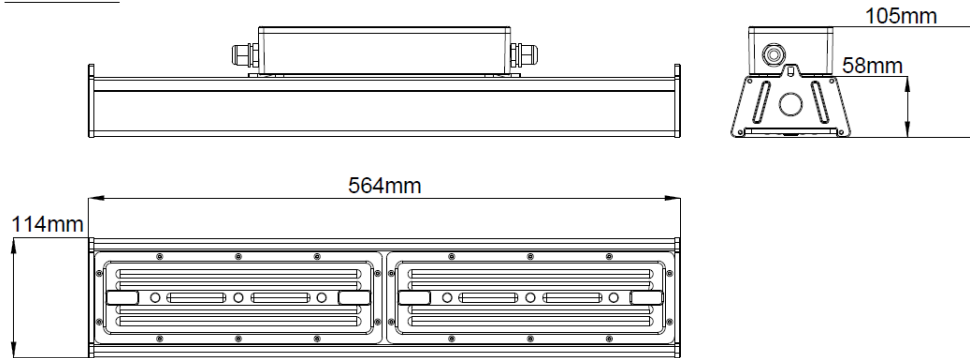
Technical Data	Navara HB 100W	Navara HB 150W	Navara HB 200W
Nominal voltage	200~240VAC	200~240VAC	200~240VAC
Operating frequency	50-60Hz	50-60Hz	50-60Hz
Circuit Wattage	97.2w including Driver Losses	147.1w including driver	198.1w including driver
Circuit Current	0.894 A	0.894 A	0.887 A
Driver Current Rating	TBC	TBC	TBC
PFC	0.98	0.98	0.99
In Rush Current	16A Max peak @ 0-40ms	16A Max Peak @ 0-40ms	16A Max Peak @ 0-40ms
Start Time	< 0.5 Sec	< 0.5 Sec	< 0.5 Sec
Ambient temperature range	-5°C to +30°C	-5°C to +30°C	-5°C to +30°C
IP rating	65	65	65

Construction

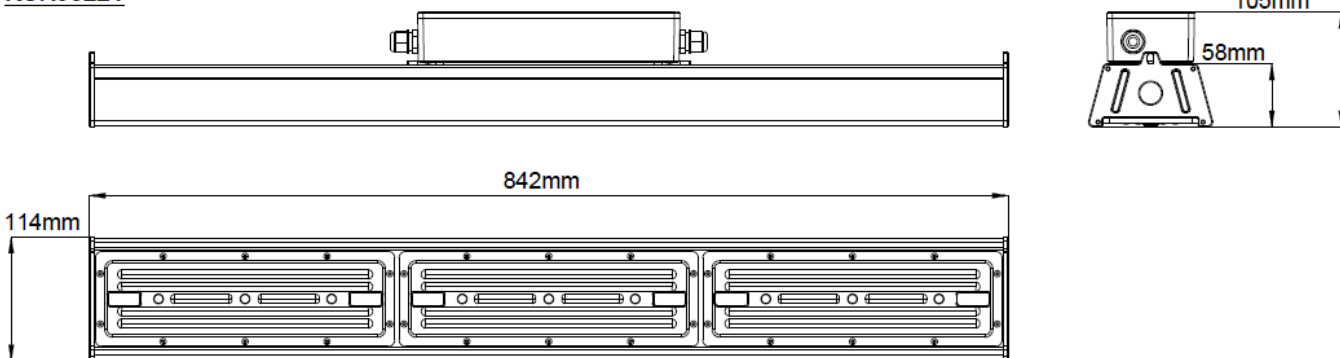
Body: Die Cast Aluminium
Lens: Polycarbonate

Product Dimensions

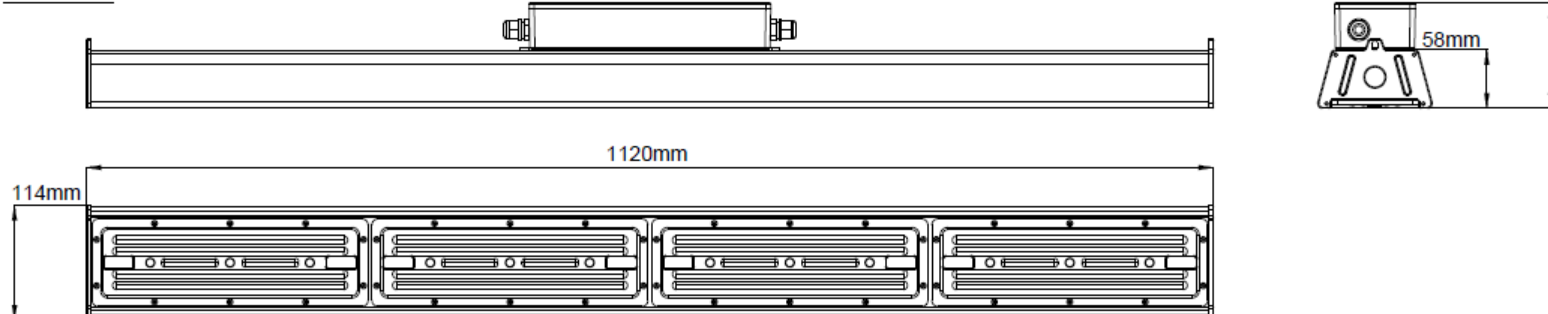
KSR98220



KSR98221



KSR98222



KSR Lighting is constantly developing and improving its products. For this reason, all product descriptions in this data sheet are intended as a general guide, and KSR may change specifications from time to time in the interest of product development, without prior notification or public announcement. All descriptions in this data sheet present only general particulars of the goods to which they refer and shall not form part of any contract. Data in this guide has been obtained in controlled experimental conditions. However, KSR Lighting cannot accept any liability arising from the reliance on such data to the extent permitted.