



Available finish:- Grey

Read these instructions before commencing installation. Please give these instructions to the owner/occupier after installation to retain for future reference/maintenance.

IP65 IK10 0.3m 240V~50Hz 15W-57W

These fittings are Class I and must be Earthed

**Important Information**

It is recommended that these luminaires are installed and fitted by a qualified electrician ensuring the installation complies with current IEE wiring regulations & local building control. These products are designed for connection to a 240V~50Hz supply. Any faulty, broken or damaged luminaires should be replaced immediately. KSR will not accept responsibility for any claims arising from a poor installation. Please Note: The limited warranty shall be deemed null and void in the following circumstances: Failure by the installer, end user or any third party to exercise caution to protect any covered product or part from outside damage, adverse temperature (normal operating ambient temperature 0 - 45°C), humidity conditions, fluctuations in the electrical system or physical abuse as well as failure related to workmanship in the installation of the products or parts.

**Important User Advice**

Always switch off mains supply before servicing. This luminaire is suitable for exterior use, KSR recommends an at least quarterly cleaning schedule to preserve product finish and lumen output. Do not use Megger or similar high voltage instruments. Due to the fact this luminaire contains electronic components that maybe damaged by high test voltages, they must be disconnected from the circuit before testing. To prevent damage to the driver, do not mix with conventional magnetic ballasts on the same electrical circuit. At the end of life the luminaire is classed as WEEE under directive 2014/30/EU and should be disposed of in accordance with local legislation.

**Installation Procedure**

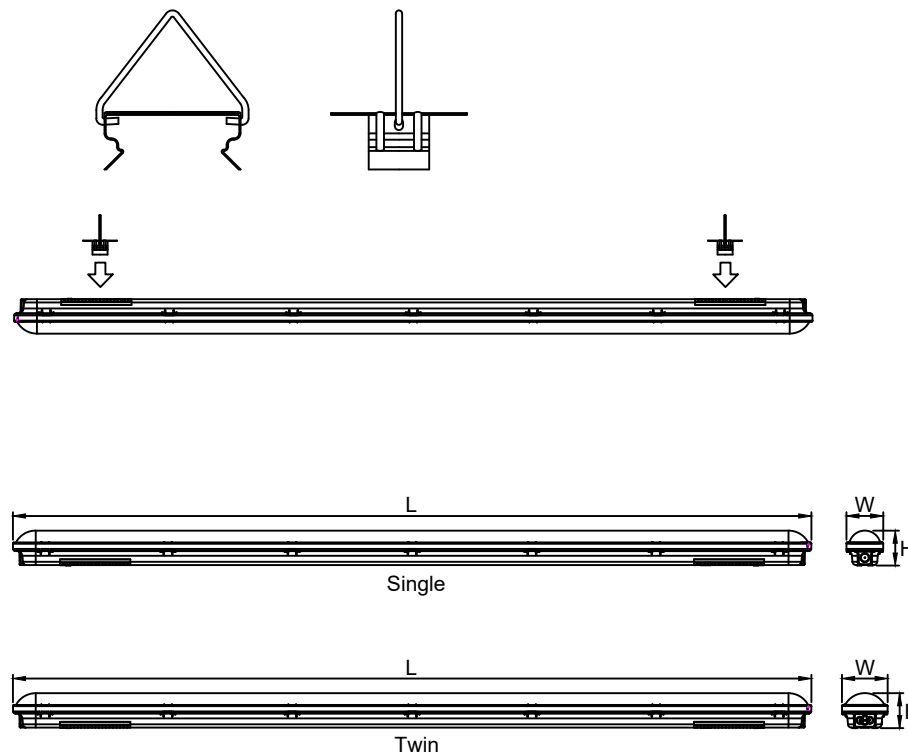
Familiarize yourself with the luminaire/installation procedure and ensure the power is safely isolated before installing the luminaire. Separate the LED array/Diffuser from the main body by unlatching the body retention clips. Fix the fixing clips in place (can be mounted to besa boxes). For any suspension method please use brackets and hangers provided (Fig.1). Never fix through the body of the luminaire as this will compromise the IP rating and invalidate the warranty. Drill and secure the cable gland supplied using any of the marked entry points, route the supply cable 6-12mm round cable only through the cable gland. (Fig.2) Connect the mains wiring, (SL) Switch Live, Neutral (N) and Earth () , please note terminal PL is not used unless using the KSR98189 - 2 in 1 Emergency pack (please follow instructions supplied with KSR98189 for installation). Ensure the cable gland is tightened and creating a water tight seal around the cable. If using a plug and play microwave sensor (available separately) please follow instructions included in the pack.

Switch the CCT switch to the required LED colour and the output switch to the required power. *Never switch the CCT or the wattage while powered on as this can damage the Luminaire.*

Replace LED array/diffuser and secure with retention clips. Turn on the power and test the luminaire

**Please Note LEDs are an inductive load so to avoid unwanted MCB tripping it may be necessary to uprate your breakers.**

Fig. 1



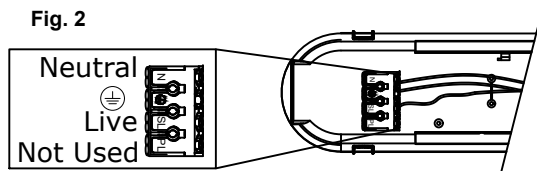
Lamp Details					
Product Code	Description	Dimensions L x W x H	Wattage	Colour	
KSR98180 v2	Navara X4S - IP65 Select 3CCT	1240mm x 89mm x 73mm	15W/19W	3000K/4000K/6000K	
KSR98181 v2	Navara X4T - IP65 Select 3CCT	1240mm x 119mm x 73mm	19W/30W	3000K/4000K/6000K	
KSR98182 v2	Navara X5S - IP65 Select 3CCT	1540mm x 89mm x 73mm	20W/24W	3000K/4000K/6000K	
KSR98183 v2	Navara X5T - IP65 Select 3CCT	1540mm x 119 mm x 73mm	30W/50W	3000K/4000K/6000K	
KSR98184 v2	Navara X6S - IP65 Select 3CCT	1840mm x 89mm x 73mm	30W/35W	3000K/4000K/6000K	
KSR98185 v2	Navara X6T - IP65 Select 3CCT	1840mm x 119mm x 73mm	35W/57W	3000K/4000K/6000K	

*This product contains a light source of energy efficiency class D  
The LED light source and Control Gear in this product can be replaced by a professional.*

KSR Lighting Aftersales: 023 92 674343  
E-mail: aftersales@ksrlighting.com



Fig. 2





Read these instructions before commencing installation. Please give these instructions to the owner/occupier after installation to retain for future reference/maintenance.

IP65 IK10 0.3m 240V~50Hz 15W-57W

These fittings are Class I and must be Earthed

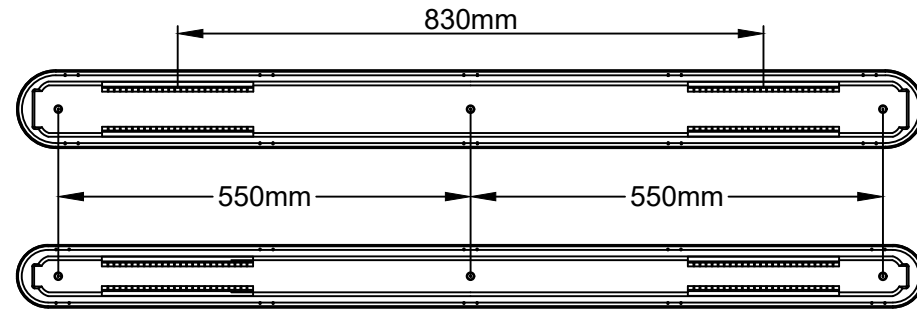
Technical Data

Product Code	Description	Wattage	Colour	Lumens
KSR98180 v2	Navara X4S - IP65 Select 3CCT	15W	3000K	2024
			4000K	2108
			6000K	2014
		19W	3000K	2307
			4000K	2387
			6000K	2260
KSR98181 v2	Navara X4T - IP65 Select 3CCT	19W	3000K	2350
			4000K	2430
			6000K	2500
		30W	3000K	4020
			4000K	3660
			6000K	4180
KSR98182 v2	Navara X5S - IP65 Select 3CCT	20W	3000K	2620
			4000K	2575
			6000K	2728
		24W	3000K	3110
			4000K	3030
			6000K	3198
KSR98183 v2	Navara X5T - IP65 Select 3CCT	30W	3000K	4058
			4000K	3860
			6000K	4037
		50W	3000K	6820
			4000K	6549
			6000K	6738
KSR98184 v2	Navara X6S - IP65 Select 3CCT	30W	3000K	3815
			4000K	3740
			6000K	3875
		35W	3000K	4657
			4000K	4488
			6000K	4718
KSR98185 v2	Navara X6T - IP65 Select 3CCT	35W	3000K	4650
			4000K	4715
			6000K	4750
		57W	3000K	7725
			4000K	7630
			6000K	7877

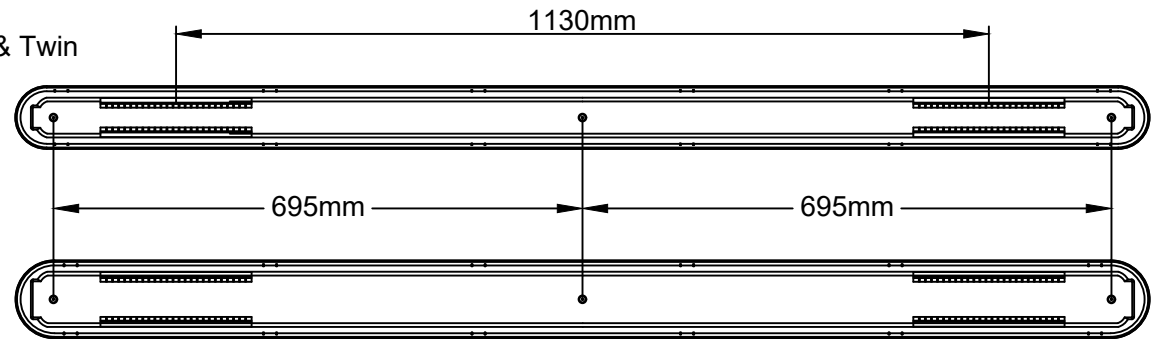
Available finish:- Grey

Ø20mm Rear Knock out & Bracket locations

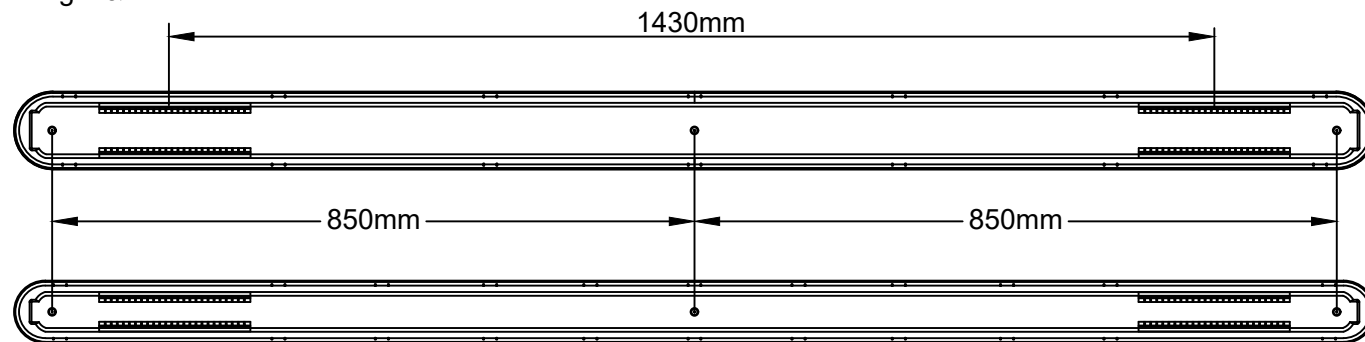
4FT Single & Twin



5FT Single & Twin



6FT Single & Twin



KSR Lighting Aftersales: 023 92 674343  
E-mail: aftersales@ksrlighting.com