



Available finish:- White/Opal

Read these instructions before commencing installation. Please give these instructions to the owner/occupier after installation to retain for future reference/maintenance.

IP20 IK06 240V~50Hz 21W-65W

Important Information

It is recommended that these luminaires are installed and fitted by a qualified electrician ensuring the installation complies with current IEE wiring regulations & local building control. These products are designed for connection to a 240V~50Hz supply. Any faulty, broken or damaged luminaires should be replaced immediately. KSR will not accept responsibility for any claims arising from a poor installation. Please Note: The limited warranty shall be deemed null and void in the following circumstances: Failure by the installer, end user or any third party to exercise caution to protect any covered product or part from outside damage, adverse temperature (normal operating ambient temperature (0 ~ +40°C), humidity conditions, fluctuations in the electrical system or physical abuse as well as failure related to workmanship in the installation of the products or parts.

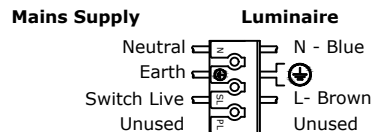
Important User Advice

Always switch off mains supply before servicing. This luminaire is suitable for indoor use only and should not be fitted to damp or wet surfaces such as freshly plastered or painted ceilings. Do not use Megger or similar high voltage instruments. Due to the fact this luminaire contains electronic components that maybe damaged by high test voltages, they must be disconnected from the circuit before testing. To prevent damage to the driver, do not mix with conventional magnetic ballasts on the same electrical circuit. At the end of life the luminaire is classed as WEEE under directive 2014/30/EU and should be disposed of in accordance with local legislation.

Installation Procedure

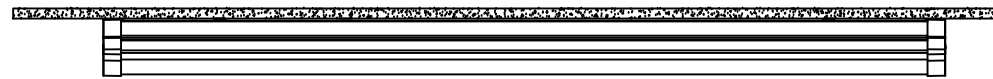
Familiarize yourself with the luminaire and ensure the power is turned off before installing the fitting. Open the diffuser, the diffuser has a lip so working from one end compress the diffuser to release the lip. Remove and keep the end cap fixing screw bag located near the terminal block. Offer the main body up to the ceiling and mark the fixing points. If using surface conduit ensure the besa boxes are at 600mm centres. Secure the main body in place using suitable fixings for the application, dressing the supply cable though either of the three rear entry points using grommet supplied or via the end caps using suitable cable glands. Connect the mains wiring as per the guide below. Switch the CCT switch to the required LED colour and select the required power. *Never switch the CCT or the wattage while powered on as this can damage the Luminaire.* Refit the diffuser by clipping back into place. Install the end cap fixing screws (from end cap fixing bag retained earlier) ensuring not to over tighten. Turn on the power and test the luminaire.

Please Note LEDs are an inductive load so to avoid unwanted MCB tripping it may be necessary to uprate your breakers.

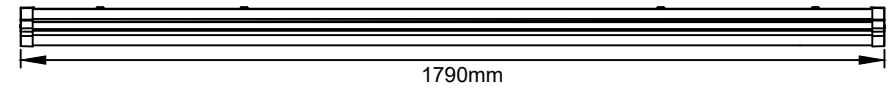
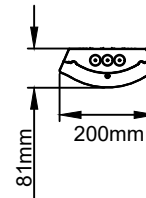
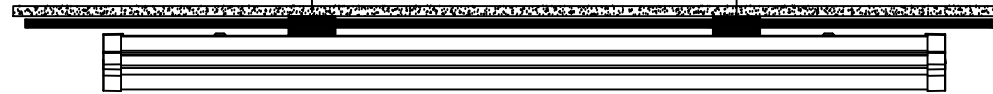


KSR Lighting Ltd, Optimum House, Beeding Close, Southern Cross Trading Estate, Bognor Regis, West Sussex, PO22 9TS.

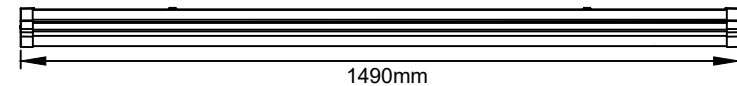
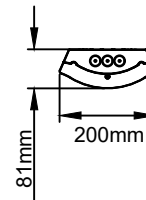
Surface Mount



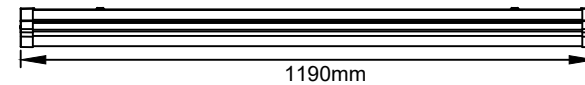
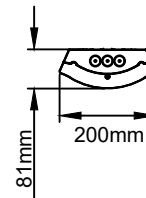
Beza box Mount



KSR98194



KSR98192



KSR98190

This product contains a light source of energy efficiency class E The LED light source and Control Gear in this product can be replaced by a professional.

KSR Lighting Aftersales: 023 92 674343
E-mail: aftersales@ksrlighting.com

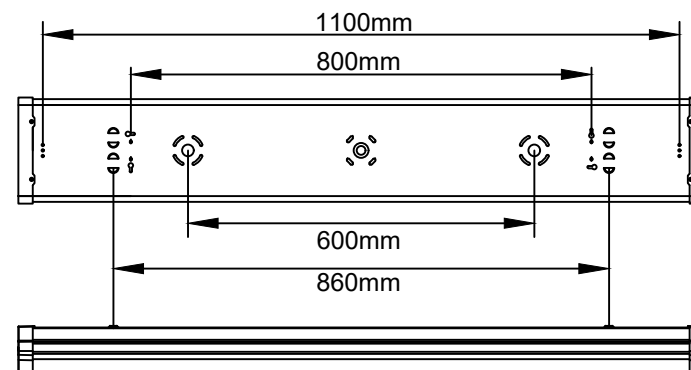


Read these instructions before commencing installation. Please give these instructions to the owner/occupier after installation to retain for future reference/maintenance.

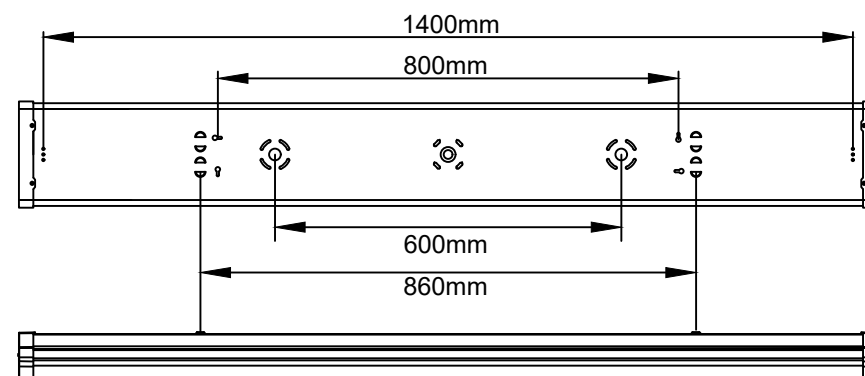
IP20 IK06 0.3m 240V~50Hz 21W-65W

These fittings are Class I and must be Earthed

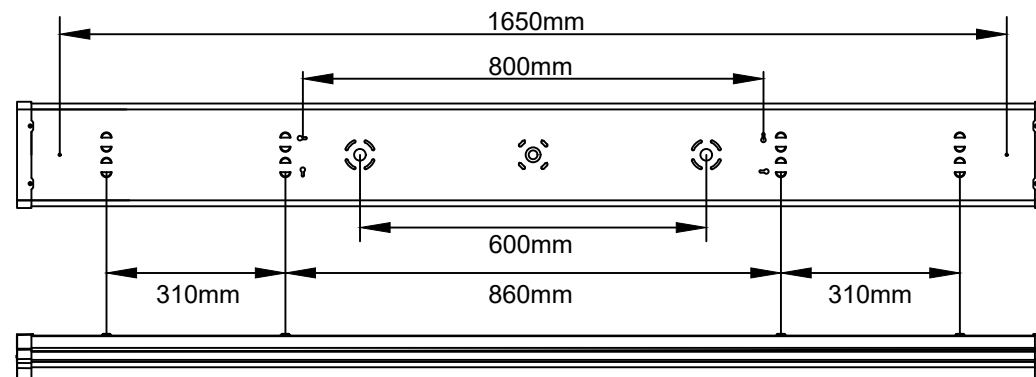
Besa Box & Mounting locations



X4 Version



X5 Version



X6 Version

Product Code	Description	Wattage	Colour	Lumens
KSR98190	Navara X4 Pro - Select 3CCT	21W	3000K	2475
			4000K	2535
			6000K	2520
		27W	3000K	3065
			4000K	3110
			6000K	3090
		32W	3000K	3565
			4000K	3635
			6000K	3590
38W	3000K	4090		
	4000K	4200		
	6000K	4185		
KSR98192	Navara X5 Pro - Select 3CCT	32W	3000K	3725
			4000K	3825
			6000K	3780
		41W	3000K	4770
			4000K	4985
			6000K	4885
		50W	3000K	5820
			4000K	6035
			6000K	5975
		58W	3000K	6760
			4000K	7100
			6000K	6890
KSR98194	Navara X6 Pro - Select 3CCT	36W	3000K	4130
			4000K	4230
			6000K	4105
		46W	3000K	5270
			4000K	5320
			6000K	5295
		55W	3000K	6400
			4000K	6480
			6000K	6450
		65W	3000K	7260
			4000K	7360
			6000K	7320

Warranty

The LED luminaire comes complete with a 60 month warranty from date of purchase unless otherwise stated.



KSR Lighting Aftersales: 023 92 674343
E-mail: aftersales@ksrlighting.com