

# Sorocco II LED Downlight Range

Commercial Downlights



Data Sheet

## Product Information

The **Sorocco II LED Commercial Downlight Range** are dual-wattage and 3CCT, also rated at IP44 and with faceted reflector and prismatic diffuser help Lighting Designers **achieve UGR19** within schemes, they are the Ultimate commercial downlight solution. You can change the colour kelvin via the switch on the back of the luminaire and the output wattage to suit the light level required. Available in **3 sizes covering 6 outputs**.

## Product Features

- 5-year warranty
- IP44 (from the front when installed)
- Class II
- 3 Sizes Available
- Dual Wattage Selectable 6W or 8W, 10W or 15W & 20W or 30W
- 3CCT Selectable, 3000K, 4000K and 6000K
- Up to 2830 Lumens
- High efficiency LEDs up to 100 lumens per Circuit Watt
- CRI: Ra>80
- Beam Angle 70 Deg
- Emergency Self-Test Option Available
- Dimming Options Available on Request  
Dali, DSI, Switch Dim, Corridor Function
- L80/B30 – 50,000hrs



# Product Specification

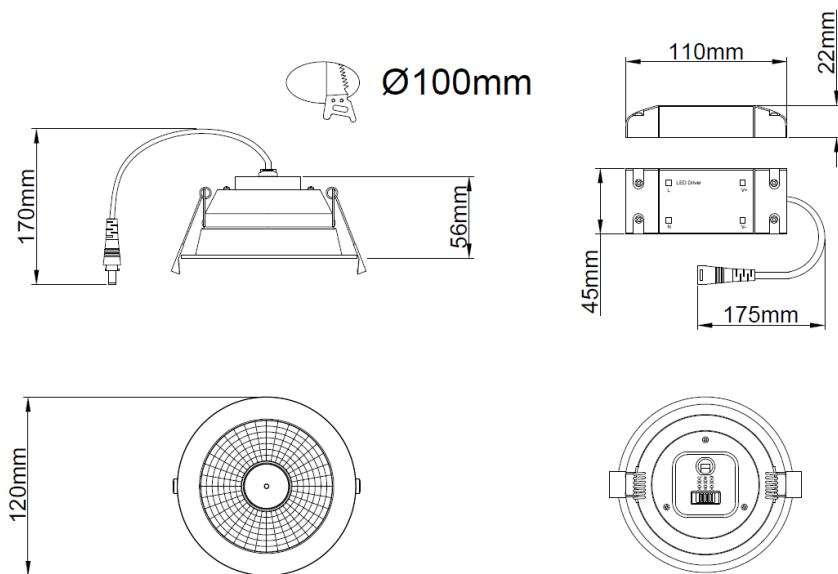
Product Code	Product Description	Wattage (W)	CCT (K)	Lumens (lm)	Beam Angle	CRI (Ra)	Energy Efficiency Class 2021	Protection Class
KSRDL388	Sorocco II S 6W/8W LED Commercial Downlight	6W	3000K	510lm	70°	>80	F	II
			4000K	565lm				
			6000K	530lm				
		8W	3000K	685lm				
			4000K	735lm				
			6000K	765lm				
KSRDL389	Sorocco II M 10W/15W LED Commercial Downlight	10W	3000K	850lm	70°	>80	F	II
			4000K	930lm				
			6000K	920lm				
		15W	3000K	1250lm				
			4000K	1435lm				
			6000K	1375lm				
KSRDL390	Sorocco II L 20W/30W LED Commercial Downlight	20W	3000K	1785lm	70°	>80	F	II
			4000K	2005lm				
			6000K	1925lm				
		30W	3000K	2516lm				
			4000K	2830lm				
			6000K	2785lm				

Nominal voltage	220~240VAC
Operating frequency	50Hz
Ambient temperature range	0°C~+35°C
Start time	< 0.5 sec
IP rating	44

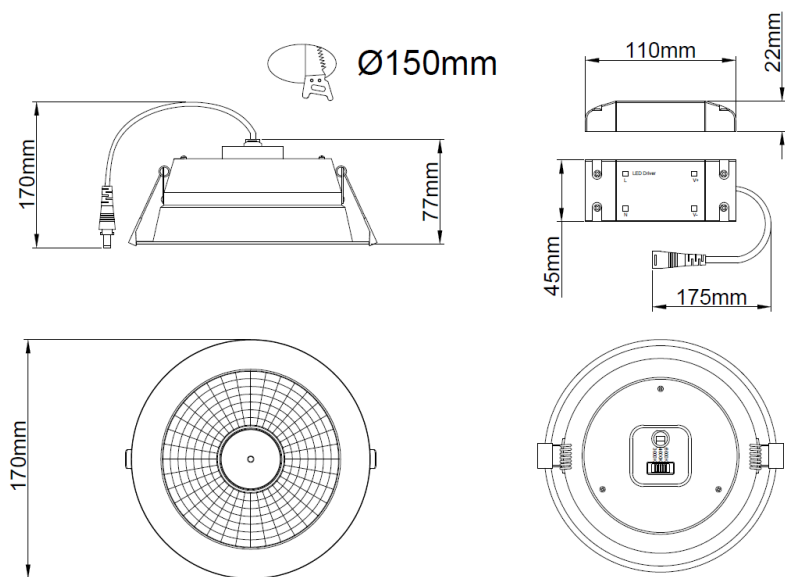
Product Code	Total Circuit Power	Circuit Current (A)	Driver (mA)	Power Factor (PF)	In Rush Current
KSRDL388 – 6W	5.5w including driver losses	0.035	150mA	0.66	0.198A Max Peak
KSRDL388 – 8W	7.5w including driver losses	0.043	230mA	0.72	0.469A Max Peak
KSRDL389 – 10W	9.5w including driver losses	0.051	250mA	0.77	1.922A Max Peak
KSRDL389 – 15W	13.6w including driver losses	0.071	350mA	0.81	2.401A Max Peak
KSRDL390 – 20W	18.8w including driver losses	0.089	500mA	0.90	2.350A Max Peak
KSRDL390 – 30W	27.6w including driver losses	0.125	700mA	0.94	1.425A Max Peak

# Product Dimensions

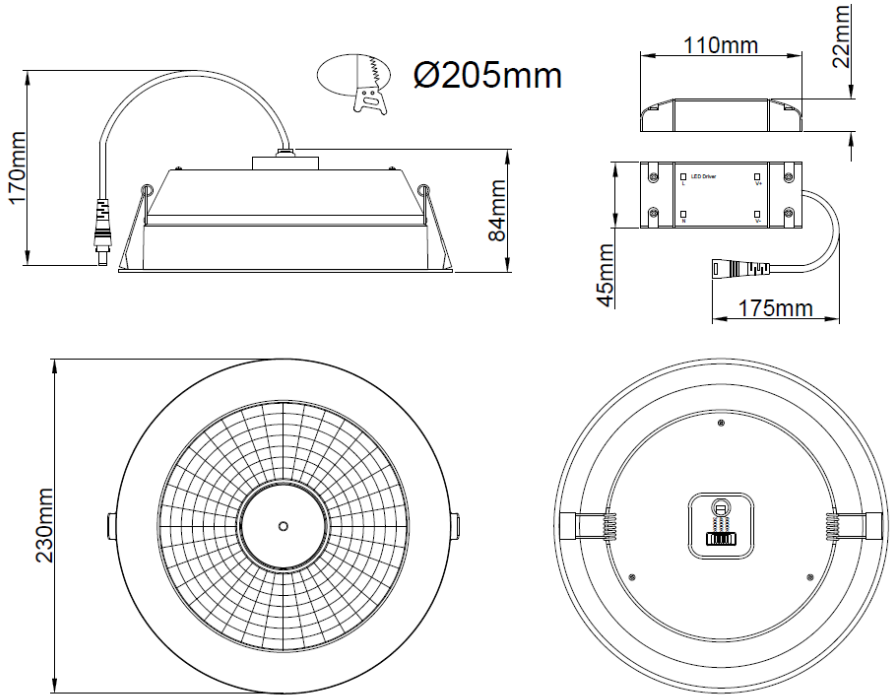
## KSRDL388 - 6W & 8W Downlight



## KSRDL389 - 10W & 15W Downlight



# KSRDL390 - 20W & 30W Downlight



KSR Lighting is constantly developing and improving its products. For this reason, all product descriptions in this data sheet are intended as a general guide, and KSR may change specifications from time to time in the interest of product development, without prior notification or public announcement. All descriptions in this data sheet present only general particulars of the goods to which they refer and shall not form part of any contract. Data in this guide has been obtained in controlled experimental conditions. However, KSR Lighting cannot accept any liability arising from the reliance on such data to the extent permitted.