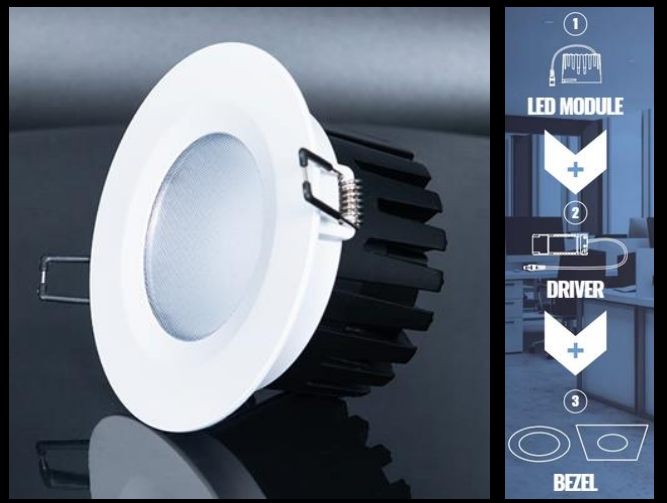


# Qr Pro Commercial Range

Commercial Downlights



Data Sheet

## Product Information

The **Qr Pro Commercial** range of **modular** fittings are suitable for commercial and retail applications alike. Installation is designed to be **quick and easy** with plug & play connections between the LED module and driver and loop in / out mains connections, with **3 wattages** in either **3000K or 4000K** and a **multitude of rim** options to choose from this range is well suited to the commercial or Retail sector, **3 parts make each fitting**, the LED Module (choose from 3 wattages) the LED Driver and Rim (choose from 6 variations).

**Step 1.** – Choose the LED Module (13W, 18W or 26W in 3000K or 4000K).



**Step 2.** – Select the LED Driver (13W, 18W or 26W).



**Step 3.** – Choose your Rim Option (KSRDL507-518).



## Product Features

- 3 year warranty
- Class II
- IP44 (Except Tilt Rims\*IP20)
- 13W, 18W & 26W LED Outputs Available
- High efficiency up to 110 lumens per circuit watt
- Available in 3000K and 4000K colour temperatures
- 55 Deg Beam Angle
- Up to CRI: Ra92
- Minimum / Maximum Void Depth Required 100mm / 125mm (Bezel Dependant)
- Black or White Finish
- Emergency versions are Self-Test as standard
- Dimmable options available to order
- Round or Square Fixed, Tilt and Baffle Rims available
- L70/B10 - 50,000 hours

# Product Specification

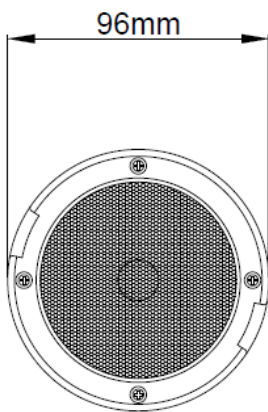
Product Code	Product Description	Wattage (W)	CCT (K)	Lumens (lm)	CRI (Ra)	Energy Efficiency Class	Protection Class
<b>LED Modules</b>							
KSRDL500	Qr Pro Commercial 13W 3000K LED Module	13W	3000k	1200lm	92	D	II
KSRDL501	Qr Pro Commercial 13W 4000K LED Module	13W	4000k	1320lm	92	D	II
KSRDL502	Qr Pro Commercial 18W or 26W (Driver dependable) 3000K LED Module	18W	3000K	1830lm	93	D	II
		26W	3000K	2465lm			
KSRDL503	Qr Pro Commercial 18W or 26W (Driver dependable) 4000K LED Module	18W	4000K	1975lm	93	D	II
		26W	4000K	2545lm			
<b>LED Drivers</b>							
KSRDL504	Qr Pro Commercial 13W LED Non-Dimmable Driver	13W					II
KSRDL504/EM	Qr Pro Commercial 13W LED Non-Dimmable Driver with Self-Test Emergency	13W					II
KSRDL505	Qr Pro Commercial 18W LED Non-Dimmable Driver	18W					II
KSRDL505/EM	Qr Pro Commercial 18W LED Non-Dimmable Driver with Self-Test Emergency	18W					II
KSRDL506	Qr Pro Commercial 26W LED Non-Dimmable Driver	26W					II
KSRDL506/EM	Qr Pro Commercial 26W LED Non-Dimmable Driver with Self-Test Emergency	26W					II
<b>Rim Options</b>							
KSRDL507	Qr Pro Commercial Round Fixed Bezel White						
KSRDL508	Qr Pro Commercial Round Fixed Bezel Black						
KSRDL509	Qr Pro Commercial Round Baffle Bezel White						
KSRDL510	Qr Pro Commercial Round Baffle Bezel Black						
KSRDL511*	Qr Pro Commercial Round Tilt Bezel White (18 Deg Tilt)						
KSRDL512*	Qr Pro Commercial Round Tilt Bezel Black (18 Deg Tilt)						
KSRDL513	Qr Pro Commercial Square Fixed Bezel White						
KSRDL514	Qr Pro Commercial Square Fixed Bezel Black						
KSRDL515	Qr Pro Commercial Square Baffle Bezel White						
KSRDL516	Qr Pro Commercial Square Baffle Bezel Black						
KSRDL517*	Qr Pro Commercial Square Tilt Bezel White (18 Deg Tilt)						
KSRDL518*	Qr Pro Commercial Square Tilt Bezel Black (18 Deg Tilt)						

Product Code	Circuit Current (A)		Driver (mA)		Power Factor (PF)		In Rush Current	
	3000K	4000K	3000K	4000K	3000K	4000K	3000K	4000K
KSRDL504	0.059A	0.059A	330mA	330mA	0.94	0.94	1.829A Max Peak	1.659A Max Peak
KSRDL505	0.082A	0.083A	460mA	460mA	0.95	0.95	2.217A Max Peak	1.608A Max Peak
KSRDL506	0.119A	0.119A	650mA	650mA	>0.95	>0.95	2.41A Max Peak	2.757A Max Peak

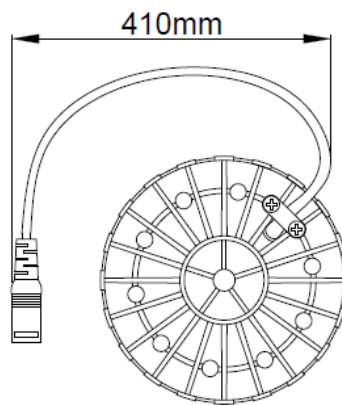
Nominal voltage	220~240VAC
Operating frequency	50-60Hz
Ambient temperature range	0°C~+30°C
Start time	< 0.5 sec
Beam angle	55°
IP rating	44

## Product Dimensions

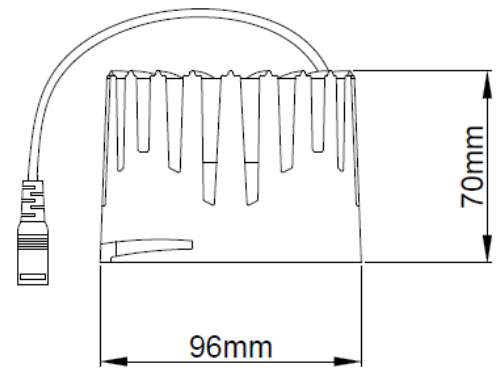
### KSRDL500 - KSRDL503



Front View.



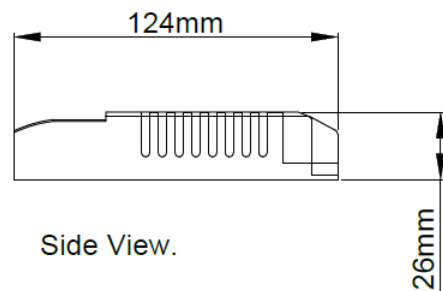
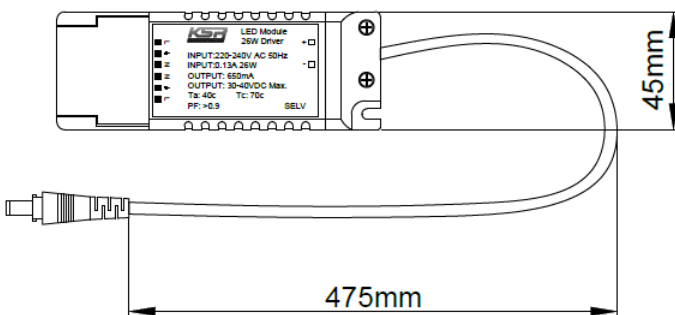
Top View.



Side View.

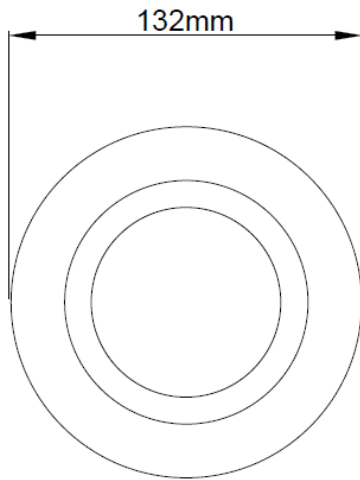
### KSRDL504 - KSRDL506

Top View.

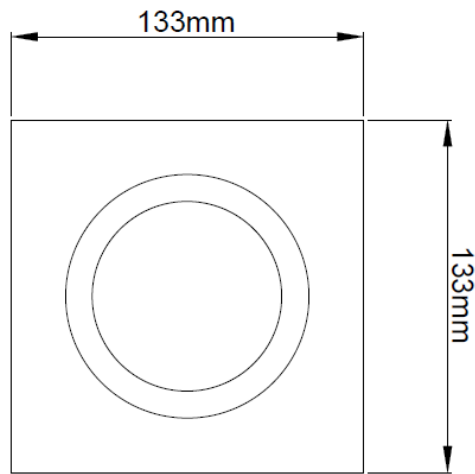


Side View.

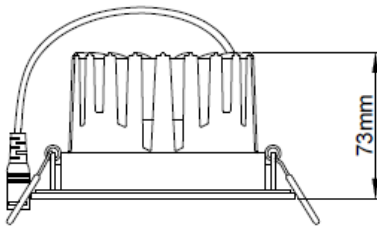
## KSRDL507 - KSRDL512



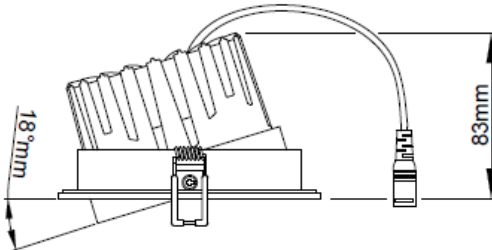
## KSRDL507 - KSRDL512



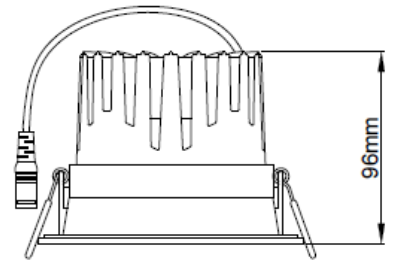
### KSRDL500 - KSRDL503 Shown with Fixed Bezel.



### KSRDL500 - KSRDL503 Shown with Tilt Bezel.



### KSRDL500 - KSRDL503 Shown with Baffle Bezel.



KSR Lighting is constantly developing and improving its products. For this reason, all product descriptions in this data sheet are intended as a general guide, and KSR may change specifications from time to time in the interest of product development, without prior notification or public announcement. All descriptions in this data sheet present only general particulars of the goods to which they refer and shall not form part of any contract. Data in this guide has been obtained in controlled experimental conditions. However, KSR Lighting cannot accept any liability arising from the reliance on such data to the extent permitted.