

# Mimas Mini LED Downlight Range

Residential Lighting

Data Sheet



## Product Information

Mimas **Mini LED recessed** downlights are ideal for lighting in bathrooms, coves, canopies and feature lighting. Also **Suitable for External use** and with **Tilt & Baffle** versions as well as straight down they are perfect for any smaller space where lighting is required.

**KSRDL470**



**KSRDL472**



**KSRDL274**



## Product Features

- 2-year warranty
- IP65
- Class III
- 3W LED
- Available in 3000K and 4000K
- 51° Beam Angle
- Black, White finishes and AISI 304 Stainless Steel available
- 3 versions to choose from a fixed, Tilt and Baffle Rim option.
- Requires 24V constant voltage driver
- 4W Mini driver to fit through cut-out (KSRDL274)
- Must be wired in Parallel.
- Mains Dimmable when used with KSRDL292 or KSRDL293 (see [www.ksrlighting.com](http://www.ksrlighting.com) for compatible dimmer lists)
- L70/B30 – 30,000hr

# Product Specification

Product Code	Product Description		CCT (K)	Lumens (lm)	Protection Class
KSRDL460	Mimas Mini 3W LED 3000K Fixed Downlight White		3000K	120lm	III
KSRDL461	Mimas Mini 3W LED 4000K Fixed Downlight White		4000K	154lm	III
KSRDL462	Mimas Mini 3W LED 3000K Fixed Downlight Black		3000K	97lm	III
KSRDL463	Mimas Mini 3W LED 4000K Fixed Downlight Black		4000K	112lm	III
KSRDL464	Mimas Mini 3W LED 3000K Fixed Downlight Stainless Steel		3000K	131lm	III
KSRDL465	Mimas Mini 3W LED 4000K Fixed Downlight Stainless Steel		4000K	146lm	III
KSRDL466	Mimas Mini 3W LED 3000K Tilt Downlight White		3000K	136lm	III
KSRDL467	Mimas Mini 3W LED 4000K Tilt Downlight White		4000K	136lm	III
KSRDL468	Mimas Mini 3W LED 3000K Tilt Downlight Black		3000K	107lm	III
KSRDL469	Mimas Mini 3W LED 4000K Tilt Downlight Black		4000K	116lm	III
KSRDL470	Mimas Mini 3W LED 3000K Tilt Downlight Stainless Steel		3000K	128lm	III
KSRDL471	Mimas Mini 3W LED 4000K Tilt Downlight Stainless Steel		4000K	144lm	III
KSRDL472	Mimas Mini 3W LED 3000K Baffle Downlight White		3000K	116lm	III
KSRDL473	Mimas Mini 3W LED 4000K Baffle Downlight White		4000K	138lm	III
KSRDL474	Mimas Mini 3W LED 3000K Baffle Downlight Black		3000K	108lm	III
KSRDL475	Mimas Mini 3W LED 4000K Baffle Downlight Black		4000K	104lm	III
<b>Accessories</b>					
KSRDL274	4W Mini 24V Constant Voltage IP65 LED Driver (1 driver per fitting)	4W Max			II
KSRDL287	20W 24V Constant Voltage IP67 rated LED driver (up to 5 fittings)	20W Max			II
KSRDL288	60W 24V Constant Voltage IP67 rated LED driver (up to 15 fittings)	60W Max			II
KSRDL292	25W 24V Dimmable Constant Voltage IP20 rated LED driver (up to 8 fittings)	25W Max			II
KSRDL293	50W 24V Dimmable Constant Voltage IP20 rated LED driver (8 – 12 fittings)	50W Max			II

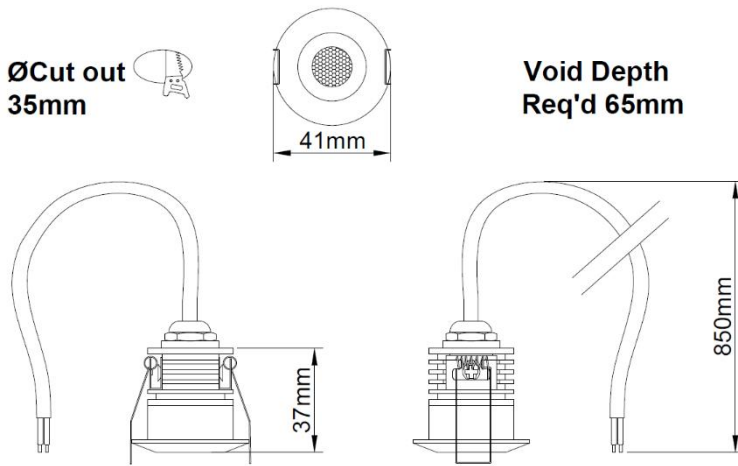
Nominal voltage	24VDC
Operating frequency	N/A
Circuit Wattage	3.8W (Typical consumption)
Circuit Current	0.05A
Driver Current rating	24VDC
PFC	0.3
In Rush Current	Dependant on driver specification
Ambient temperature range	0°C~+35°C
Start time	< 0.5 sec
IP rating	65

## Construction

Body: Cast Aluminium  
Rim: Cast Aluminium or AISI 304L Stainless Steel

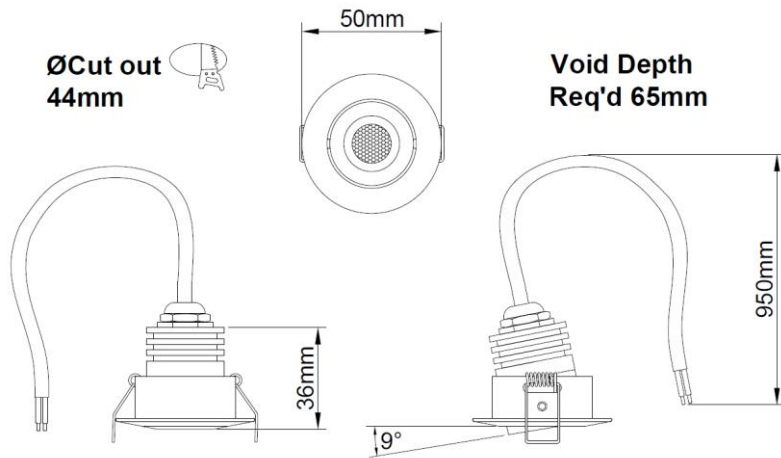
## Product Dimensions

### KSRDL460-465



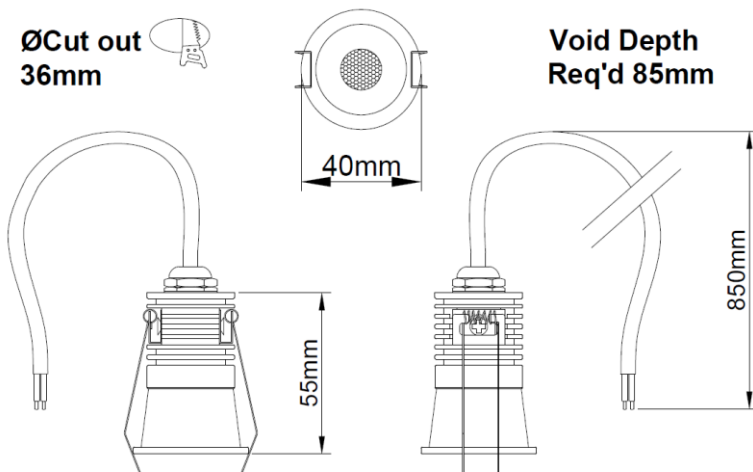
Please Note These fittings must be wired In Parallel

**KSRDL466-471**



**Please Note These fittings must be wired In Parallel**

**KSRDL472-475**



**Please Note These fittings must be wired In Parallel**

KSR Lighting is constantly developing and improving its products. For this reason, all product descriptions in this data sheet are intended as a general guide, and KSR may change specifications from time to time in the interest of product development, without prior notification or public announcement. All descriptions in this data sheet present only general particulars of the goods to which they refer and shall not form part of any contract. Data in this guide has been obtained in controlled experimental conditions. However, KSR Lighting cannot accept any liability arising from the reliance on such data to the extent permitted.