

# KSRFRD400, 410 & 415 Qr GU10 Range

Fire Rated Downlights & Bezels



## Product Information

The **FireBreak Qr GU10** range of downlights are the perfect for any area, including bathrooms using the optional **IP65 bezel**. Included in the range are **IP20 standard** or **Tilttable** versions that are ideal for wall washing or highlighting areas. **Baffled versions** are perfect for accent lighting with low glare but still a good output. Suitable for the **KSRLP960 – KSRLP963**, 6W dimmable GU10 LED Lamps by KSR Lighting

## Product Features

- 1 year warranty
- Class I
- 10W GU10 LED lamp maximum
- IP20 or IP65 downlights (IP20 if used with KSRFRD416 & 418)
- IP20 Tilttable downlights
- Baffle Bezels available
- Fully tested for 30, 60 and 90 minute fire rated ceilings (except if used with KSRFRD416 & 418)
- 8 colour bezel options
- Bezel and body purchased separately to save stock holding
- Lamp not supplied
- Ensure the LED lamp is suitable for use in enclosed cans
- Suitable for KSRLP960 – KSRLP963

# Product Specification

Product Code	Product Description	Wattage (W)	Lamp Cap	Energy Efficiency Class	Protection Class	Pack Qty
KSRFRD400	Fire Rated GU10 LED Downlight (Bezel not supplied)	10	GU10	Lamp Dependant	I	50
KSRFRD401	IP20 White Bezel for KSRFRD400 Downlight					10
KSRFRD402	IP20 Chrome Bezel for KSRFRD400 Downlight					10
KSRFRD403	IP20 Satin Chrome Bezel for KSRFRD400 Downlight					10
KSRFRD404	IP65 White Bezel for KSRFRD400 Downlight					10
KSRFRD405	IP65 Chrome Bezel for KSRFRD400 Downlight					10
KSRFRD406	IP65 Satin Chrome Bezel for KSRFRD400 Downlight					10
KSRFRD407	IP20 Black Bezel for KSRFRD400 Downlight					10
KSRFRD408	IP20 Brass Bezel for KSRFRD400 Downlight					10
KSRFRD409	IP20 Copper Bezel for KSRFRD400 Downlight					10
KSRFRD410	Fire Rated GU10 LED Tilt Downlight Can (Bezel not supplied)	10	GU10	Lamp Dependant	I	50
KSRFRD411	IP20 White Tilt Bezel for KSRFRD410 Downlight					10
KSRFRD412	IP20 Chrome Tilt Bezel for KSRFRD410 Downlight					10
KSRFRD413	IP20 Satin Chrome Tilt Bezel for KSRFRD410 Downlight					10
KSRFRD414	IP20 Black Tilt Bezel for KSRFRD410 Downlight					10
KSRFRD415	Firebreak GU10 Qr Pro Baffle Downlight Can (Baffle & Bezel not included)	10	GU10	Lamp Dependant	I	1
KSRFRD416	Trimless Bezel for KSRFRD400 Downlight					10
KSRFRD417	IP20 Copper Tilt Bezel for KSRFRD410 Downlight					10
KSRFRD418	Firebreak Qr GU10 Convertor Plate White	IP20 – All versions become IP20 when used with this				1
KSRFRD419	IP65 Black Bezel for KSRFRD400 Downlight					10
KSRFRD420	IP20 Antique Brass Bezel for KSRFRD400 Downlight					10
KSRFRD421	IP20 Satin Brass Bezel for KSRFRD400 Downlight					10
KSRFRD422	IP20 Antique Brass Tilt Bezel for KSRFRD410 Downlight					10
KSRFRD423	IP20 Satin Brass Tilt Bezel for KSRFRD410 Downlight					10
<b>Baffled Bezels for KSRFRD415</b>						
KSRDL425	IP20 Firebreak Qr Pro White Bezel with White Baffle for KSRFRD415					1
KSRDL426	IP20 Firebreak Qr Pro White Bezel with Black Baffle for KSRFRD415					1
KSRDL427	IP20 Firebreak Qr Pro White Bezel with Chrome Baffle for KSRFRD415					1
KSRDL428	IP20 Firebreak Qr Pro White Bezel with Matt Gold Baffle for KSRFRD415					1
KSRDL429	IP20 Firebreak Qr Pro White Bezel with Rose Gold Baffle for KSRFRD415					1
KSRDL430	IP20 Firebreak Qr Pro Black Bezel with Black Baffle for KSRFRD415					1
KSRDL431	IP20 Firebreak Qr Pro Black Bezel with Chrome Baffle for KSRFRD415					1
KSRDL432	IP20 Firebreak Qr Pro Black Bezel with Matt Gold Baffle for KSRFRD415					1
KSRDL433	IP20 Firebreak Qr Pro Black Bezel with Rose Gold Baffle for KSRFRD415					1
KSRDL434	IP20 Firebreak Qr Pro Chrome Bezel with Black Baffle for KSRFRD415					1
KSRDL435	IP20 Firebreak Qr Pro Satin Chrome Bezel with Black Baffle for KSRFRD415					1
<b>LED Lamps Available for all Firebreak GU10 Qr Downlight Cans</b>						
KSRLP960	6W GU10 2700K Dimmable LED Lamp					1
KSRLP961	6W GU10 3000K Dimmable LED Lamp					1
KSRLP962	6W GU10 4000K Dimmable LED Lamp					1
KSRLP963	6W GU10 3CCT Dimmable LED Lamp					1

Nominal voltage  
Operating frequency

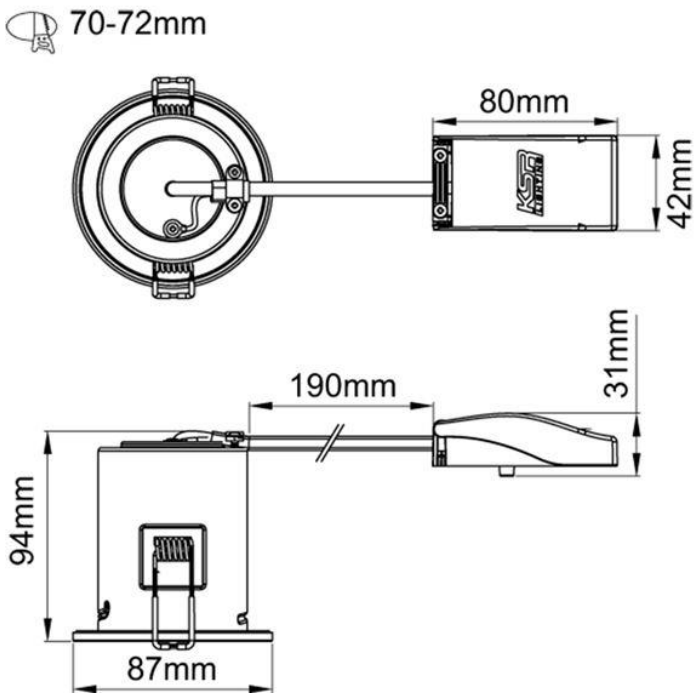
220~240V  
50-60Hz

## Construction

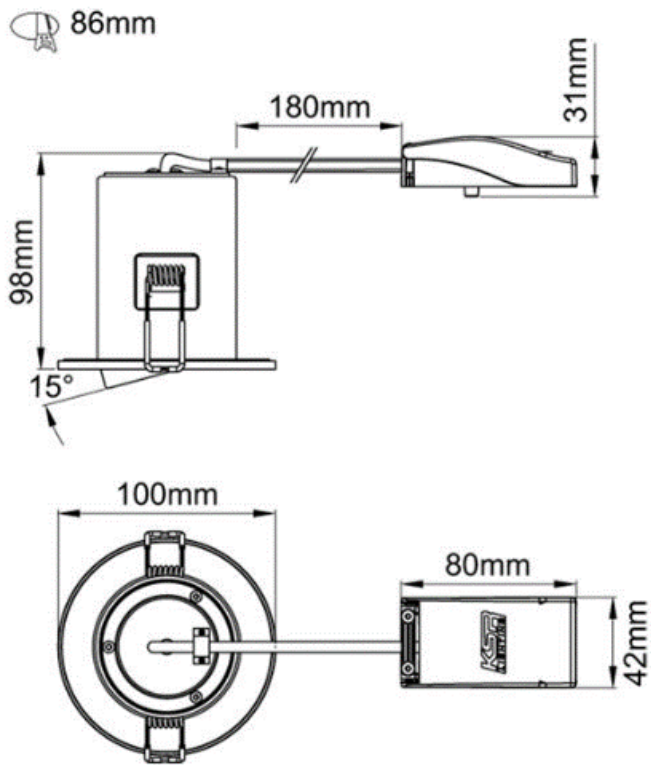
Body Steel Body  
Bezel Polycarbonate and Aluminium for Tilt versions.

## Product Dimensions

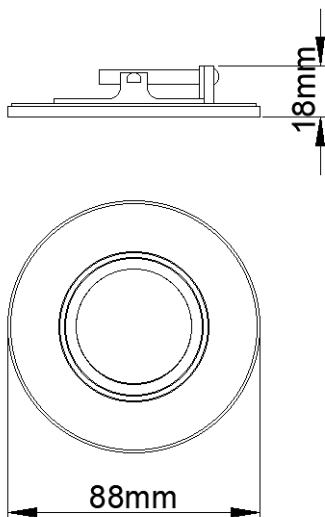
### KSRFRD400



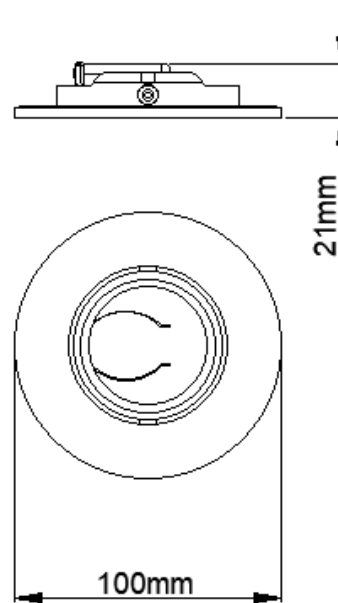
**KSRFRD410**



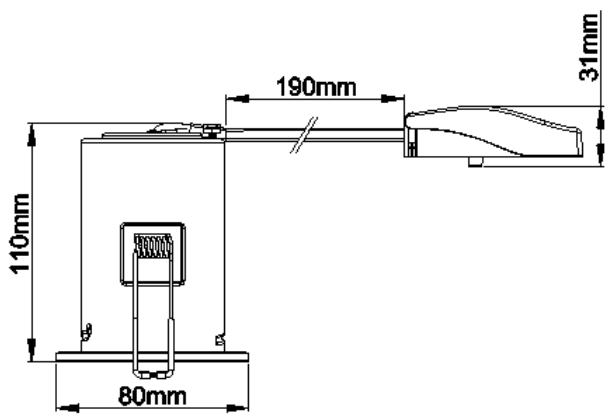
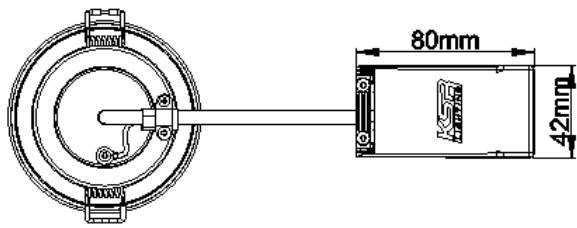
**KSRFRD401-03/404-406/407-09/419-421**



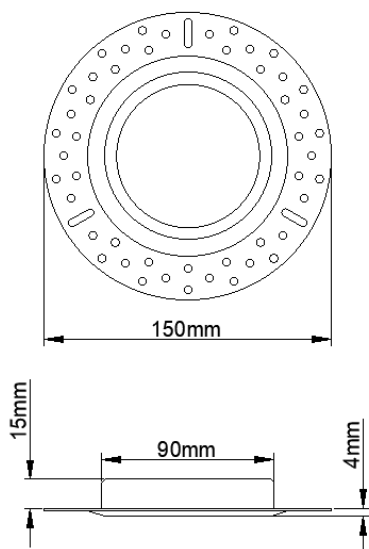
**KSRFRD411-14/417**



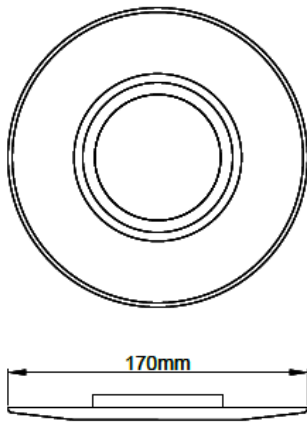
**KSRFRD415**



**KSRFRD416**



**KSRFRD418**



KSR Lighting is constantly developing and improving its products. For this reason, all product descriptions in this data sheet are intended as a general guide, and KSR may change specifications from time to time in the interest of product development, without prior notification or public announcement. All descriptions in this data sheet present only general particulars of the goods to which they refer and shall not form part of any contract. Data in this guide has been obtained in controlled experimental conditions. However, KSR Lighting cannot accept any liability arising from the reliance on such data to the extent permitted.