



Available finish:- Black Only

Read these instructions before commencing installation. Please give these instructions to the owner/occupier after installation to retain for future reference/maintenance.

IP65 240VAC~50Hz - Up to 14.4W Per Metre

These fittings are Class I and must be Earthed

Important Information

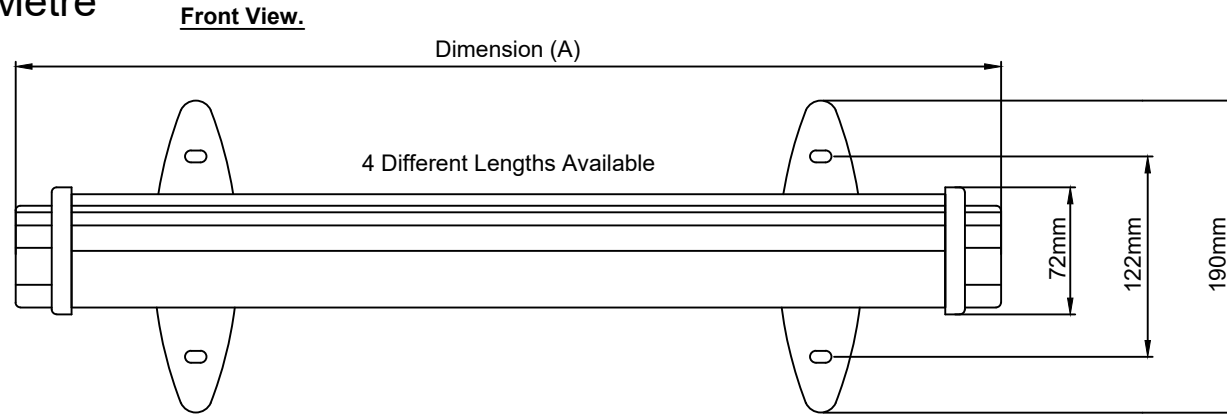
It is recommended that these luminaires are installed and fitted by a qualified electrician ensuring the installation complies with current wiring regulations & local building control. These products are designed for connection to a 240VAC~50Hz supply. Any faulty, broken or damaged luminaires should be replaced immediately. KSR will not accept responsibility for any claims arising from a poor installation. Please Note: The limited warranty shall be deemed null and void in the following circumstances: Failure by the installer, end user or any third party to exercise caution to protect any covered product or part from outside damage, humidity conditions, fluctuations in the electrical system or physical abuse as well as failure related to workmanship in the installation of the products or parts.

Important User Advice

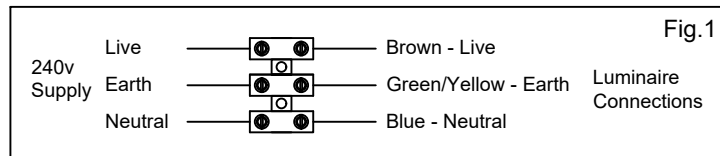
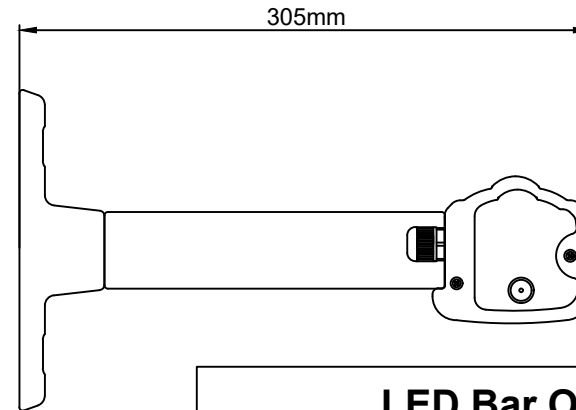
Always safely isolate the mains supply before installing/servicing. Please note this luminaire is Non Dimmable. General maintenance and cleaning should be performed at least quarterly. Clean product outer using a damp cloth, the glass / diffuser can be cleaned with hot soapy water, dried and buffed to a shine. Protection from exposure to natural elements in the form of a non-abrasive water repellent protection (car wax). Grease screws and nuts with a suitable waterproof repellent will ensure the product gives you a long lasting trouble free life/finish. At the end of life the luminaire is classed as WEEE under directive 2014/30/EU and should be disposed of in accordance with local legislation.

Installation Procedure

Ensure mains supply is turned off. Locate luminaire, use the mounting brackets as a template to drill fixing holes. Secure the bracket into position using suitable fixings. Fitting is supplied with 2000mm of 3 core rubber cable, connect directly to the mains supply using an appropriate connector or if you need to extend this please ensure the correct cable is used with the appropriate in-line connector for the application. When securing this product to a wall, please remember to allow enough cable to be able to tilt the luminaire to its final resting position. Never allow the mains wiring to become strained. Turn on mains and test Luminaire.



Side View.



LED Bar Output Details

Code	Wattage	Length	CCT	Lumen output
KSR6105	8.64W	600mm	3000K	1160lm
KSR6106	8.64W	600mm	4000K	1270lm
KSR6107	17.28W	1200mm	3000K	2320lm
KSR6108	17.28W	1200mm	4000K	2540lm
KSR6109	21.6W	1500mm	3000K	2910lm
KSR6110	21.6W	1500mm	4000K	3180lm
KSR6111	25.92W	1800mm	3000K	3490lm
KSR6112	25.92W	1800mm	4000K	3815lm



*This product contains a light source of energy efficiency class F
The LED light source and Control Gear in this product is Non-replaceable.*