



Niseko LED Sign Light Range

Exterior Recessed Lighting



Data Sheet

Product Information

Introducing the **Niseko LED sign light range** by KSR Lighting, a versatile solution for illuminating signage with precision and style. Available in lengths of **600mm, 1200mm, 1500mm, and 1800mm**, these lights cater to various signage sizes with ease. Choose between 3000K or 4000K colour temperatures to achieve the desired ambiance. With an energy-efficient **14.4W per meter**. Each unit comes complete with 2 adjustable 250mm fixing brackets, allowing for flexible installation options. Illuminate your signage with confidence and efficiency using the Niseko LED sign light range from KSR Lighting.



Wall Bracket detail

Product Features

- 3-year warranty
- IP65
- Class I
- LED Sign Light
- Up to 14.4W Per metre
- Up to 2120 Lumens per Metre
- 3000K or 4000K
- 4 Sizes up to 1800mm
- c/w 2000mm Mains Cable
- Complete with two Adjustable Fixing Brackets
- CRI: >Ra86
- Black Finish with Clear Diffuser
- Integrated Non-Dimmable Driver
- Bespoke lengths available on request
- L70 - 30,000hrs

Product Specification

Product Code	Product Description	Wattage (W)	CCT (K)	Lumens (lm)	CRI (Ra)	Energy Efficiency Class 2021	Protection Class
KSR6105	Niseko 600mm 3000K LED Sign Light Black c/w 250mm Bracket	8.64W	3000K	1160lm	>86	E	I
KSR6106	Niseko 600mm 4500K LED Sign Light Black c/w 250mm Bracket	8.64W	4000K	1270lm	>86	E	I
KSR6107	Niseko 1200mm 3000K LED Sign Light Black c/w 250mm Bracket	17.28W	3000K	2320lm	>86	E	I
KSR6108	Niseko 1200mm 4500K LED Sign Light Black c/w 250mm Bracket	17.28W	4000K	2540lm	>86	E	I
KSR6109	Niseko 1500mm 3000K LED Sign Light Black c/w 250mm Bracket	21.6W	3000K	2910lm	>86	E	I
KSR6110	Niseko 1500mm 4500K LED Sign Light Black c/w 250mm Bracket	21.6W	4000K	3180lm	>86	E	I
KSR6111	Niseko 1800mm 3000K LED Sign Light Black c/w 250mm Bracket	25.95W	3000K	3490lm	>86	E	I
KSR6112	Niseko 1800mm 4500K LED Sign Light Black c/w 250mm Bracket	25.92W	4000K	3815lm	>86	E	I

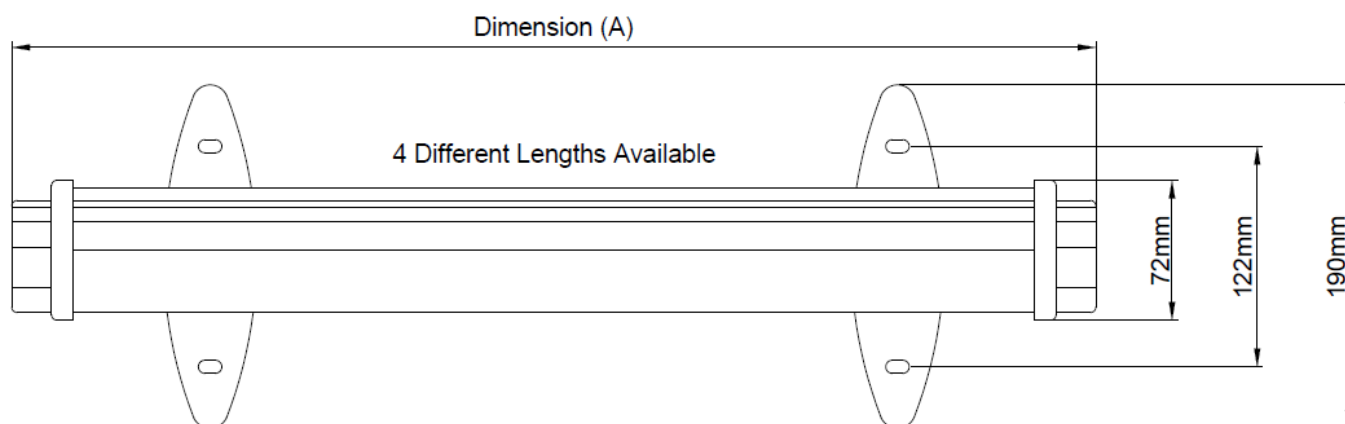
Technical Data	KSR6105 – 6106 - 600mm	KSR6107 – 6108 -1200mm	KSR6109 – 6110 - 1500mm	KSR6111 – 6112 - 1800mm
Nominal voltage	220-240VAC	220-240VAC	220-240VAC	220-240VAC
Operating frequency	50Hz	50Hz	50Hz	50Hz
Circuit Wattage	10.81W Including Losses	19.80W Including Losses	23.22W Including Losses	26.89W Including Losses
Circuit Current	0.089A	0.178A	0.175A	0.198A
Driver Voltage rating	24V	24V	24V	24V
PFC	0.494	0.454	0.554	0.556
In Rush Current	2.02Amp	2.15Amp	8.634Amp	8.605Amp
Ambient temperature range	0°C~+30°C	0°C~+30°C	0°C~+30°C	0°C~+30°C
Weight	2.18kg	4.36kg	5.45kg	6.54kg
Start time	<0.5 sec	<0.5 sec	<0.5 sec	< 0.5 sec
IP rating	65	65	65	65

Construction

Body: Cast Aluminium
 Diffuser: Clear Polycarbonate

Product Dimensions

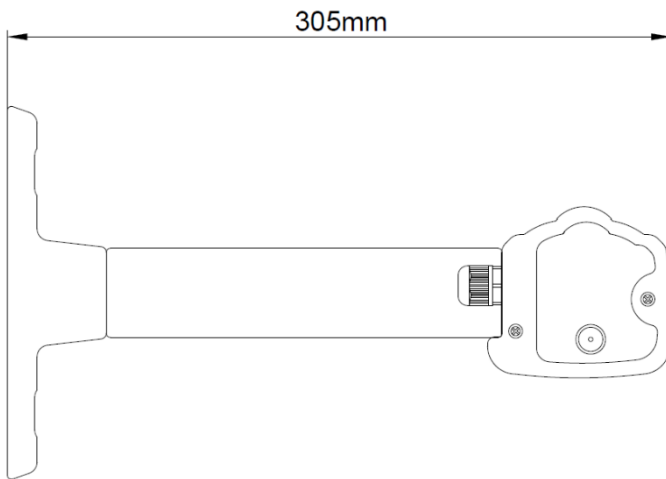
Front View.



LED Bar Lengths & Output Details

Code	Wattage	Dimension (A)	Lumen output
KSR6105	8.64W	600mm	1160lm
KSR6106	8.64W	600mm	1270lm
KSR6107	17.28W	1200mm	2320lm
KSR6108	17.28W	1200mm	2540lm
KSR6109	21.6W	1500mm	2910lm
KSR6110	21.6W	1500mm	3180lm
KSR6111	25.92W	1800mm	3490lm
KSR6112	25.92W	1800mm	3815lm

Side View.



KSR Lighting is constantly developing and improving its products. For this reason, all product descriptions in this data sheet are intended as a general guide, and KSR may change specifications from time to time in the interest of product development, without prior notification or public announcement. All descriptions in this data sheet present only general particulars of the goods to which they refer and shall not form part of any contract. Data in this guide has been obtained in controlled experimental conditions. However, KSR Lighting cannot accept any liability arising from the reliance on such data to the extent permitted.