

Rosco Track Fitting Range

Track Lighting



Data Sheet

Product Information

The **Rosco LED Adjustable** range of track fittings are ideal for domestic, retail & commercial applications where you want a highly efficient light source.

With multi wattage functionality these fittings provide an all-in-one solution allowing the installation to have the same look throughout whilst only using the power output required. GU10 versions geared towards domestic applications, **adjustable beam angle versions** ideal for retail applications and the high output, multi-wattage & CCT versions ideal for commercial environments, the Rosco range of track fittings can cover all bases.

Product Features

- 3 year warranty (1 year for GU10 Versions)
- Class I
- IP20
- Single circuit Track fitting
- Integrated LED or GU10 Options
- Selectable wattages
- Selectable Colour Temperatures 2700K, 3000K or 4000K
- Adjustable beam Angle (10W version only)
- CRI: Ra>92
- Lighting designers can download photometric data from our website
- L70 – 40,000hrs

KSR6570BLK



KSR6571WHT



Product Specification

Product Code	Product Description	Wattage (W)	CCT (K)	Lumens (lm)	CRI (Ra)	Energy Efficiency Class 2021	Protection Class	Beam Angle
KSR6570WH	Rosco GU10 Track Fitting White (Lamp not included)	6W LED Max	****LAMP DEPENDANT****				I	Lamp Dependant
KSR6570BLK	Rosco GU10 Track Fitting Black (lamp not included)	6W LED Max	****LAMP DEPENDANT****				I	Lamp Dependant
KSR6571WH	Rosco 10W 3CCT LED Adjustable Lense Track fitting White	10W 15 Deg Beam	2700K	660lm	91	G	I	Adjustable between 15-55 Deg
			3000K	830lm	93			
			4000K	755lm	92			
		10W 55 Deg Beam	2700K	660lm	91	G	I	Adjustable between 15-55 Deg
			3000K	805lm	93			
			4000K	755lm	92			
KSR6571BLK	Rosco 10W 3CCT LED Adjustable Lense Track fitting Black	10W 15 Deg Beam	2700K	660lm	91	G	I	Adjustable between 15-55 Deg
			3000K	830lm	93			
			4000K	755lm	92			
		10W 55 Deg Beam	2700K	660lm	91	G	I	Adjustable between 15-55 Deg
			3000K	805lm	93			
			4000K	755lm	92			
KSR6572WH	Rosco 3CCT 16/20/24 Multi Wattage LED Track fitting White	16W	2700K	1370lm	92	G	I	36 Deg
			3000K	1565lm	93			
			4000K	1575lm	92			
		20W	2700K	1615lm	91			
			3000K	1870lm	93			
			4000K	1850lm	91			
		24W	2700K	1770lm	91			
			3000K	2085lm	92			
			4000K	2040lm	91			
KSR6572BLK	Rosco 3CCT 16/20/24 Multi Wattage LED Track fitting White	16W	2700K	1370lm	92	G	I	36 Deg
			3000K	1565lm	93			
			4000K	1575lm	92			
		20W	2700K	1615lm	91			
			3000K	1870lm	93			
			4000K	1850lm	91			
		24W	2700K	1770lm	91			
			3000K	2085lm	92			
			4000K	2040lm	91			
KSR6573WH	Rosco 3CCT 28/32/36 Multi Wattage LED Track fitting White	28W	2700K	2145lm	92	G	I	36 Deg
			3000K	2545lm	93			
			4000K	2595lm	92			
		32W	2700K	2390lm	92			
			3000K	2850lm	93			
			4000K	2890lm	93			
		36W	2700K	2505lm	91			
			3000K	3080lm	93			
			4000K	3095lm	93			
KSR6573BLK	Rosco 3CCT 28/32/36 Multi Wattage LED Track fitting Black	28W	2700K	2145lm	92	G	I	36 Deg
			3000K	2545lm	93			
			4000K	2595lm	92			
		32W	2700K	2390lm	92			
			3000K	2850lm	93			
			4000K	2890lm	93			
		36W	2700K	2505lm	91			
			3000K	3080lm	93			
			4000K	3095lm	93			

Nominal voltage	220~240V
Operating frequency	50-60Hz
Ambient temperature range	0°C~+40°C
Start time	< 0.5 sec
IP rating	20

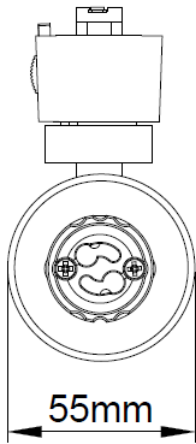
Construction

Body: Cast Aluminium
 Lens: Polycarbonate

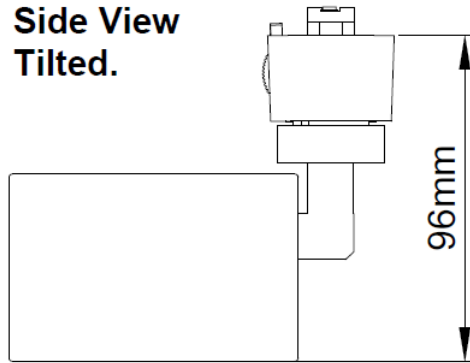
Product Dimensions

KSR6570

Front View.

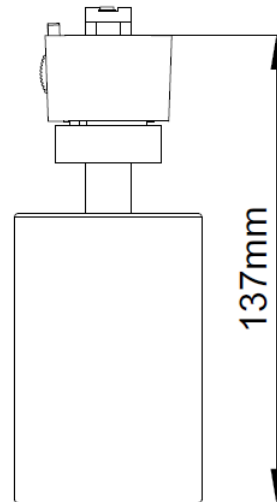


Side View Tilted.

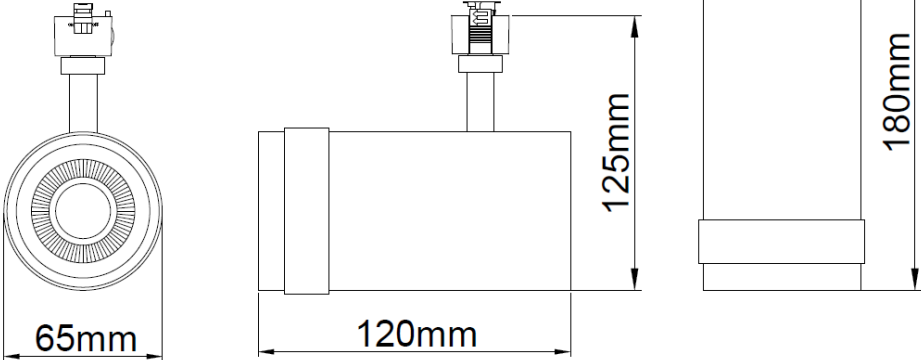


90 Deg Max Tilt.

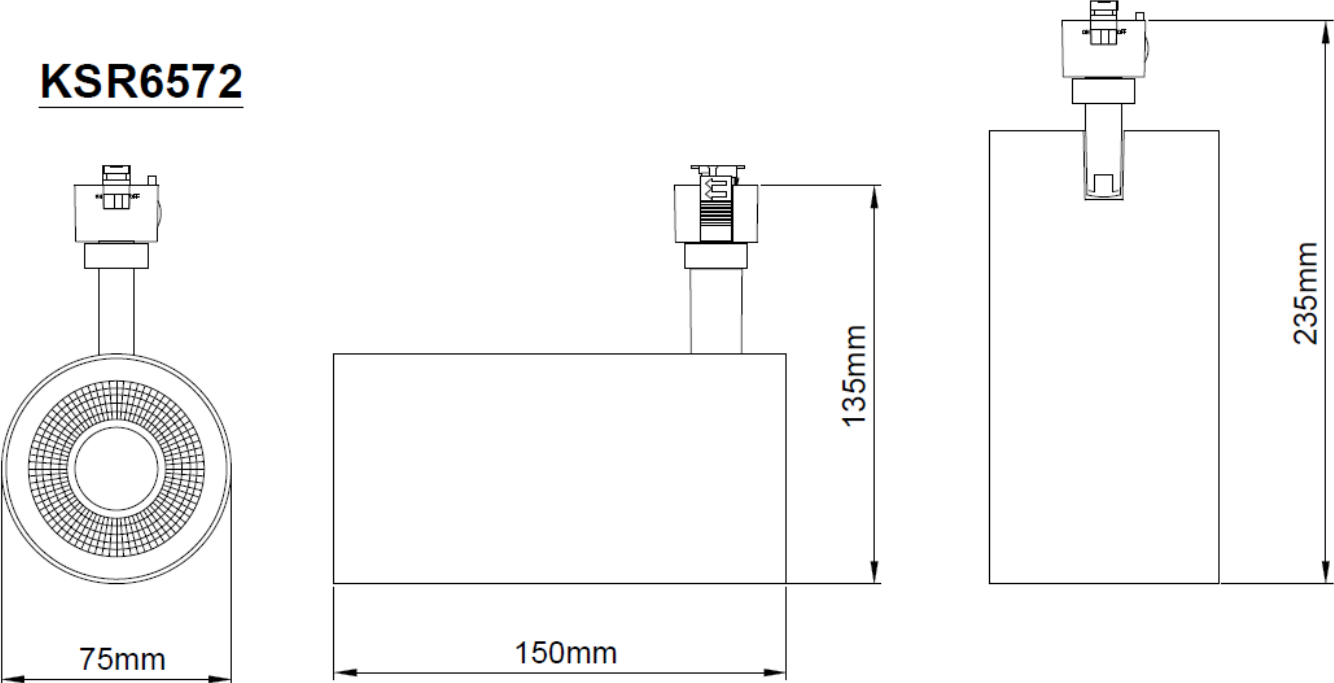
Side View.



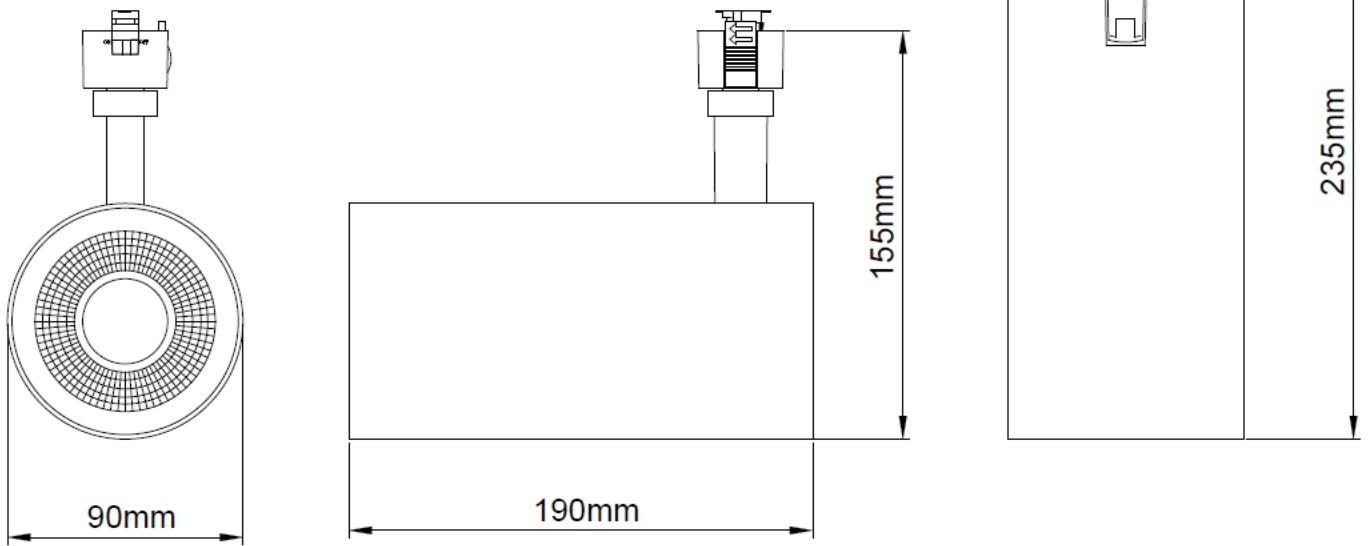
KSR6571



KSR6572



KSR6573



KSR Lighting is constantly developing and improving its products. For this reason, all product descriptions in this data sheet are intended as a general guide, and KSR may change specifications from time to time in the interest of product development, without prior notification or public announcement. All descriptions in this data sheet present only general particulars of the goods to which they refer and shall not form part of any contract. Data in this guide has been obtained in controlled experimental conditions. However, KSR Lighting cannot accept any liability arising from the reliance on such data to the extent permitted.