



Read these instructions before commencing installation. Please give these instructions to the owner/occupier after installation to retain for future reference/maintenance.

IP65 IK10 **UK CA CE** 240V~50Hz 15W/20W/24W

These fittings are Class II and do not need an Earth, but Earth provision is provided.

Important Information

It is recommended that these luminaires are installed and fitted by a qualified electrician ensuring the installation complies with current wiring regulations & local building control. These products are designed for connection to a 240V~50Hz supply. Any faulty, broken or damaged luminaires should be replaced immediately. KSR will not accept responsibility for any claims arising from a poor installation. Please Note: The limited warranty shall be deemed null and void in the following circumstances: Failure by the installer, end user or any third party to exercise caution to protect any covered product or part from outside damage, adverse temperature (normal operating ambient temperature 0°C - +30°C), humidity conditions, fluctuations in the electrical system or physical abuse as well as failure related to workmanship in the installation of the products or parts.

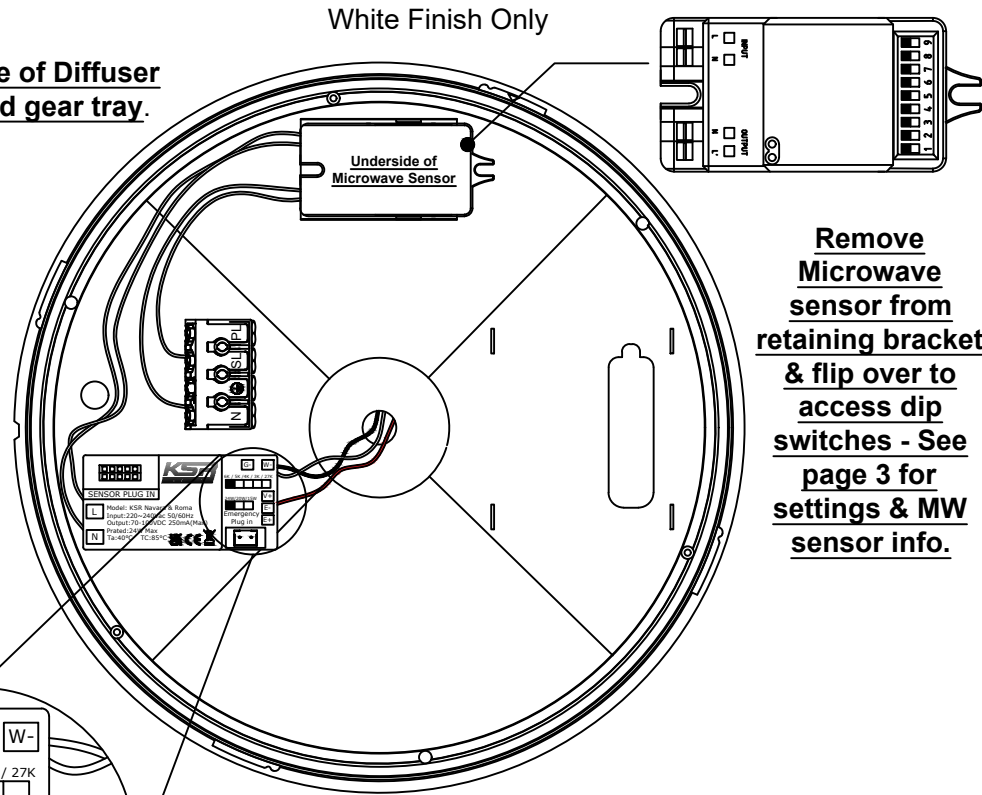
Important User Advice

Always switch off mains supply before servicing. Do not use Megger or similar high voltage instruments. Due to the fact this luminaire contains electronic components that maybe damaged by high test voltages, they must be disconnected from the circuit before testing. To prevent damage to the driver, do not mix with conventional magnetic ballasts on the same electrical circuit. At the end of life the luminaire is classed as WEEE under directive 2014/30/EU and should be disposed of in accordance with local legislation.

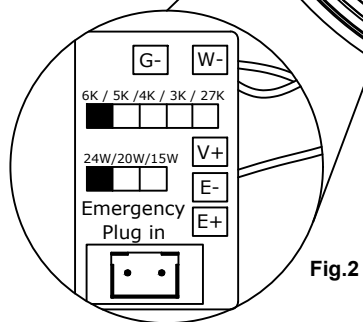
Installation Procedure

Isolate mains supply before installation.
 Pull the rim off the main body and remove the diffuser / gear tray by turning the rim anti-clockwise.
 Remove the diffuser / gear tray from the body by unclipping the support strap.
 Pass supply wires through grommet into the base section,
 Fix base to the wall or ceiling (if fitting to a wall please ensure the Arrow is pointing UP as shown), ceiling or besa box using adequate fixings with regard to the type of surface. Ensure incoming cables are protected, re-attach the support strap. Terminate wiring as per Fig. 1, please note an Earth terminal is only supplied to aid the continuation of the Earth circuit. Select LED colour and wattage required using the switches on the LED driver (Fig. 2) Note: Never change the LED colour or wattage with the luminaire powered on as this can damage the luminaire. Re-install the diffuser / gear tray by lining up lugs and twisting clockwise to lock in place. Line up the knockouts on the inside of the white rim with the conduit entry points on the base tray and snap on. Turn on the mains supply and test luminaire.
 *Please note: Depending on the amount of fittings on a circuit you may have to upgrade the breaker type to avoid nuisance tripping.

Underside of Diffuser with fixed gear tray.

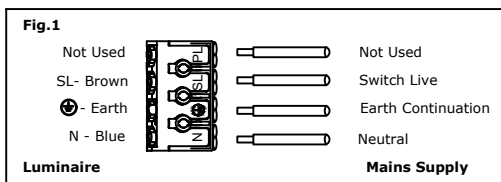


Remove Microwave sensor from retaining bracket & flip over to access dip switches - See page 3 for settings & MW sensor info.



Exploded View of Wattage & CCT Selector switches located on the end of the driver as shown - Never change these whilst the power is on.

Fig.1



*This product contains a light source of energy efficiency class F
 The Control Gear in this product can be replaced by a professional.*



CCT	Lumen output				
	2700K	3000K	4000K	5000K	6000K
15W	1690lm	1695lm	1780lm	1840lm	1830lm
20W	2010lm	2050lm	2250lm	2290lm	2215lm
24W	2155lm	2340lm	2580lm	2585lm	2565lm

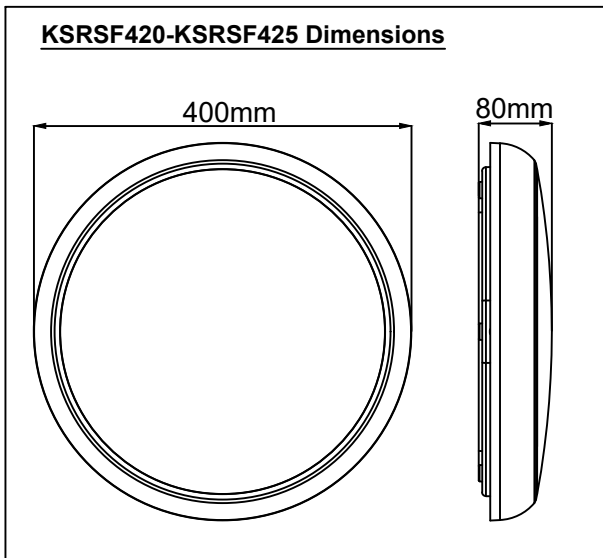
Other versions are available, Emergency, Self-Test Emergency, Standard, Corridor Function - Also available are other sizes @ 260mm Diameter - Roma Mini or @ 315mm Diameter - Roma



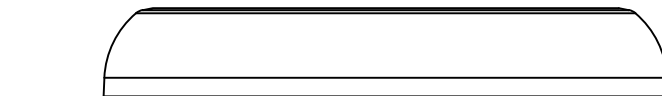
Read these instructions before commencing installation. Please give these instructions to the owner/occupier after installation to retain for future reference/maintenance.

IP65 IK10 240V~50Hz 15W/20W/24W

KRSRF420-KRSRF425 Dimensions



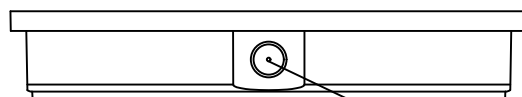
1. Fit the diffuser to the base tray.



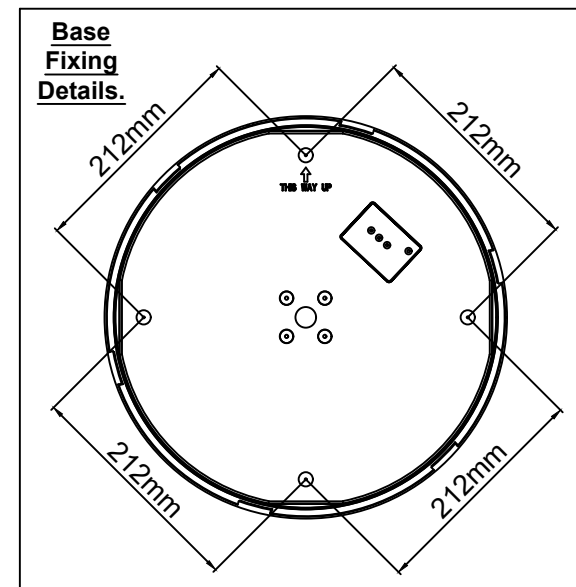
Side View of White Rim.



Side View of Diffuser.

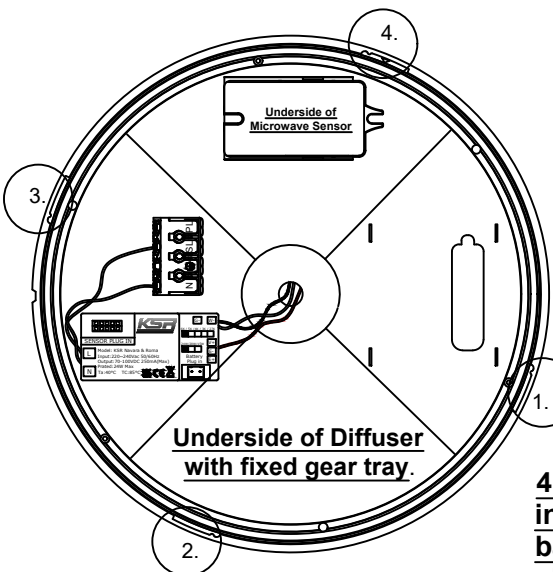


Side View of Base tray.



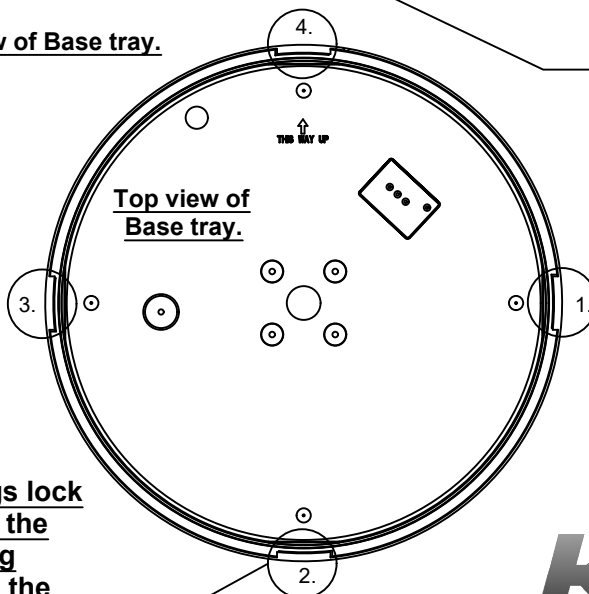
The 4 Knockout points (shown inside) on the rim - to be lined up with the conduit entry points on the base tray, then snap into place.

2. Secure the rim onto the base & diffuser

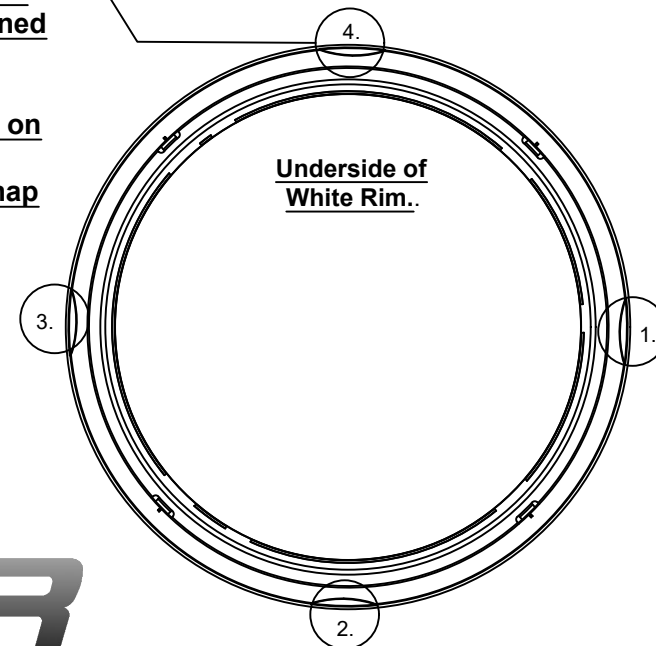


Underside of Diffuser with fixed gear tray.

4 x Diffuser lugs lock into place onto the base by rotating clockwise onto the base locator points.



Top view of Base tray.



Underside of White Rim..





Read these instructions before commencing installation. Please give these instructions to the owner/occupier after installation to retain for future reference/maintenance.

IP65 IK10 240V~50Hz 15W/20W/24W

This Microwave sensor is a motion activated switch, it will turn the light on when movement is detected, then hold the light on for the determined amount of time, after which the light will turn off.

Using the Dip Switches on the sensor, set it up to your preferred Detection area, Hold Time & Daylight level.

Microwave sensors will detect movement through certain materials, if this occurs reduce the detection area until any nuisance triggering stops.

Max Load - 400W (Inductive)(LEDs)
Max Load - 800W (Resistive)

1 - Detection Area

Detection area can be reduced by selecting the combination on the Dip Switches, following the guide as shown here.

	1	2	3	
I	●	●	●	100%
II	○	●	●	75%
III	●	○	●	50%
IV	○	○	●	25%
V	○	○	○	10%

2 - Hold Time

Hold time means the time period you would like the light to remain 'on' once no movement is detected.

	4	5	6	
I	●	●	●	5s
II	○	●	●	30s
III	●	○	●	90s
IV	○	○	●	3min
V	●	●	○	20min
VI	○	○	○	30min

3 - Daylight Sensor

The daylight sensor can be set to bring the light 'on' at specific daylight levels. To have the sensor function in daylight set the Dip Switches to Disable.

	7	8	9	
I	●	●	●	2 lux
II	●	●	○	10 lux
III	○	●	○	25 lux
IV	●	○	○	50 lux
V	○	○	○	Disable

Troubleshooting

Issue	Cause	Solution
The load will not illuminate	Incorrect daylight threshold setting selected	Adjust setting and retest
	Load has failed (driver or LED array)	Replace load
	No mains power detected	Switch on power
The load is permanently illuminated	Continuous movement in the detection area	Check detection area setting
	The lamp (containing sensor) is installed in an area too close to reflective surface, i.e Metal, Glass or Concrete walls.	1. Make sure installation area suitable with at least 30cm space between lamp and surrounding reflective surfaces 2. Reduce Sensitivity (detection area)
The load will not illuminate despite movement	Speed of moving object is not in the range of 0.5-3m/s or the detection radius is too small	Check Detection area setting

The Sensor is designed for installation heights of 3-6m

Recommended Installation heights

For Wall mounting the height is 1.5m
For Ceiling mounting the height is 3m

