



Read these instructions before commencing installation. Please give these instructions to the owner/occupier after installation to retain for future reference/maintenance.

IP20 240VAC~50Hz 10W - 24W

Available Rim Finishes: White as Standard - Black Bezel Available

Can be Surface or Recessed

These fittings are Class II and do not require to be Earthed

## Important Information

It is recommended that these luminaires are installed and fitted by a qualified electrician ensuring the installation complies with current wiring regulations & local building control. These products are designed for connection to a 240V~50Hz supply. Any faulty, broken or damaged luminaires should be replaced immediately. KSR will not accept responsibility for any claims arising from a poor installation. Please Note: The limited warranty shall be deemed null and void in the following circumstances: Failure by the installer, end user or any third party to exercise caution to protect any covered product or part from outside damage, adverse temperature (normal operating ambient temperature 0 ~ +40°C), humidity conditions, fluctuations in the electrical system or physical abuse as well as failure related to workmanship in the installation of the products or parts.

## Important User Advice

Always switch off mains supply before installing or servicing. This luminaire is suitable for indoor use only and should not be fitted to damp or wet surfaces such as freshly plastered or painted ceilings. Do not use Megger or similar high voltage instruments. Due to the fact this luminaire contains electronic components that maybe damaged by high test voltages, they must be disconnected from the circuit before testing. To prevent damage to the driver, do not mix with conventional magnetic ballasts on the same electrical circuit. At the end of life the luminaire is classed as WEEE under directive 2014/30/EU and should be disposed of in accordance with local legislation.

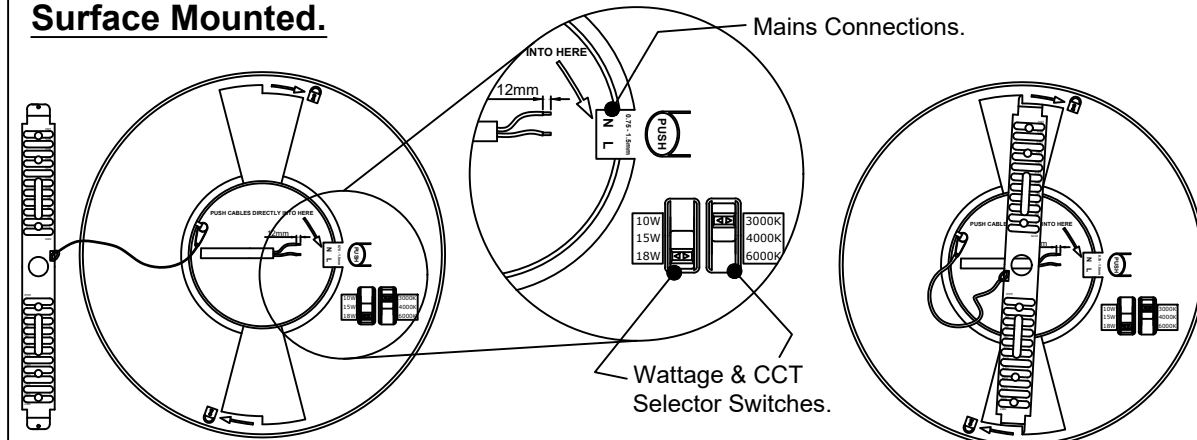
## Installation Procedure

This fitting can be **surface mounted** or recessed, prior to installation please choose your desired wattage and colour temperature via the 2 dip switches on the back of the fitting (**never** do this when the power is on). for surface mounting, secure the fixing bracket to the ceiling using the fixings provided, offer the fitting upto the bracket and line up with the recess channel / aperture on the back of the fitting and twist and lock into position, ensuring the securing chain / wire is properly connected to both the bracket and fitting. If **recessed mounting**, KSR recommends that a sample hole is cut in some scrap material to familiarise yourself with the installation. Once you are completely satisfied: Locate the area's suitable to install these luminaires. Ensure there is sufficient ceiling void without infringing on joists, water pipes or electrical cables. fix the provided fixing clips onto the fixing bracket and equally space using the printed measurements required for your cut out, push the clips upwards so they can go through the cut out and carefully release the springs and allow them to pull the fitting into place, again ensuring the ensuring the securing chain / wire is properly connected to both the bracket and fitting. Connect your mains supply to the LED driver , (L) Live - Brown & (N) Neutral - Blue. These fittings are Class II and do not require an earth connection. Turn on the mains supply to test the luminaire.

**\*Please note: Depending on the amount of LED fittings on a circuit you may have to upgrade the breaker due to the way electronic LED drivers start up with higher inrush currents compared to halogen lighting.**

*This product contains a light source of energy efficiency class F  
The LED light source and Control Gear in this product is Non-replaceable.*

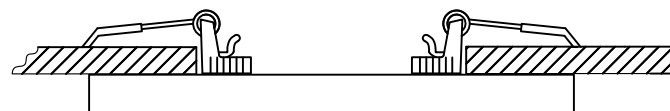
## Surface Mounted.



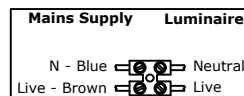
For **surface mounting**, fix the fixing bracket to the ceiling using the provided fixings.

Offer the fitting up to the fixing bracket and line up with recessed aperture on the back of the fitting, then twist and lock into place.

## Recessed Mounted.



For **recessed mounting**, fix the provided downlight style clips to the fixing bracket, ensuring they are evenly spaced and the correct length apart for the cut out.



	ØRim Size / Depth	ØCut out	Void Depth Req'd	Wattage / Colour / Lumens
KSR97196	Ø225mm / 18mm	60mm - 160mm	50mm	10W = 3K - 825lm / 4K - 875lm / 6K - 850lm
				15W = 3K - 1220lm / 4K - 1328lm / 6K - 1240lm
				18W = 3K - 1440lm / 4K - 1635lm / 6K - 1445lm
KSR97198 - - Avio Black Bezel Only for KSR97196 - -				
KSR97197	Ø300mm / 18mm	60mm - 240mm	50mm	15W = 3K - 1320lm / 4K - 1375lm / 6K - 1355lm
				22W = 3K - 1875lm / 4K - 1995lm / 6K - 1905lm
				24W = 3K - 2085lm / 4K - 2235lm / 6K - 2095lm
KSR97199 - - Avio Black Bezel Only for KSR97197 - -				

