

Roma XL Multi Wattage & 5CCT

Commercial Lighting



Product Information

The **KSR Roma XL 5CCT & Multi Wattage** fittings are a great **addition** to the already popular **Roma range**, these larger versions cover multiple outputs and colour temperatures & are the missing link to where more commercial outputs & sizes are required. **Now also complete with conduit entry points and knockout points on the rims.**

Designed to match the **other 2 sizes** the Roma range can cover all your bulkhead requirements.

Product Features

- 5 year warranty
- Class II
- IP65
- IK10
- 5 Selectable Colour Temperatures 2700K, 3000K, 4000K, 5000K or 6000K
- Selectable outputs - 15W, 20W & 24W LED
- CRI: Ra>83
- Up to 122 lumens per circuit Watt
- Wall or ceiling mountable
- Emergency versions available
- Microwave versions available
- Corridor Function versions available
- Suitable for Besa Box mounting
- L70 - 40,000hrs

Product Specification

Product Code	Product Description
KSRSF420	Roma XL Multi CCT & Wattage LED Surface Fitting White
KSRSF421	Roma XL Multi CCT & Wattage LED Emergency Surface Fitting White
KSRSF422	Roma XL Multi CCT & Wattage LED Microwave Surface Fitting White
KSRSF423	Roma XL Multi CCT & Wattage LED Microwave & Emergency Surface Fitting White
KSRSF424	Roma XL Multi CCT & Wattage LED Corridor Function Surface Fitting White
KSRSF425	Roma XL Multi CCT & Wattage LED Corridor Function & Emergency Surface Fitting White

Technical Data

	15W Output	20W Output	24W Output
Nominal voltage	220~240VAC	220~240VAC	220~240VAC
Operating frequency	50-60Hz	50-60Hz	50-60Hz
Circuit Wattage	15.16W including driver losses	19.43W including driver losses	23.36W including driver losses
Circuit Current	0.124A	0.154A	0.175A
PFC	0.553	0.572	0.578
In Rush Current	TBC	TBC	TBC
Ambient temperature range	0°C~+30°C	0°C~+30°C	0°C~+30°C
Start time	< 0.5 sec	< 0.5 sec	< 0.5 sec
IK rating	10	10	10
IP rating	65	65	65

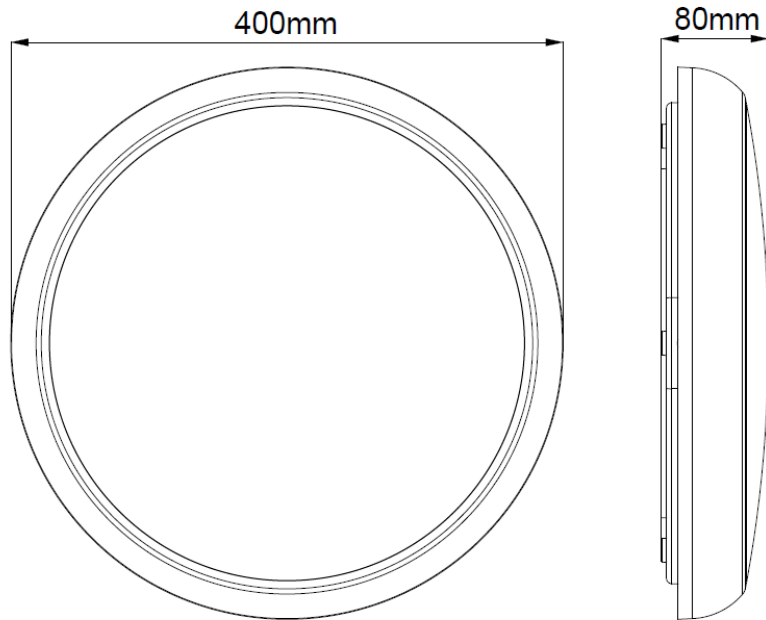
Wattage (W)	CCT (K)	Lumens (lm)	CRI (Ra)	Energy Efficiency Class 2021	Protection Class
15W	2700K	1690lm	85	E	II
	3000K	1695lm	87		
	4000K	1780lm	89		
	5000K	1840lm	86		
	6000K	1830lm	83		
20W	2700K	2010lm	85	F	II
	3000K	2050lm	87		
	4000K	2250lm	89		
	5000K	2290lm	86		
	6000K	2215lm	83		
24W	2700K	2155lm	85	F	II
	3000K	2340lm	87		
	4000K	2580lm	89		
	5000K	2585lm	86		
	6000K	2565lm	83		
EM MODE (421, 423 & 425)		233lm			

Construction

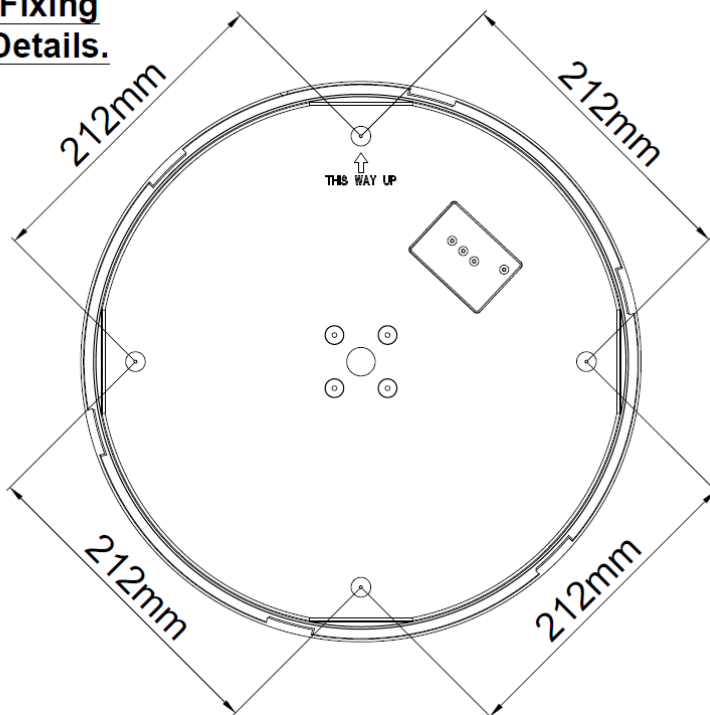
Body: Polycarbonate
 Diffuser: Polycarbonate
 Rim: ABS

Product Dimensions

KRSF420 - KRSF425



Base Fixing Details.



KSR Lighting is constantly developing and improving its products. For this reason, all product descriptions in this data sheet are intended as a general guide, and KSR may change specifications from time to time in the interest of product development, without prior notification or public announcement. All descriptions in this data sheet present only general particulars of the goods to which they refer and shall not form part of any contract. Data in this guide has been obtained in controlled experimental conditions. However, KSR Lighting cannot accept any liability arising from the reliance on such data to the extent permitted.