

# GU10 LED Lamps

*Accessories*



Data Sheet

## Product Information

Our **GU10 LED Lamp Range** is ideal for Commercial, Retail or Domestic applications. Low wattage, high output & fully dimmable (see our dimmer compatibility list), available in 3 colour temperatures as well as all **3 colours** in the **one lamp** with the CCT option. Making them extremely versatile and being able to switch easily between the colours to change and suit the required mood.

Single colour versions are the same size as all regular GU10 lamps so they can be fitted or retro-fitted into any GU10 fitting.

## Product Features

- 3 year warranty
- IP20
- 6W LED
- 2700K, 3000K or 4000K versions
- 3 in 1 - 3CCT Selectable version available
- Up to 570 Lumens
- CRI: Ra>83
- 38° Beam Angle
- Fully Dimmable (see dimmer lists for compatibility)
- White Finish Only
- L70/B10 - 30,000hrs

## Product Specification

Product Code	Product Description	Wattage (W)	CCT (K)	Lumens (lm)	CRI (Ra)	Energy Efficiency Class 2021
KSRLP960	6W GU10 2700K LED Lamp Dimmable	6W	2700K	565lm	83	F
KSRLP961	6W GU10 3000K LED Lamp Dimmable	6W	3000K	570lm	83	F
KSRLP962	6W GU10 4000K LED Lamp Dimmable	6W	4000K	545lm	83	F
KSRLP963	6W GU10 3CCT LED Lamp Dimmable	6W	2700K	430lm	83	G
			3000K	480lm	83	F
			4000K	470lm	83	F

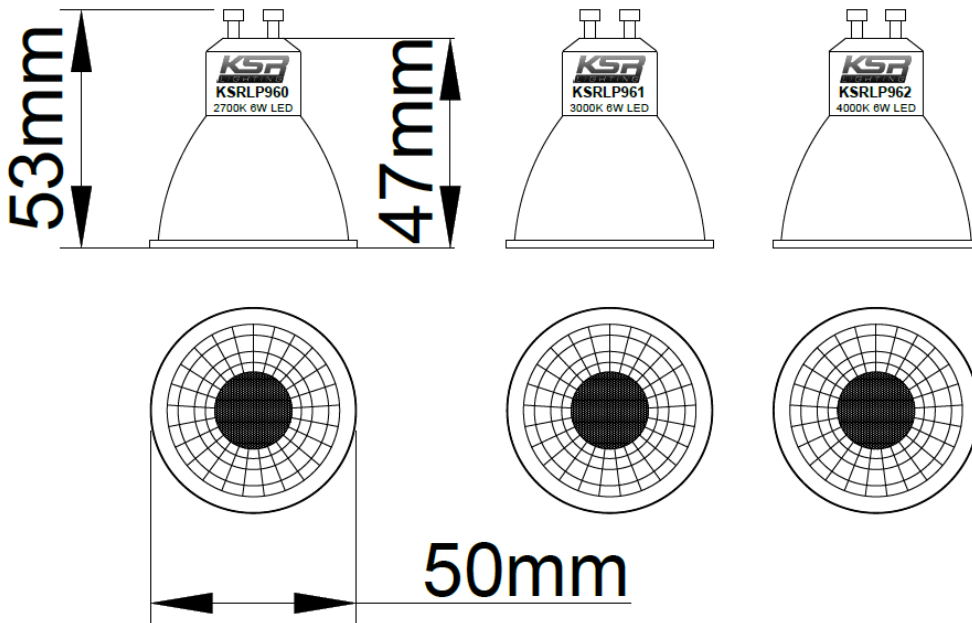
Nominal voltage	240-277V
Operating frequency	50-60Hz
Circuit Wattage	5.96W
Circuit Current	0.036A
PFC	0.79
Start time	< 0.5 sec
Protection Class	II
Ambient temperature range	0°C~+30°C
IP rating	IP20

## Construction

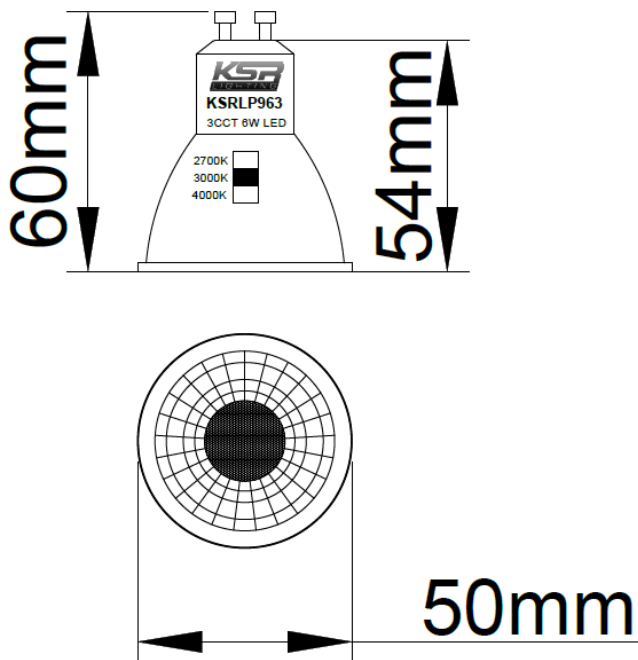
Body: Polycarbonate  
Lens: Clear Polycarbonate

## Product Dimensions

### KSRLP960 - KSRLP962



### KSRLP963



KSR Lighting is constantly developing and improving its products. For this reason, all product descriptions in this data sheet are intended as a general guide, and KSR may change specifications from time to time in the interest of product development, without prior notification or public announcement. All descriptions in this data sheet present only general particulars of the goods to which they refer and shall not form part of any contract. Data in this guide has been obtained in controlled experimental conditions. However, KSR Lighting cannot accept any liability arising from the reliance on such data to the extent permitted.