

Firebreak Qr Mini 5W 3CCT LED Downlight

Fire Rated Mini Downlights



Data Sheet

Product Information

The New **KSR Firebreak Qr, 5W, 3CCT & IP65 Mini LED Downlights** at only **56mm** overall **diameter** are perfect for downlighting any internal area. A Mini version of the already widely known Firebreak Qr 5 downlights. They come with a 3CCT function which you can change the colour kelvin on the switch on the LED Driver, Phase dimmable as standard.

Complete with a 5-year warranty for your peace of mind.

[KSRFRD337](#)



[KSRFRD336 c/w KSRFRD338](#)



Product Features

- 5-year warranty
- IP65 (from the front only when installed correctly)
- Class II
- 5W LED
- Switch between 2700K, 3000K or 4000K
- Part B - Fire Rated to 30 Mins
- CRI: >Ra83
- 56mm Overall Diameter
- 42mm Cut-out
- Dimmable as standard (please see dimmer list)
- Supplied with White Bezel
- Baffle Version Available
- Black Colour rim option available
- L70/B10 – 54,000hrs

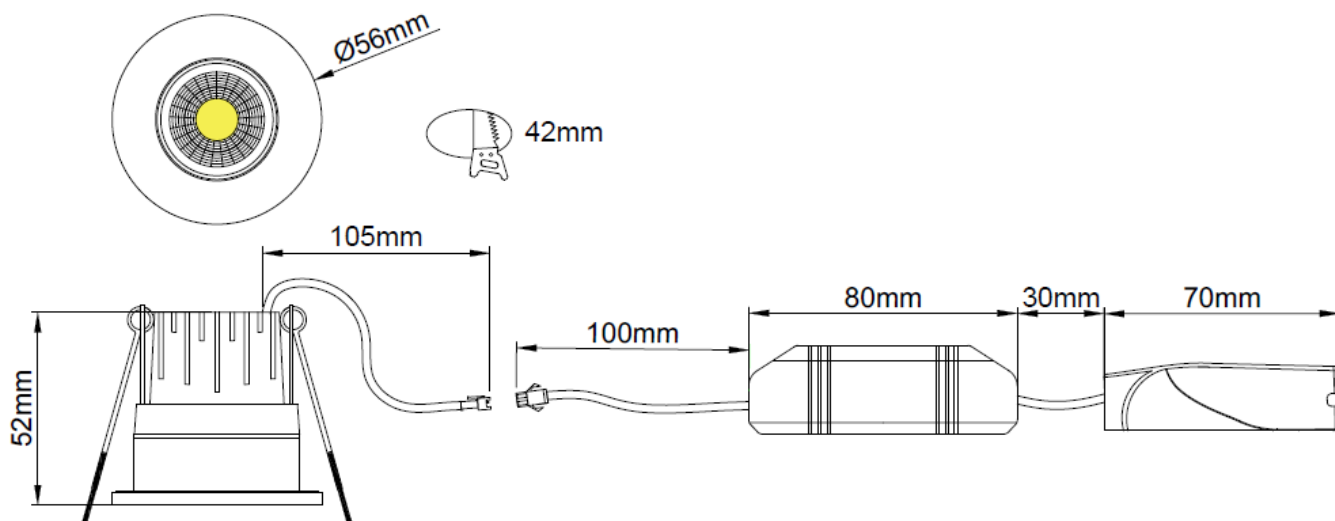
Product Specification

Product Code	Product Description	Wattage (W)	CCT (K)	Lumens (lm)	Beam Angle	CRI (Ra)	Energy Efficiency Class 2021	Protection Class
KSRFRD336	Firebreak Qr Mini 5W 3CCT LED Fixed Downlight White	5W	2700K	355lm	60°	>83	G	II
			3000K	395lm				
			4000K	490lm				
KSRFRD337	Firebreak Qr Mini 5W 3CCT LED Baffle Downlight White	5W	2700K	175lm	50°	>83	G	II
			3000K	200lm				
			4000K	265lm				
Accessories								
KSRFRD338	Black Bezel only for KSRFRD336 & KSRFRD337							

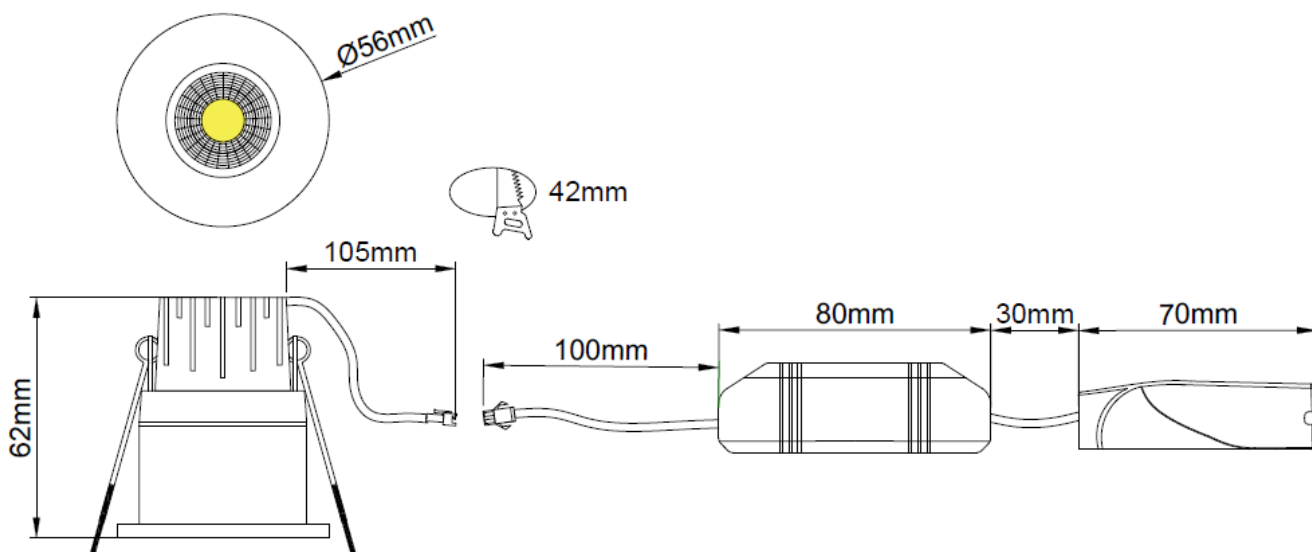
Nominal voltage	220~240VAC
Operating frequency	50Hz
Circuit Current	0.025A
Driver Current	140mA
Power Factor (PF)	0.9
Circuit Wattage	5.24W
Ambient temperature range	0°C~+35°C
Start time	< 0.5 sec
IP rating	65

Product Dimensions

KSRFRD336



KSRFRD337



KSR Lighting is constantly developing and improving its products. For this reason, all product descriptions in this data sheet are intended as a general guide, and KSR may change specifications from time to time in the interest of product development, without prior notification or public announcement. All descriptions in this data sheet present only general particulars of the goods to which they refer and shall not form part of any contract. Data in this guide has been obtained in controlled experimental conditions. However, KSR Lighting cannot accept any liability arising from the reliance on such data to the extent permitted.