

Mirto 3CCT Recessed Wall Light Black

Exterior Recessed Lighting



Data Sheet

Product Information

Introducing the **Mirto 3CCT LED recessed wall light**, ideal for low level recessed wall lighting for illuminating paths, patios, decking or similar, with the Selectable CCT you can create the right ambience to suit the environment, fully polycarbonate construction makes it **suitable for coastal & high saline areas**.

Comes with a 3 year warranty for your peace of mind.



Product Features

- 3-year warranty
- Class II
- IP65
- 7W LED
- Selectable 3CCT - 2700K, 3000K or 4000K
- Plain Frame Only
- Black Surround with Opal Diffuser
- Recessed housing supplied
- Fully Polycarbonate construction suitable for coastal areas
- Non dimmable integral driver
- L70 – 25,000hrs

Product Specification

Product Code	Product Description	Wattage (W)	CCT (K)	Lumens (lm)	CRI (Ra)	Energy Efficiency Class	Protection Class
KSR1540	Mirto 7W 3CCT LED IP65 Recessed Wall Light Black (Complete with recessed housing)	7W	2700K	310	>84	G	II
			3000K	320			
			4000K	295			

Nominal voltage	220~240VAC
Operating frequency	50/60Hz
Circuit Wattage	7W
Circuit Current	0.09A
Driver mA Rating	350mA
PFC	0.8
Ambient temperature range	0°C to +30°C
IP rating	65

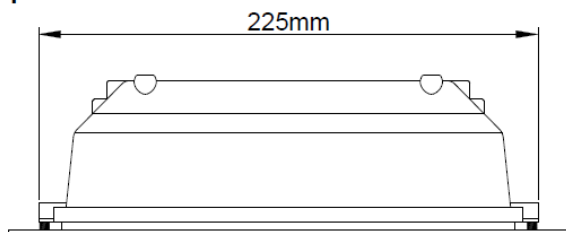
Construction

Body:	Polycarbonate
Lens:	Opal Polycarbonate
Recessed Housing:	Polycarbonate

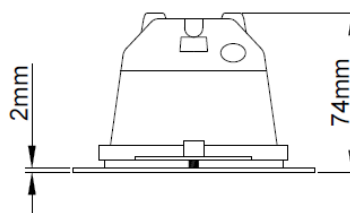
Product Dimensions

KSR1540 - Main Luminaire.

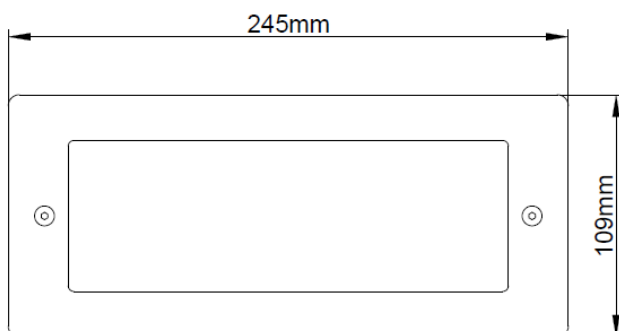
Top View.



Side View.

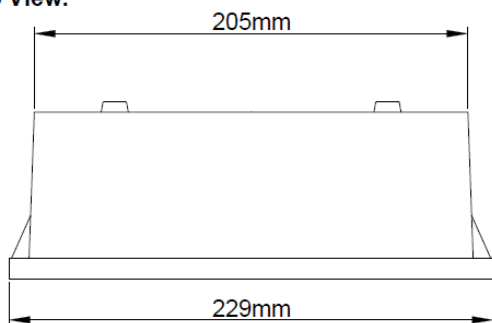


Front Face View.

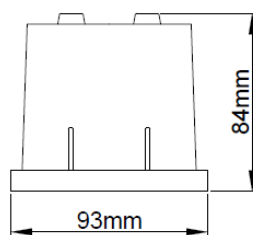


KSR1540 - Recessed Housing.

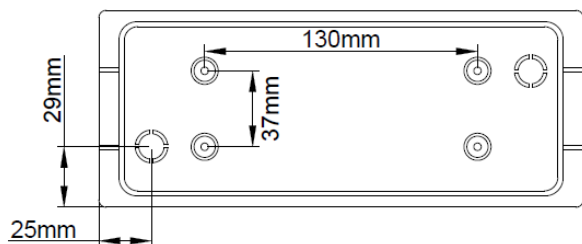
Top View.



Side View.



Rear View & Fixing Dimensions.



KSR Lighting is constantly developing and improving its products. For this reason, all product descriptions in this data sheet are intended as a general guide, and KSR may change specifications from time to time in the interest of product development, without prior notification or public announcement. All descriptions in this data sheet present only general particulars of the goods to which they refer and shall not form part of any contract. Data in this guide has been obtained in controlled experimental conditions. However, KSR Lighting cannot accept any liability arising from the reliance on such data to the extent permitted.