

QR GU10 Range

Fire Rated Downlights



Product Information

The FireBreak QR range of IP20 or IP65 downlights are the perfect for downlighting any areas including bathrooms using the optional IP65 bezel. Included in the range are IP20 Tilttable versions that are ideal for wall washing or highlighting areas. All fittings will take up to 10W GU10 retro fit LED lamps.

Product Features

- 1 year warranty
- Class I
- 10W GU10 LED lamp maximum
- IP20 or IP65 downlights (IP20 if used with KSRFRD416 & 418)
- IP20 Tilttable downlights
- Fully tested for 30, 60 and 90 minute fire rated ceilings (except if used with KSRFRD416 & 418)
- 8 colour bezel options
- Bezel and body purchased separately to save stock holding
- Lamp not supplied
- Ensure the LED lamp is suitable for use in enclosed cans

Product Specification

Product Code	Product Description	Wattage (W)	Lamp Cap	Energy Efficiency Class	Protection Class	Pack Qty
KSRFRD400	Fire Rated GU10 LED Downlight (Bezel not supplied)	10	GU10	Lamp Dependant	I	50
KSRFRD401	IP20 White Bezel for KSRFRD400 Downlight					10
KSRFRD402	IP20 Chrome Bezel for KSRFRD400 Downlight					10
KSRFRD403	IP20 Satin Chrome Bezel for KSRFRD400 Downlight					10
KSRFRD404	IP65 White Bezel for KSRFRD400 Downlight					10
KSRFRD405	IP65 Chrome Bezel for KSRFRD400 Downlight					10
KSRFRD406	IP65 Satin Chrome Bezel for KSRFRD400 Downlight					10
KSRFRD407	IP20 Black Bezel for KSRFRD400 Downlight					10
KSRFRD408	IP20 Brass Bezel for KSRFRD400 Downlight					10
KSRFRD409	IP20 Copper Bezel for KSRFRD400 Downlight					10
KSRFRD410	Fire Rated GU10 LED Downlight (Bezel not supplied)	10	GU10	Lamp Dependant	I	50
KSRFRD411	IP20 White Tilt Bezel for KSRFRD410 Downlight					10
KSRFRD412	IP20 Chrome Tilt Bezel for KSRFRD410 Downlight					10
KSRFRD413	IP20 Satin Chrome Tilt Bezel for KSRFRD410 Downlight					10
KSRFRD414	IP20 Black Tilt Bezel for KSRFRD410 Downlight					10
KSRFRD415	Firebreak GU10 Qr Pro / Wiz Downlight Can	10	GU10	Lamp Dependant	I	1
KSRFRD416	Trimless Bezel for KSRFRD400 Downlight					10
KSRFRD417	IP20 Copper Tilt Bezel for KSRFRD410 Downlight					10
KSRFRD418	Firebreak Qr GU10 Convertor Plate White	IP20 – All versions become IP20 when used with this				1
KSRFRD419	IP65 Black Bezel for KSRFRD400 Downlight					10
KSRFRD420	IP20 Antique Brass Bezel for KSRFRD400 Downlight					10
KSRFRD421	IP20 Satin Brass Bezel for KSRFRD400 Downlight					10
KSRFRD422	IP20 Antique Brass Tilt Bezel for KSRFRD410 Downlight					10
KSRFRD423	IP20 Satin Brass Tilt Bezel for KSRFRD410 Downlight					10

Nominal voltage

220~240V

Operating frequency

50-60Hz

Standards

BSEN60598-1:2021 Luminaires – Part 1: General requirements and tests

In Conformity with

LVD	Low voltage directive 2014/35/EU
ERP	Energy related products directive 2019/2020/EU
RoHS	Restriction of hazardous substances 2015/863/EU
Part E	Acoustic performance (Except when used with KSRFRD418 Convertor plate)
Part B	Fully tested for 30, 60 and 90 minute ceiling types using Solid timber joists and 30 minute rated for I-Joist and 250mm/300mm Metal web joists to meet Part B of Building

KSR Lighting, Optimum House, Beeding Close, Southern Cross Trading Estate, Bognor Regis, West Sussex, PO22 9TS
www.ksrlighting.com

KSR QR GU10 Range-DS – 27th July 2023

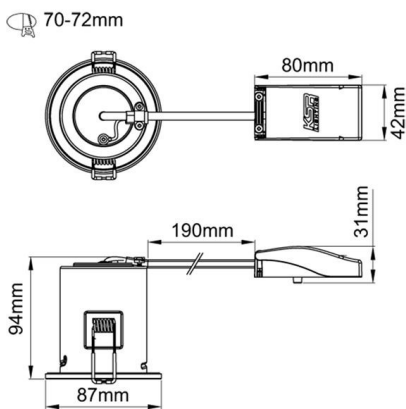
Regulations, specifically Fire Resistance Performance of a load bearing floor with downlighters BS476 : Part 21: 1987 Clause 7 (Except when used with KSRFRD416 & 418)
Air & moisture transfer

Part C

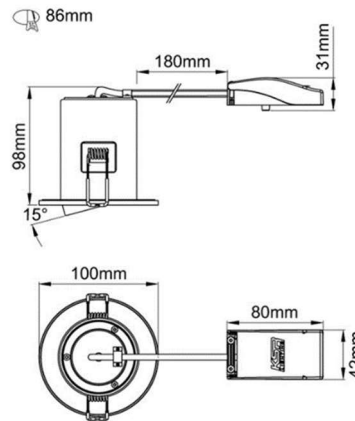
Construction

Body Steel Body
Bezel Polycarbonate and Aluminium for Tilt versions.

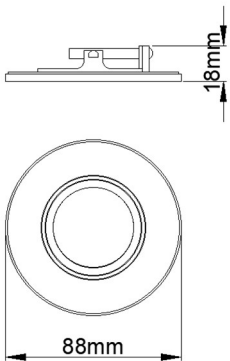
Product Dimensions



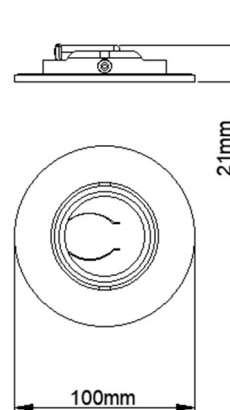
KSRFRD400



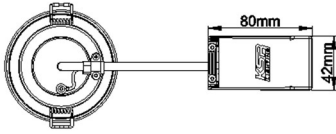
KSRFRD410



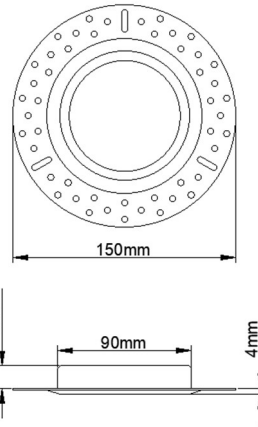
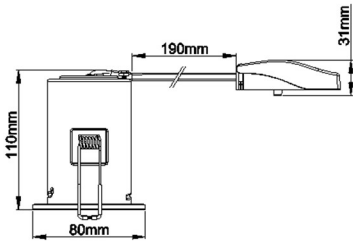
KSRFRD401-03/404-406/407-09/419-421



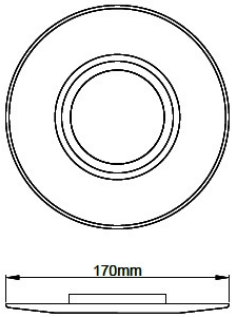
KSRFRD411-14/417



KSRFRD415



KSRFRD416



KSRFRD418

KSR Lighting is constantly developing and improving its products. For this reason, all product descriptions in this data sheet are intended as a general guide, and KSR may change specifications from time to time in the interest of product development, without prior notification or public announcement. All descriptions in this data sheet present only general particulars of the goods to which they refer and shall not form part of any contract. Data in this guide has been obtained in controlled experimental conditions. However, KSR Lighting cannot accept any liability arising from the reliance on such data to the extent permitted.