

Qr Select Range

Fire Rated Downlights



Data Sheet

Product Information

The FireBreak Qr 4CCT IP65 LED Downlights are the Ultimate downlight solution and are perfect for downlighting any areas. They come with a Quad CCT function which you can change the colour kelvin from the switch on the back of the luminaire and you can change the drive current output to suit the light level required. Phase dimmable as standard.

Complete with a 5 year warranty for your peace of mind.



Product Features

- 5 year warranty
- Class I for KSRFRD385
- Class II for KSRFRD383 and KSRFRD384
- IP65 (from the front only when installed correctly)
- 30/60/90min fire rated with Solid timber joists and 30min I-Joist and Metal Web
- High efficiency LEDs up to 130 lumens per circuit watt
- Switch between 2700K, 3000K, 4000K and 6000K
- CRI: Ra>84
- Set the output of the fitting to 5W, 7W or 9W via the drive current selector switch. (KSRFRD385 5W or 7W only)
- Innovative circuit isolation switch – to speed up testing of your circuit (KSRFRD383 and KSRFRD384 only)
- Colour rim options available
- KSRFRD383 and KSRFRD385 heads can be loosely covered in insulation
- KSRFRD384 Must always remain in free airspace (cannot be covered in insulation)
- L70/B10 – 54,000hrs

Product Specification

Product Code	Product Description	Wattage (W)	CCT (K)	Lumens (lm)	Beam Angle	CRI (Ra)	Energy Efficiency Class 2021	Protection Class
KSRFRD383*	Qr Select Fire Rated Quad CCT Multi wattage Dimmable LED Downlight	5W	2700K	525	58°	>84	F	II
			3000K	540				
			4000K	580				
			6000K	595				
		7W	2700K	695				
			3000K	715				
			4000K	815				
			6000K	815				
		9W	2700K	840				
			3000K	870				
			4000K	960				
			6000K	950				
KSRFRD384*	Qr Select Tilt Fire Rated Quad CCT Multi wattage Dimmable LED Downlight	5W	2700K	535	58°	>84	F	II
			3000K	540				
			4000K	580				
			6000K	590				
		7W	2700K	700				
			3000K	720				
			4000K	785				
			6000K	775				
		9W	2700K	820				
			3000K	845				
			4000K	930				
			6000K	910				
KSRFRD385	Qr Select II Fire Rated Quad CCT Dual wattage Dimmable LED Downlight	5W	2700K	560	64°	>84	E	I
			3000K	590				
			4000K	640				
			6000K	635				
		7W	2700K	700				
			3000K	760				
			4000K	820				
			6000K	795				
KSRFRD352	FireBreak Qr Chrome Detachable Bezel							
KSRFRD353	FireBreak Qr Satin Chrome Detachable Bezel							
KSRFRD354	FireBreak Qr Brass Detachable Bezel							
KSRFRD355	FireBreak Qr Black Detachable Bezel							
KSRFRD356	FireBreak Qr Converter Plate White							
KSRFRD357	FireBreak Qr Converter Plate Chrome							
KSRFRD358	FireBreak Qr Converter Plate Satin Chrome							
KSRFRD363	FireBreak Qr Tilt Chrome Detachable Bezel							
KSRFRD364	FireBreak Qr Tilt Satin Chrome Detachable Bezel							
KSRFRD365	FireBreak Qr Tilt Black Detachable Bezel							
KSRFRD367	FireBreak Qr Satin Brass Detachable Bezel							
KSRFRD368	FireBreak Qr Copper Detachable Bezel							
KSRFRD369	FireBreak Qr Antique Brass Detachable Bezel							
KSRFRD390	FireBreak Qr Square White Detachable Bezel							
KSRFRD391	FireBreak Qr Square Chrome Detachable Bezel							
KSRFRD392	FireBreak Qr Square Satin Chrome Detachable Bezel							
KSRFRD393	FireBreak Qr Square Black Detachable Bezel							
KSRFRD394	FireBreak Qr Square Satin Brass Detachable Bezel							

KSRFRD383* & KSRFRD384* - Both Available in Self-Test Emergency

Nominal voltage	220~240VAC
Operating frequency	50Hz
Circuit Current (FRD383) – 5W / 7W / 9W	0.025 / 0.030 / 0.035
Driver Current (FRD383) – 5W / 7W / 9W	150mA / 190Ma / 240mA
Power Factor (PF) (FRD383) – 5W / 7W / 9W	0.91 / 0.94 / 0.95
In Rush Current – 5W / 7W / 9W	0.171A Max / 0.318A Max / 0.335A Max
Ambient temperature range	-10°C~+35°C
Start time	< 0.5 sec
IP rating	65

Product Code	Emergency Lumen Output
KSRFRD383/EM	200 Lumens
KSRFRD384/EM	200 Lumens

Standards

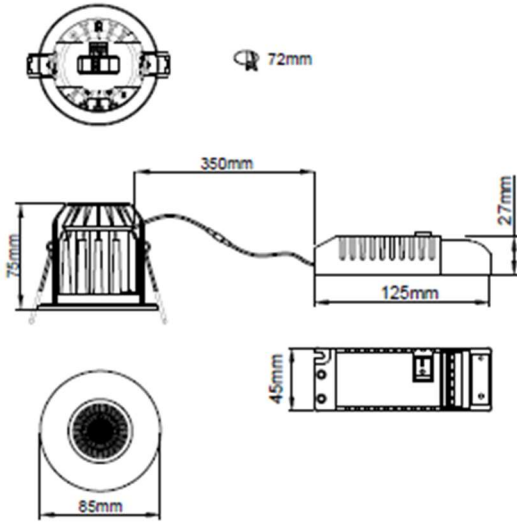
BSEN60598-1:2021 Luminaires – Part 1: General requirements and tests

In Conformity with

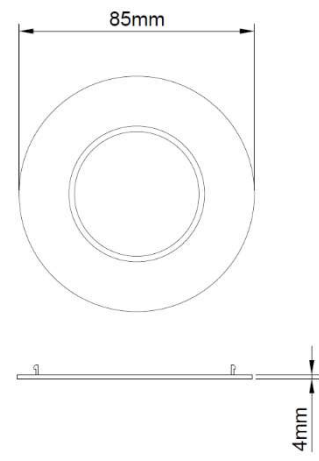
LVD	Low voltage directive 2014/35/EU
EMC	Electromagnetic compatibility directive 2014/30/EU
ERP	Energy related products directive 2019/2020/EC
RoHS	Restriction of hazardous substances 2015/863/EU
Part B	Fully tested for 30, 60 and 90 minute ceiling types using Solid timber joists and 30 minute rated for I-Joist and 250mm/300mm Metal web joists to meet Part B of Building Regulations, specifically Fire Resistance Performance of a load bearing floor with downlighters BS476 : Part 21: 1987 Clause 7

Product Dimensions

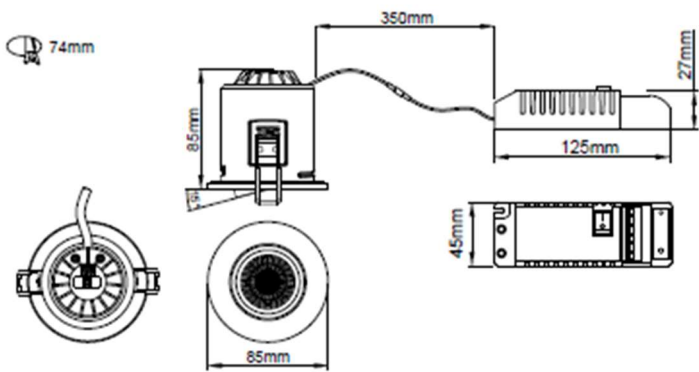
KSRFRD352-355 / KSRFRD367-369



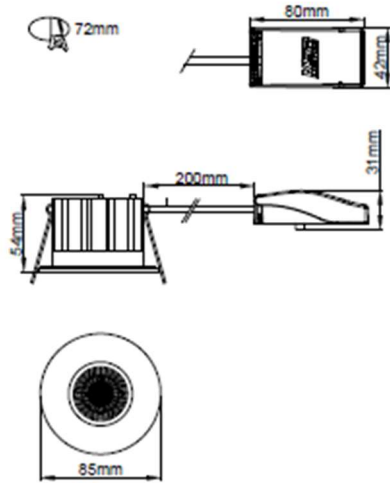
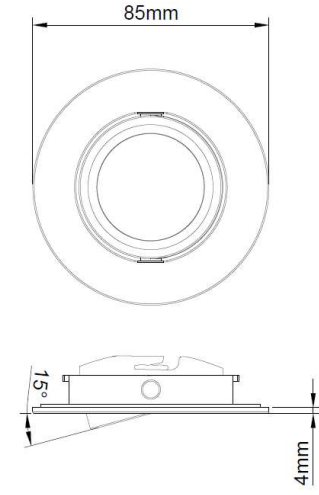
KSRFRD383



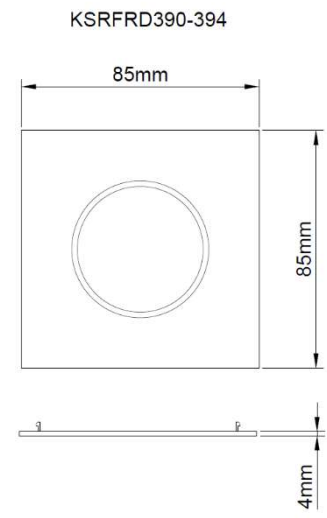
KSRFRD363-365



KSRFRD384



KSRFRD385



KSRFRD390-394

KSR Lighting is constantly developing and improving its products. For this reason, all product descriptions in this data sheet are intended as a general guide, and KSR may change specifications from time to time in the interest of product development, without prior notification or public announcement. All descriptions in this data sheet present only general particulars of the goods to which they refer and shall not form part of any contract. Data in this guide has been obtained in controlled experimental conditions. However, KSR Lighting cannot accept any liability arising from the reliance on such data to the extent permitted.