

Installation Sheet

KSR8415

KSR Controls - Passive Infrared



Recessed or Surface

Read these instructions before commencing installation. Please give these instructions to the owner/occupier after installation to retain for future reference/maintenance.

IP20 240VAC~50Hz

These Sensors are Class II and do not require an Earth connection

Important Information

It is recommended that these Sensors are installed and fitted by a qualified electrician ensuring the installation complies with current IEE wiring regulations & local building control. These products are designed for connection to a 240V~50Hz supply. Any faulty, broken or damaged luminaires should be replaced immediately. KSR will not accept responsibility for any claims arising from a poor installation. Please Note: The limited warranty shall be deemed null and void in the following circumstances: Failure by the installer, end user or any third party to exercise caution to protect any covered product or part from outside damage, adverse temperature (normal operating ambient temperature -10 ~ +40°C), humidity conditions, fluctuations in the electrical system or physical abuse as well as failure related to workmanship in the installation of the products or parts.

Installation Guidelines

Indoor Use Only. Remove the terminal cover, cord grip and keep safe. Ensure a suitable location for the sensor with adequate void, avoiding: Highly reflective surfaces, sources of heat, air conditioning units, lamps, objects that may move in the wind, etc that could cause unwanted triggering. Cut out of 64mm hole. Terminate your mains input cable into the L & N terminals, then connect the luminaire wires into the L' & N terminals on the sensor. Earth provision is provided if required. Replace the terminal cover and cord grip, set the required time and lux settings and install into the ceiling void ensuring the seal is in place. On initial installation it is advised you leave the time setting to 10 Seconds and the Lux setting on the 'sun' symbol. This will allow you to test and set up the sensor as required.

Time - This sensor can switch the lighting from a minimum of 10 Seconds to a maximum of 15 minutes, carefully turn the time dial to the required time.

Lux - This sensor will activate between daylight and 3 Lux, in order to achieve the required 'on' time it is recommended that the sensor is set to 30 Lux and wait 24 hours, after this period you can adjust the Lux control to up or down accordingly.

Position - Ensure you position the sensor in a location suited to the the required activation point, this may not be central to any space.

PIR Specification:

Mains Input - 220~240VAC 50/60Hz
 Lux Control - <3-2000 Lux Adjustable
 Time Setting - Min 10 Seconds +/- 3 Second
 Max 30 Minutes +/- 2 Minutes
 Rated Load - LED 600W
 Halogen 1200W
 Detection Area - 360°
 Detection Distance - 8m Max (<24°C)
 Parasitic Power - 0.5W
 Installation Height - 2.2m~4m
 Detection Speed: 0.6~1.5m/s
 Working Temperature: -10~+40°C

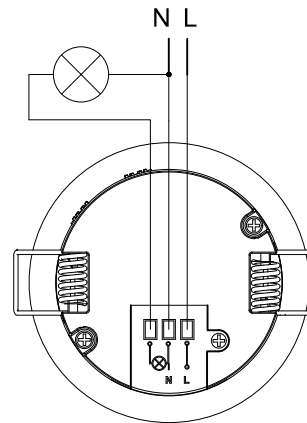
Manual Override

To manually override the sensor switch the wall switch OFF-ON, OFF-ON within 3 seconds. This will override the sensor for 8 hours it will revert back to automatic control. If you wish to revert back manually before the 8 hours switch off then switch on after 0.3sec

KSR Lighting Aftersales: 023 92 674343
 E-mail: aftersales@ksrlighting.com

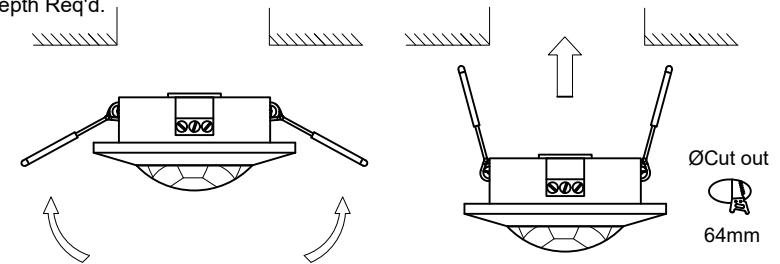


Available finish: White Finish



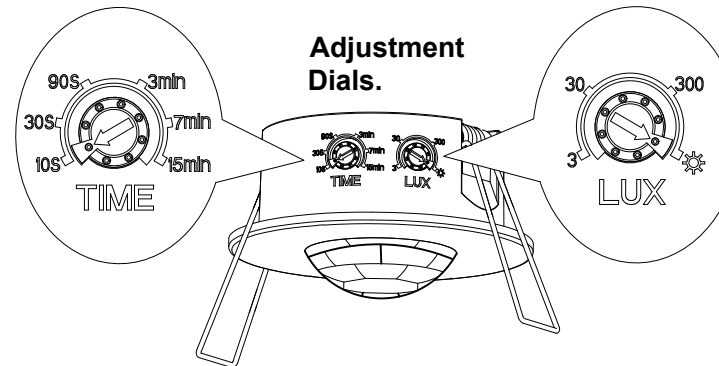
35mm Minimum Void Depth Req'd.

Recessed Option.

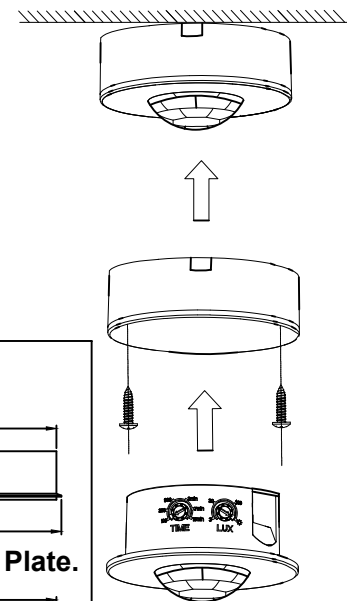


ØCut out
64mm

Adjustment Dials.



Surface Option.



Dimensions.

