

# Ceva

## Pendant Range

LED Pendants



Data Sheet

### Product Information

The Ceva range of pendant luminaire Shades are perfect for counter/table lighting in commercial or domestic applications. With a wide range of Shade Styles & colour options that can be interchanged, these are perfect for your Pendant lighting solution.

They come complete with a 3 year warranty for your peace of mind.



### Product Features

- 3 year warranty
- High efficiency
- IP20
- 7.5W 3000K LED
- CRI: Ra92
- Non-Dimmable
- 40° Beam angle
- Black or White Pendant
- 4 Styles & 4 Colour Shade Options
- Fully Adjustable Pendant drop
- Integrated LED driver
- Lighting designers can download photometric data from our website.
- L70 - 30,000 hours

# Product Specification

Product Code	Product Description	Wattage (W)	CCT (K)	Lumens (lm)	CRI (Ra)	Energy Efficiency Class 2021	Protection Class
KSR7330BLK	Ceva 7.5W LED Pendant Black	7.5	3000	655	92	E	I
KSR7330WH	Ceva 7.5W LED Pendant White	7.5	3000	680	92	E	I
KSR7331	Ceva Cone Shade White / White						
KSR7332	Ceva Cone Shade White / Gold						
KSR7333	Ceva Cone Shade Black / White						
KSR7334	Ceva Cone Shade Black / Gold						
KSR7335	Ceva 140 Shade White / White						
KSR7336	Ceva 140 Shade White / Gold						
KSR7337	Ceva 140 Shade Black / White						
KSR7338	Ceva 140 Shade Black / Gold						
KSR7339	Ceva 240 Shade White / White						
KSR7340	Ceva 240 Shade White / Gold						
KSR7341	Ceva 240 Shade Black / White						
KSR7342	Ceva 240 Shade Black / Gold						
KSR7343	Ceva 360 Shade White / White						
KSR7344	Ceva 360 Shade White / Gold						
KSR7345	Ceva 360 Shade Black / White						
KSR7346	Ceva 360 Shade Black / Gold						

Nominal voltage	220~240V
Operating frequency	50-60Hz
Ambient temperature range	0°C~+40°C
Start time	< 0.5 sec
Beam angle	55°
IP rating	20

## Construction

Body: Extruded Aluminium  
 Diffuser / Shade: Aluminium

## Standards

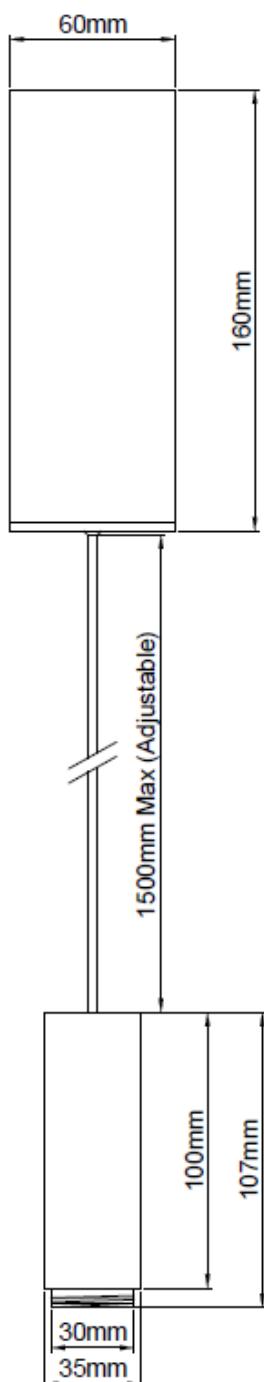
BSEN60598-1:2021 Luminaires – Part 1: General requirements and tests

## In Conformity with

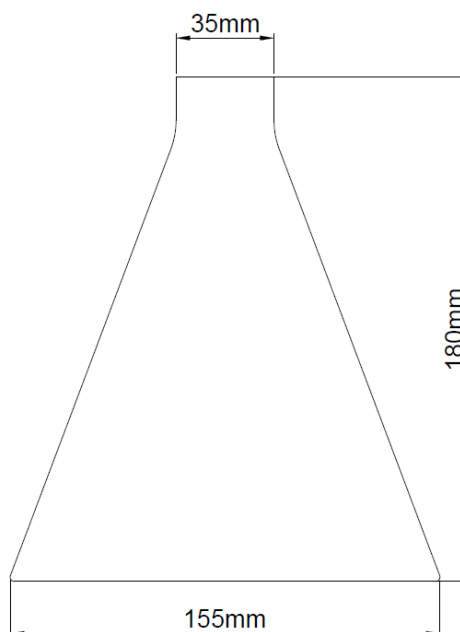
LVD	Low voltage directive 2014/35/EU
EMC	Electromagnetic compatibility directive 2014/30/EU
ERP	Energy related products directive 2019/220/EC
RoHS	Restriction of hazardous substances 2015/863/EU

## Product Dimensions

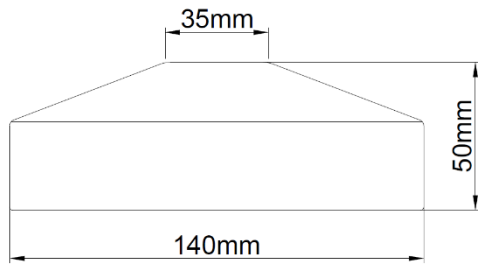
**Dimensions  
(KSR7330)**



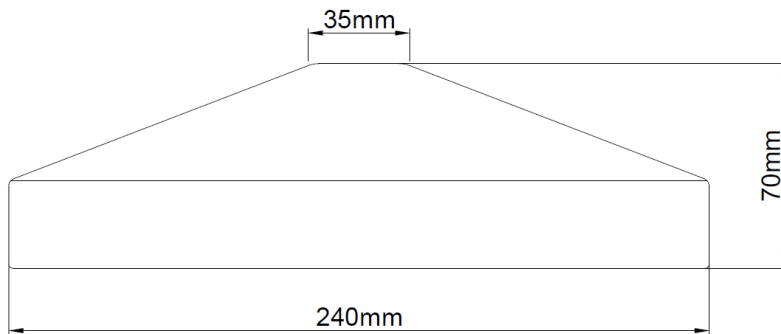
**Dimensions  
(KSR7331 - KSR7334)**



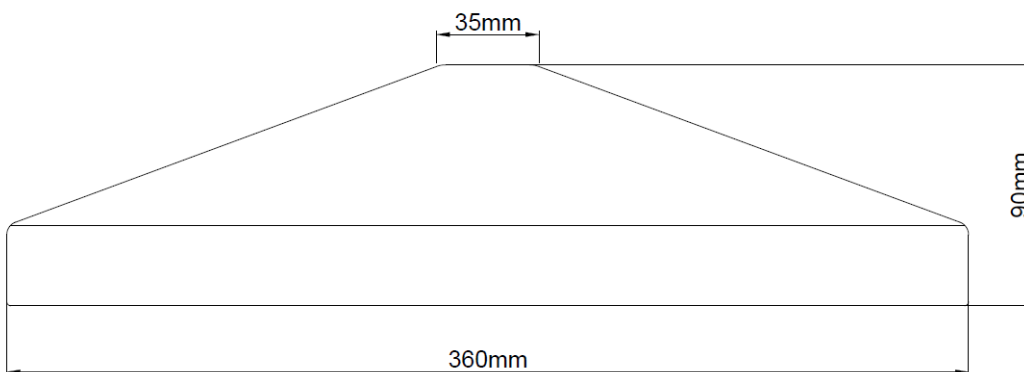
**Dimensions  
(KSR7335 - KSR7338)**



**Dimensions  
(KSR7339 - KSR7342)**



**Dimensions  
(KSR7343 - KSR7346)**



KSR Lighting is constantly developing and improving its products. For this reason, all product descriptions in this data sheet are intended as a general guide, and KSR may change specifications from time to time in the interest of product development, without prior notification or public announcement. All descriptions in this data sheet present only general particulars of the goods to which they refer and shall not form part of any contract. Data in this guide has been obtained in controlled experimental conditions. However, KSR Lighting cannot accept any liability arising from the reliance on such data to the extent permitted.