

Read these instructions before commencing installation. Please give these instructions to the owner/occupier after installation to retain for future reference/maintenance.

IP20 240VAC~50Hz 5W

These fittings are Class I and must be Earthed

Important Information

It is recommended that these luminaires are installed and fitted by a qualified electrician ensuring the installation complies with current IEE wiring regulations & local building control. These products are designed for connection to a 240V~50Hz supply. Any faulty, broken or damaged luminaires should be replaced immediately. KSR will not accept responsibility for any claims arising from a poor installation. Please Note: The limited warranty shall be deemed null and void in the following circumstances: Failure by the installer, end user or any third party to exercise caution to protect any covered product or part from outside damage, adverse temperature (normal operating ambient temperature 0°C - +40°C), humidity conditions, fluctuations in the electrical system or physical abuse as well as failure related to workmanship in the installation of the products or parts.

Important User Advice

Always switch off mains supply before servicing. Do not use Megger or similar high voltage instruments. Due to the fact this luminaire contains electronic components that maybe damaged by high test voltages, they must be disconnected from the circuit before testing. To prevent damage to the driver, do not mix with conventional magnetic ballasts on the same electrical circuit. At the end of life the luminaire is classed as WEEE under directive 2014/30/EU and should be disposed of in accordance with local legislation.

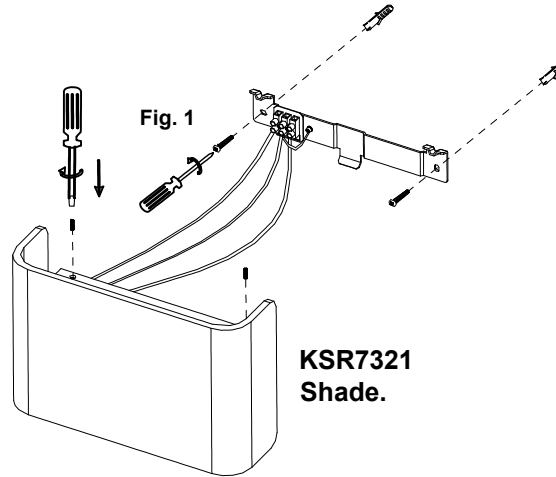
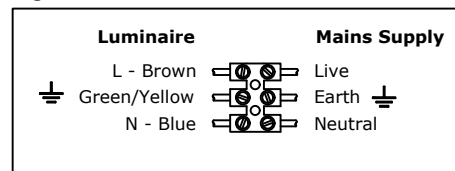
Installation Details

Secure your chosen shade to this base section using the two fixing screws provided. Remove the retaining grub screws from the top of the wall light holding the back plate to the fitting. Secure the back plate to a suitable surface, dressing supply cable to ensure it is not snagged on any part of the bracket. Connect the mains supply to the terminal block following the marking on the base and/or the guide in Fig 1 as below. Place the fitting back on to the base plate and secure with the grub screw. Turn on the power and test.

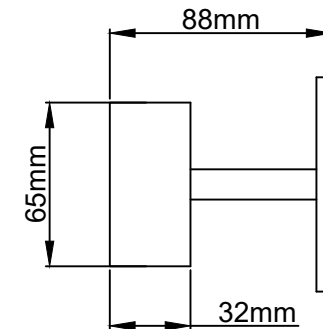
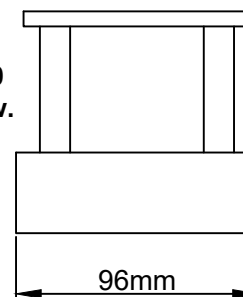
Available Shades:

- KSR7321WHITE
- KSR7321 BLACK
- KSR7321 BRUSHED BRASS

Fig. 1

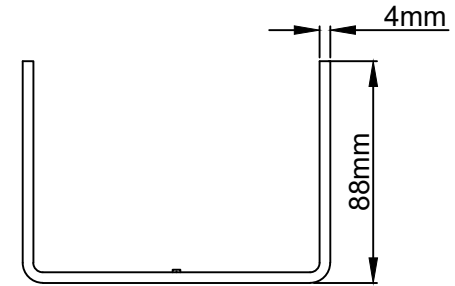


KSR7320 Top View.

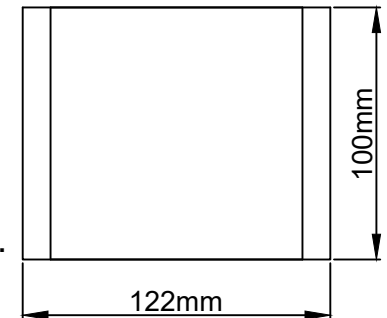


KSR7320 Side View.

KSR7321 Top View.



KSR7321 Front View.



Lamp Details

Lamp: LED Module
 Wattage: 5W, 405 lumens
 Colour: 3000K Warm White
 CRI: Ra>92

Base Finish: White Only
 Shade Finish: White, Black or Brushed Brass

*This product contains a light source of energy efficiency class F
 The LED light source and Control Gear in this product can be replaced by a professional*



KSR Lighting Aftersales: 023 92 674343
 E-mail: aftersales@ksrlighting.com