



Available finishes:- Black or White

Read these instructions before commencing installation. Please give these instructions to the owner/occupier after installation to retain for future reference/maintenance.

IP20 48VDC - 150W Max

This Range is Class III (Except* Which is Class II) and is designed to be supplied from a separated/safety extra-low voltage (SELV) power source. The voltage from a SELV supply is low enough that under normal conditions a person can safely come into contact with it without risk of electrical shock

Important Information

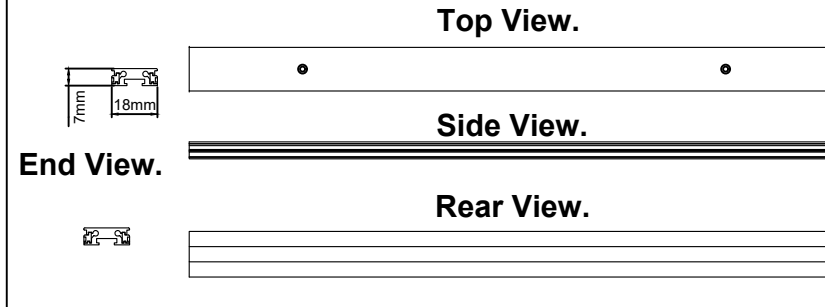
It is recommended that these luminaires are installed and fitted by a qualified electrician ensuring the installation complies with current IEE wiring regulations & local building control. These products are designed for connection to a 48VDC supply. Any faulty, broken or damaged luminaires should be replaced immediately. KSR will not accept responsibility for any claims arising from a poor installation. Please Note: The limited warranty shall be deemed null and void in the following circumstances: Failure by the installer, end user or any third party to exercise caution to protect any covered product or part from outside damage, humidity conditions, fluctuations in the electrical system or physical abuse as well as failure related to workmanship in the installation of the products or parts.

Important User Advice

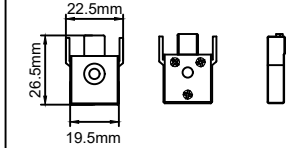
Always safely isolate the mains supply before installing, servicing or maintenance. Please ensure that a suitable maintenance schedule is performed to ensure the product gives you a long lasting trouble free life.

10 Metre Max Run Permitted and max wattage of 150W regardless of Driver output etc. The system is NOT dimmable. Can be wall or ceiling mounted. DO NOT slide the fittings along the track as this will mark / damage the track, push the tabs in at each end of the track adaptor to remove. An end cap is required to take any of the other accessories (Except Live feed & Power Supply).

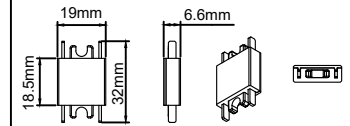
KSR6600 - 1 Metre Track & **KSR6601** - 2 Metre Track -Fix to surface with provided fixings or fixings suitable for the surface, screw cover stickers provided.



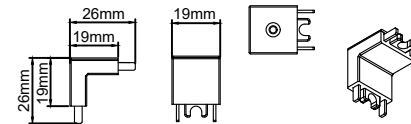
KSR6602 - End Cap - Required to take Accessories
KSR6603 - KSR6606



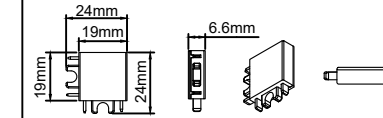
KSR6603 - Straight Connector



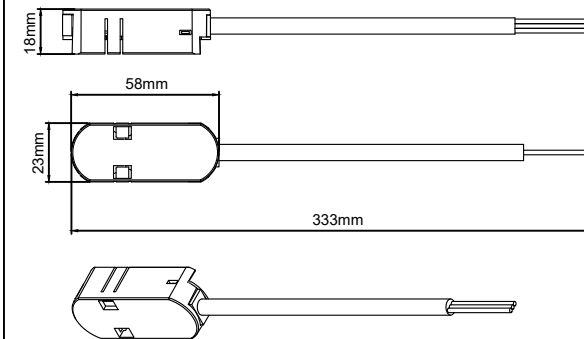
KSR6605 - In Connector



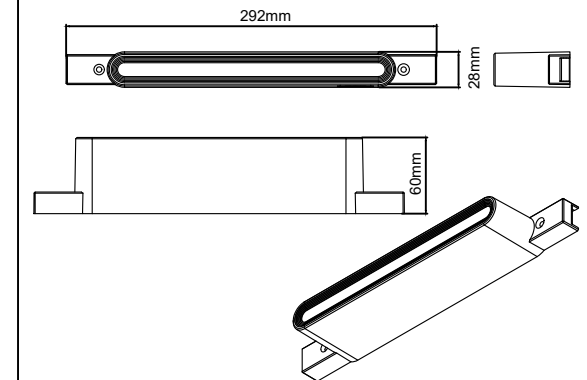
KSR6604 - L Connector



KSR6607 - Live End - (Can go anywhere along the track) c/w 275mm Cable



KSR6608* - 100W End Power Supply (10M Max Run) Class II



KSR6606 - Surface Wall Kit (max 2m track with kit each end)

