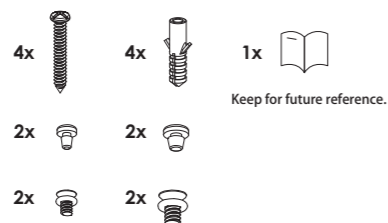
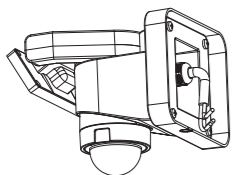




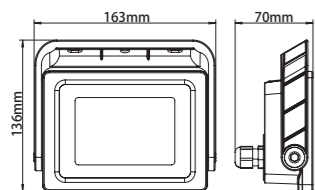
User Manual

KSR5333 - Siena FL IP65 PIR Accessory

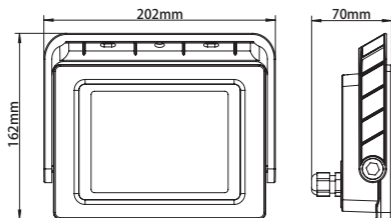
Package Contents



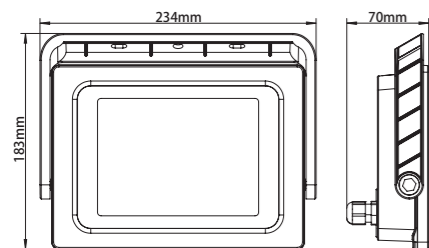
Product Dimensions



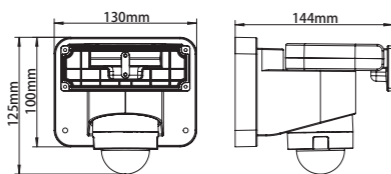
KSR5330 10/20W



KSR5331 20/30W



KSR5332 20W/30W/50W



KSR5333 IP65 PIR Sensor C/N Dusk to Dawn

Technical Specifications

Power supply: 220-240 V, 50-60 Hz

Sensor technology: passive infrared

Angle of coverage: 270° with 130° angle of aperture

Time setting: 10 s – 15 min

Lux setting: 0-1000 Lux

Reach: max.6m

Mounting height: 3 m

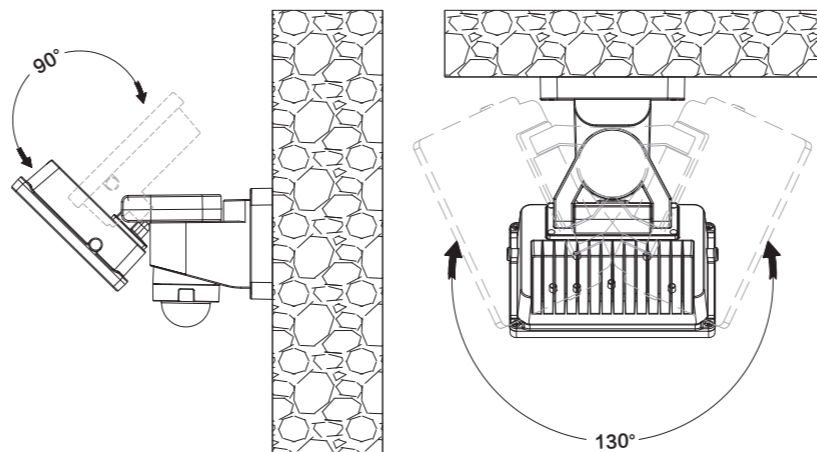
IP Rating: IP65

Protection class: I

Ambient temperature: -10 °C to +30 °C

Energy efficiency class: F

Flood Light Adjustment Range



General Safety Precautions

- These instructions contain important information on the safe installation use of this product.
- Read instructions carefully.
- Keep instructions within easy reach.

- Must be installed by qualified electrician.
- The latest wiring regulations and electrical operating conditions must be adhered to.
- Only use genuine replacement parts.
- The floodlight enclosure heats up when the light is on. Only adjust the LED panel once it has cooled down.

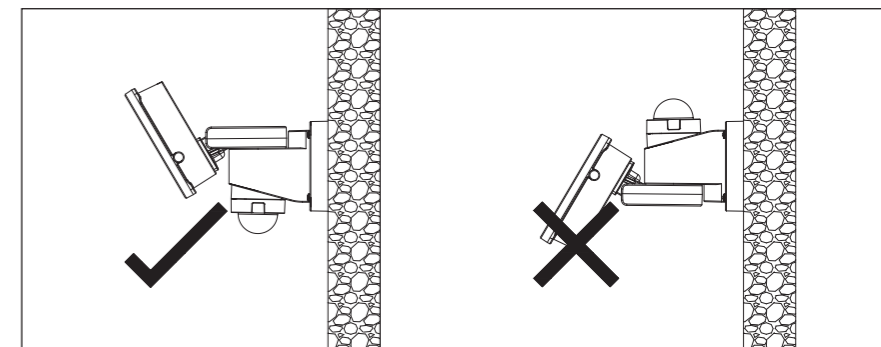
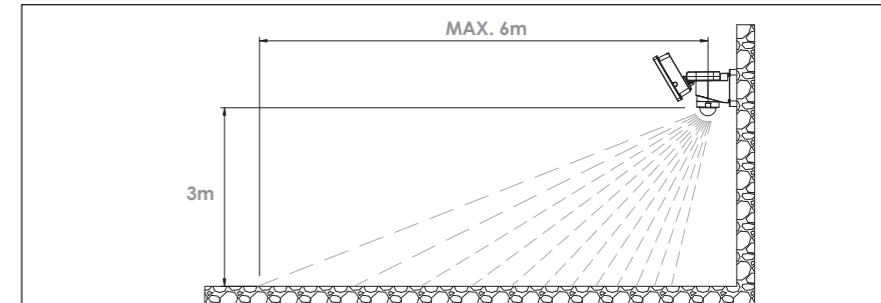
Features

- Tilting and turning LED floodlight.
- Moveable sensor housing.
- Operation via control dial.
- Infrared motion detector.
- 3 color temperature selectable via control dial.
- Lumen outputs selectable via control dial.

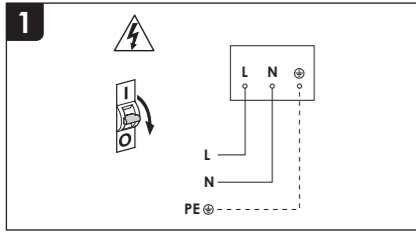
Operating Principle

- The integrated infrared sensor detects the heat radiated from moving objects (e.g. people, animals).
- The heat detected in this way is converted electronically into a signal that automatically switches ON a connected load (e.g. a light).
- The most reliable way of detecting motion is to install the unit with the sensor aimed across the direction in which a person would walk.
- Reach is restricted when the unit is approached head on.
- Obstacles (e.g. trees, walls etc.) interrupt the line of sensor vision.
- Heat radiation is not detected through obstacles (e.g. walls or panes of glass), the sensor is not triggered.
- Sudden fluctuations in the temperature from changes in weather are not distinguished sources of heat.

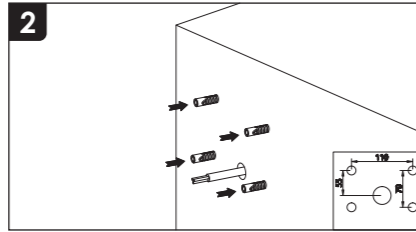
Installation Procedure



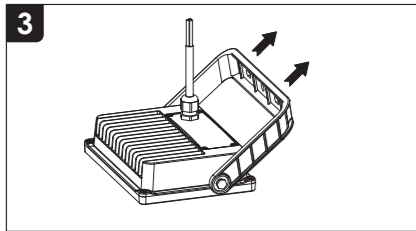
Installation Procedure



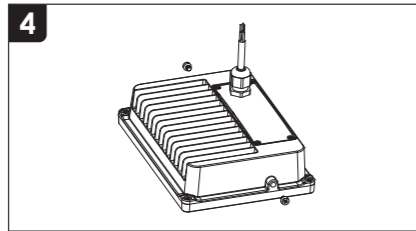
Switch OFF power at the mains.



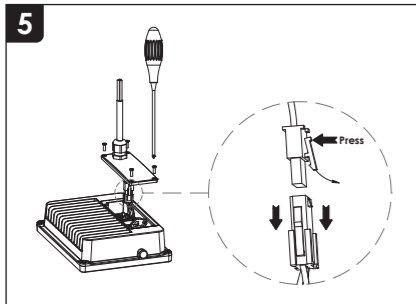
Drill holes and fit rawlplugs.



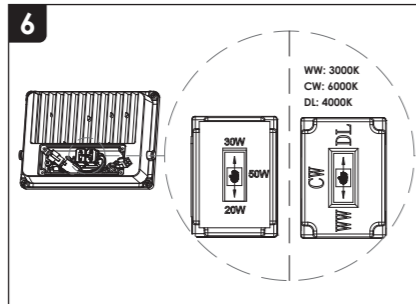
Remove the bracket from the lamp.



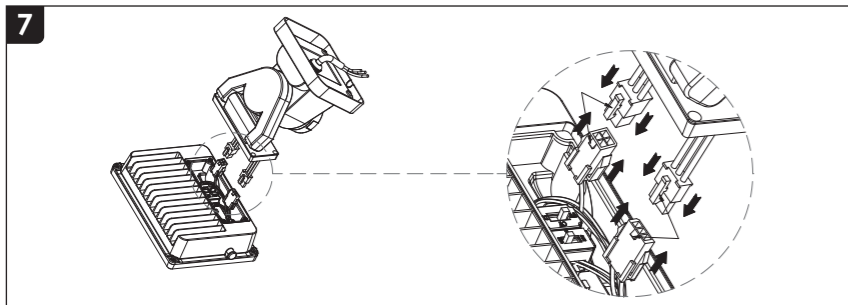
Plug the two holes with rubber washers provided.



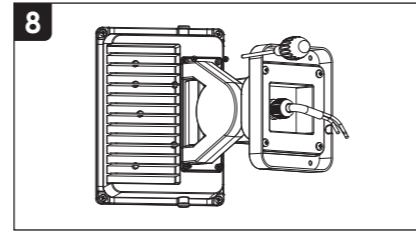
Remove the cover of the junction box. Unplug the power cable and the link connector.



Adjust the wattage and color temperature by switches. 20W can select 2 wattages (10W/20W), 30W can select 2 wattages (20W/30W), 50W can select 3 wattages (20W/30W/50W).

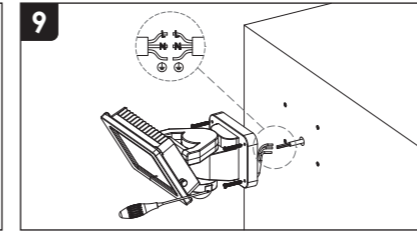


Plug-in the cables of lamp and sensor.



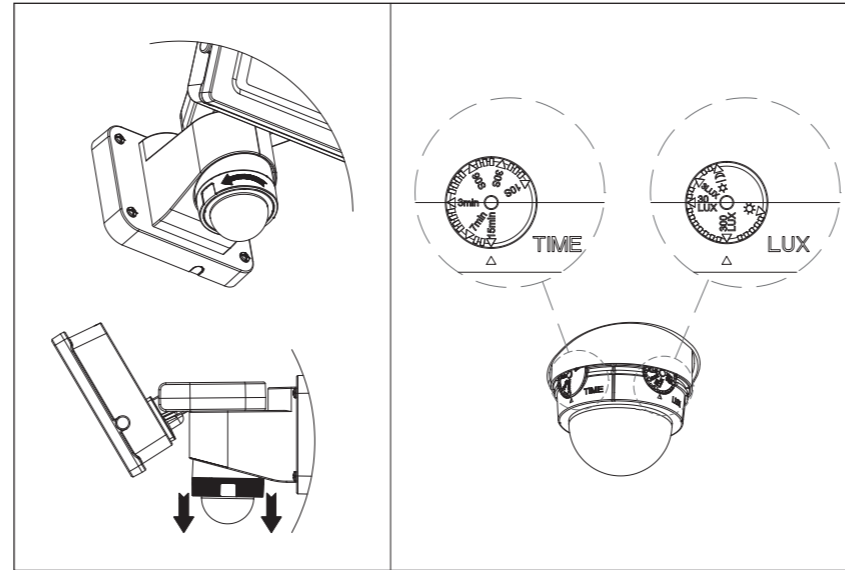
Fit the cover of the sensor onto the flood light body ensuring that the seal is clean and undamaged. Ensure no cables are trapped in the seal.

Note: the screws should be tightened evenly and securely do not over tighten.



Terminate wiring to the mains supply and fix the sensor base to the wall.

Function



Factory setting

Time setting: 10 seconds

Twilight setting: Daylight/walk test mode

All functions can be set after removing the ring cover. (as shown above)

Time setting

The time you want the LED floodlight to stay on for (main light) is fully adjustable from 10s-30s-90s-3min-7min-15min. Any movement detected before this time elapses will restart the timer.

Twilight setting

The LED floodlight's chosen response threshold can be adjusted from approx. 0-1000lux

- Control dial set to ☒ = daylight/walk test mode (PIR will operate in daylight).
- Control dial set to ☒ (|☒ = 0 Lux (motion sensor will work in complete darkness only)
- Control dial set to 3 LUX, the lamp switch on when the ambient brightness less than 3 LUX, and switch off when the ambient brightness more than 3 LUX.
- Control dial set to 30 LUX, the lamp switch on when the ambient brightness less than 30 LUX, and switch off when the ambient brightness more than 30 LUX.
- Control dial set to 300 LUX, the lamp switch on when the ambient brightness less than 300 LUX, and switch off when the ambient brightness more than 300 LUX.

How to turn on dusk to dawn operation (Remove PIR detection):

Under normal PIR mode, switch off and on within 3 seconds to enter into Dusk to Dawn operation automatically. (Dusk to Dawn: The lamp switches on when the brightness is less than 15 lux, and switches off when the brightness is greater than 50 lux.)

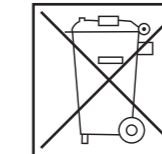
How to reset PIR function:

Under Dusk to Dawn operation, switch off and on within 3 seconds, then enter into normal PIR mode automatically.

Disposal

Electrical and electronic equipment, accessories and packaging must be recycled in an environmentally compatible manner WEEE.

Do not dispose of electrical and electronic equipment as domestic waste.



KSR
LIGHTING

KSR Lighting Ltd, Optimum House, Beeding Close, Southern Cross Trading Estate, Bognor Regis, West Sussex, PO22 9TS.