



Base Finish: White

Read these instructions before commencing installation. Please give these instructions to the owner/occupier after installation to retain for future reference/maintenance.

**IP20** **UK CA** **CE** **240VAC~50Hz 9W**

These fittings are Class I and must be Earthed

**Important Information**

It is recommended that these luminaires are installed and fitted by a qualified electrician ensuring the installation complies with current IEE wiring regulations & local building control. These products are designed for connection to a 240V~50Hz supply. Any faulty, broken or damaged luminaires should be replaced immediately. KSR will not accept responsibility for any claims arising from a poor installation. Please Note: The limited warranty shall be deemed null and void in the following circumstances: Failure by the installer, end user or any third party to exercise caution to protect any covered product or part from outside damage, adverse temperature (normal operating ambient temperature 0°C - +40°C), humidity conditions, fluctuations in the electrical system or physical abuse as well as failure related to workmanship in the installation of the products or parts.

**Important User Advice**

Always switch off mains supply before servicing. Do not use Megger or similar high voltage instruments. Due to the fact this luminaire contains electronic components that maybe damaged by high test voltages, they must be disconnected from the circuit before testing. To prevent damage to the driver, do not mix with conventional magnetic ballasts on the same electrical circuit. At the end of life the luminaire is classed as WEEE under directive 2014/30/EU and should be disposed of in accordance with local legislation.

**Installation Details**

Secure your chosen shade to this base section using the two fixing screws provided. Remove the retaining grub screws from the top of the wall light holding the back plate to the fitting. Secure the back plate to a suitable surface, dressing supply cable to ensure it is not snagged on any part of the bracket. Connect the mains supply to the terminal block following the marking on the base and/or the guide in Fig 1 as below. Place the fitting back on to the base plate and secure with the grub screw. Turn on the power and test.

**Optional Shades:**

- KSR7191 Phily Shade - Polished Aluminium, Brushed Brass, Black or White (Sold Separately)**
- KSR7292 Brook Shade - Polished Aluminium, Brushed Brass, Black or White (Sold Separately)**
- KSR7293 Bridge Shade - White, Black or or Brushed Brass (Sold Separately)**

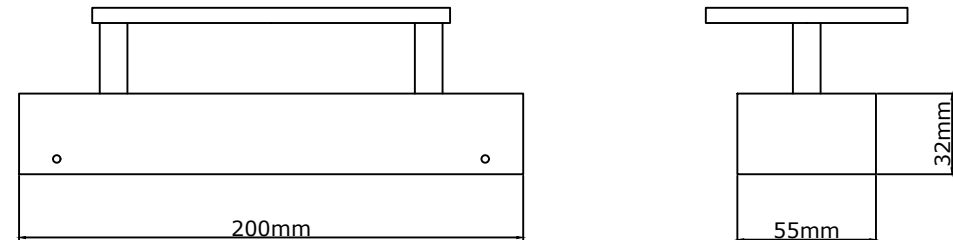
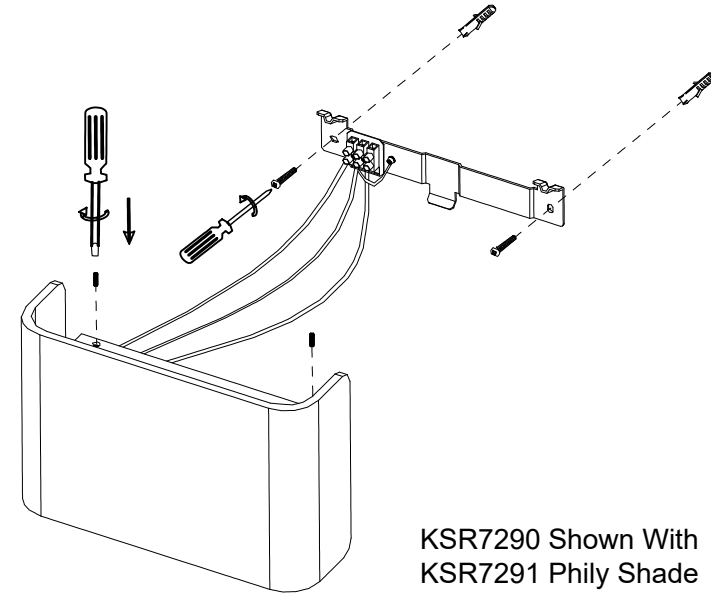
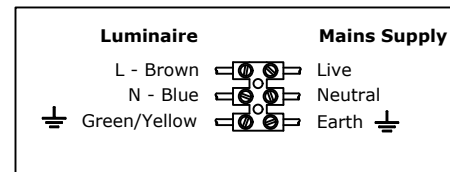


Fig. 1



**Lamp Details**

Lamp: LED Module  
 Wattage: 9W, 546 lumens  
 Colour: 3000K Warm White  
 CRI: Ra>82

*This product contains a light source of energy efficiency class F  
 The LED light source and Control Gear in this product can be replaced by a professional*

KSR Lighting Aftersales: 023 92 674343  
 E-mail: aftersales@ksrlighting.com

