



Read these instructions before commencing installation. Please give these instructions to the owner/occupier after installation to retain for future reference/maintenance.

IP44 240V~50Hz GU10 35W Max

These fittings are Class I and must be Earthed

**Important Information**

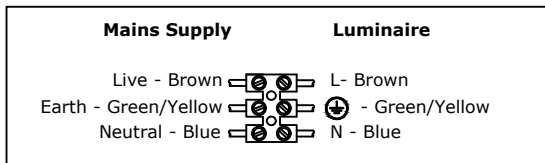
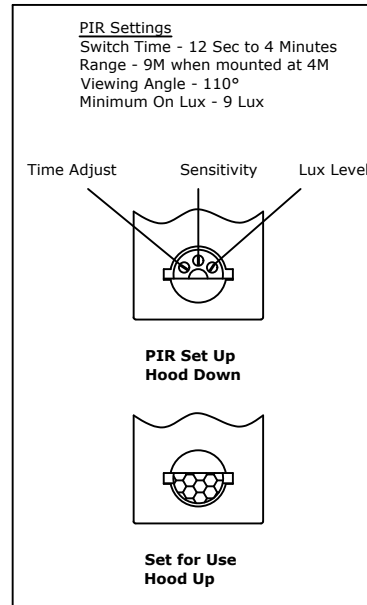
It is recommended that these luminaires are installed and fitted by a qualified electrician ensuring the installation complies with current IEE wiring regulations & local building control. These products are designed for connection to a 240V~50Hz supply. Any faulty, broken or damaged luminaires should be replaced immediately. KSR will not accept responsibility for any claims arising from a poor installation. Please Note: The limited warranty shall be deemed null and void in the following circumstances: Failure by the installer, end user or any third party to exercise caution to protect any covered product or part from outside damage, adverse temperature (normal operating ambient temperature 0 ~ +35°C), humidity conditions, fluctuations in the electrical system or physical abuse as well as failure related to workmanship in the installation of the products or parts.

**General Maintenance**

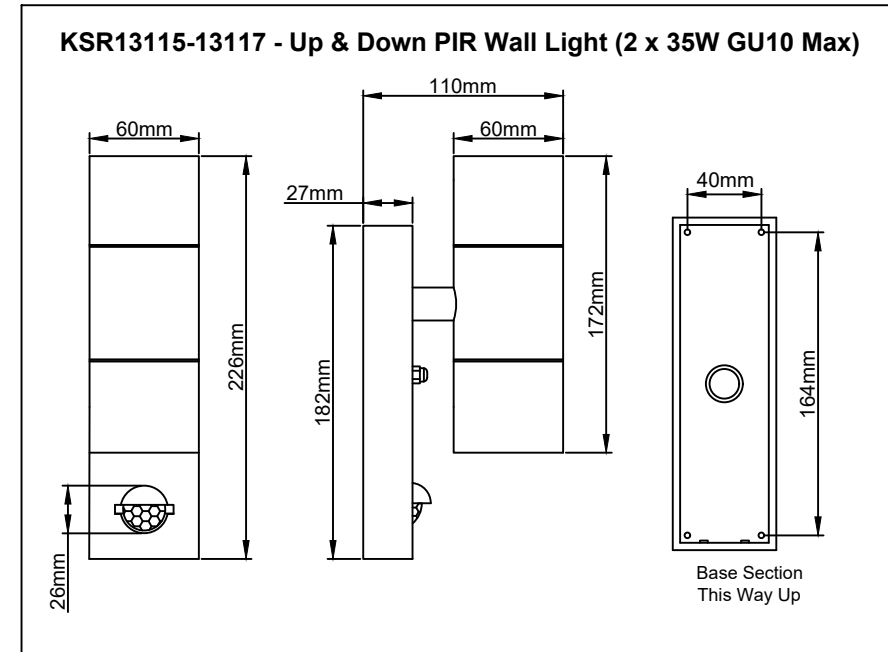
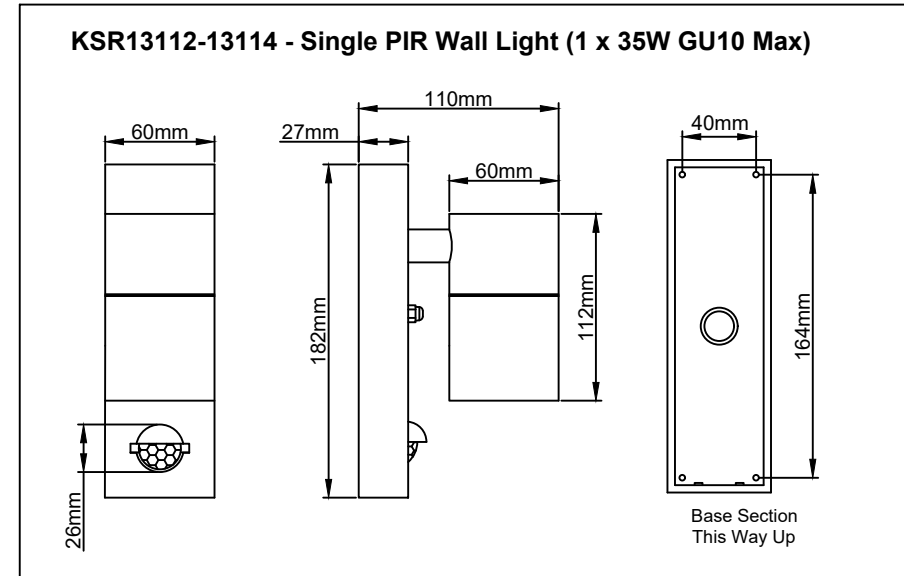
General maintenance and cleaning should be performed at least quarterly. Clean product outer using a damp cloth, dried and buffed to a shine. As a raw finished material atmospheric deposits may build up on the surface, this can be cleaned off to return the product to it's original look. After any maintenance or lamp replacement, remember to check all seals are intact.

**Installation Procedure**

Familiarize yourself with the luminaire, remove the two chrome dome nuts that secure the main fitting to the mounting plate. Set aside the dome nuts. Offer the base plate up to a suitable surface and mark the four fixing points, ensuring the drain holes at the bottom of the plate. Once drilled, dress the mains supply cable through the grommet and secure to the wall. Terminate the mains supply into the terminal block, following the markings on the fitting. Ensure the main gasket is seated correctly on the base plate and place the fitting onto it, refit and tighten the dome nuts. Remove the cap and fit GU10 lamp, if using GU10 LED lamp ensure they are suitable for enclosed housings. Refit the cap, please check it is secure to ensure a good seal. Flip the small hood on the PIR down to access the PIR settings, adjust the Time, Sensitivity, and Lux to suit, close the hood. Turn on the power and test the luminaire.



Available finish:- 304 or 316L Stainless Steel, Copper or Black.



KSR Lighting Aftersales: 023 92 674343  
E-mail: aftersales@ksrlighting.com

KSR Lighting Ltd, Optimum House, Beeding Close, Southern Cross Trading Estate, Bognor Regis, West Sussex, PO22 9TS.