

Starlet ID Select Backlit Panel

Commercial Lighting



Product Information

The Starlet Indirect / direct Select Backlit Panel design makes it ideal for commercial applications and this incorporated with its high-quality TP(a) rated diffuser, the panel can be used throughout the install without restriction. Along with the convenience of being able to switch between wattages & colour temperatures thus making it a very versatile panel.

The panels diffuser construction also helps lighting designers achieve UGR19 compliant schemes.

Product Features

- 5-year warranty
- Class II
- IP20
- Switchable in 3000K, 4000K and 6000K colour temperatures
- Switchable outputs – 28/32/36 & 40W for 98160 and 48/52/56 & 60w for the 98161 via dip switches.
- TP(a) Diffuser as standard
- Plug & Play Driver
- Suitable for T Grid & Suspended Ceilings
- Part L compliant
- Helps to achieve UGR19 compliant lighting designs.
- Dimmable Versions available, DALI, Switch Dim & 1-10V
- Self-test Emergency option Available
- L70 – 40,000hrs
- Up to 128lm per Circuit watt

Product Specification

Product Code	Product Description	Wattage (W)	CCT (K)	Lumens (lm)	CRI (Ra)	2021 Energy Efficiency Class	Protection Class	Circuit Current	Driver Current		
98160	Starlet Indirect / Direct Multi-wattage 3CCT LED 600x600 Backlit TPa Panel 105 Deg Beam Angle	28	3000	3210	84	E	II		700mA		
			4000	3440	84	E					
			6000	3340	84	E					
		32	3000	3630	84	E	II		800mA		
			4000	3930	84	E					
			6000	3780	84	E					
		36	3000	3945	84	E	II		900mA		
			4000	4330	84	E					
			6000	4120	84	E					
		40	3000	4300	84	E	II		1000mA		
			4000	4730	84	E					
			6000	4500	84	E					
98161	Starlet Indirect / Direct Multi-wattage 3CCT LED 1200x600 Backlit TPa Panel 120 Deg Beam Angle	48	3000	4530	84	F	II		1200mA		
			4000	4885	84	F					
			6000	4785	84	F					
		52	3000	4855	84	F	II		1300mA		
			4000	5270	84	F					
			6000	5130	84	F					
		56	3000	5210	84	F	II		1400mA		
			4000	5650	84	F					
			6000	5445	84	F					
		60	3000	5445	84	F	II		1500mA		
			4000	5940	84	F					
			6000	5775	84	F					
		Optional Accessories:									
		9853	Starlet 600mm x 600mm x 85mm Surface Frame (Not available for the 1200x600)								

*For emergency options add EM after the part number

**dimming options TBC

Technical Data	600x600 LED Panel	600x1200mm LED Panel
Nominal voltage	200~240VAC	200~240VAC
Operating frequency	50/60Hz	50/60Hz
Circuit Wattage	28W = 26.75W inc. driver losses	48W = 46.56W inc. driver losses
	32W = 31.05W inc. driver losses	52W = 50.08W inc. driver losses
	36W = 34.68W inc. driver losses	56W = 54.21W inc. driver losses
	40W = 39.16W inc. driver losses	60W = 58.10W inc. driver losses
PFC	0.9	0.96
Max In Rush Current	13.86A	14.83A
Start Time	< 0.5 Sec	< 0.5 Sec
Ambient temperature range	0°c to +35°c	0°c to +35°c

Construction

Rim / Body: Aluminium
Diffuser: Polycarbonate TP(a) rated

Standards

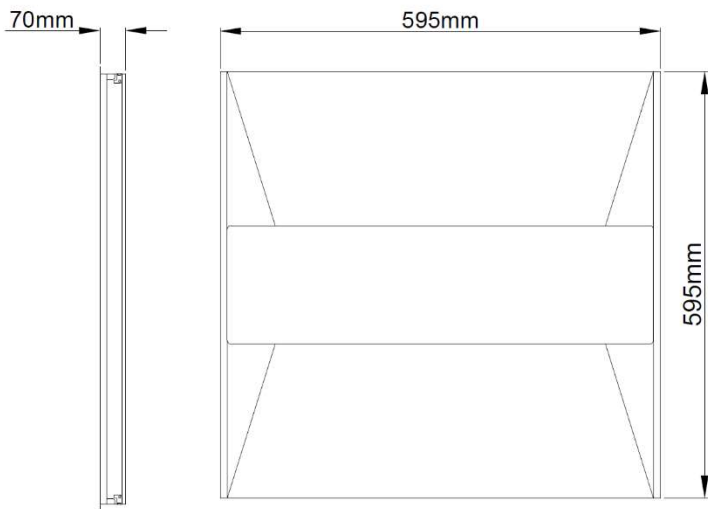
BSEN60598-1:2021 Luminaires – Part 1: General Requirements and tests
BSEN60598-2-22:2014+A1 2020 Luminaires – Part 2: Luminaires emergency lighting

In Conformity with

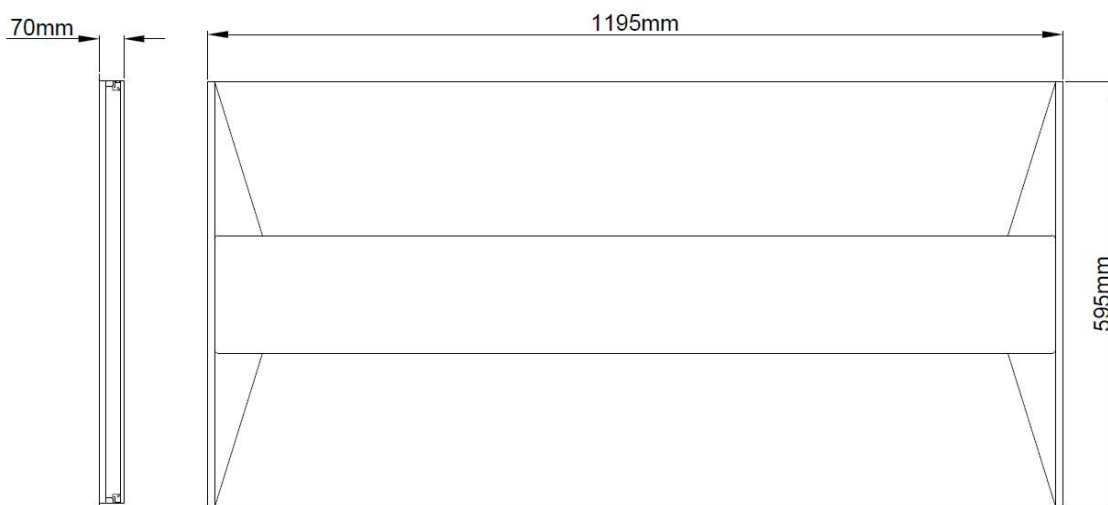
LVD Low voltage directive 2014/35/EU
EMC Electromagnetic compatibility directive 2014/30/EU
ERP Energy related products directive 2019/2020/EU
RoHS Restriction of hazardous substances 2015/863/EU

Product Dimensions

KSR98160



KSR98161



Lighting is constantly developing and improving its products. For this reason, all product descriptions in this data sheet are intended as a general guide, and may change specifications from time to time in the interest of product development, without prior notification or public announcement. All descriptions in this data sheet present only general particulars of the goods to which they refer and shall not form part of any contract. Data in this guide has been obtained in controlled experimental conditions. However, we cannot accept any liability arising from the reliance on such data to the extent permitted.