

Maxima Dual CCT LED

Commercial Lighting



Data Sheet

Product Information

The Maxima Dual CCT LED surface fittings are a Dual CCT surface mounted luminaire with an optional Halo effect trim attachment in multiple finishes. Colour temperature selectable for 3000K or 4000K.

We have 3 versions in this range 12W,24W and 30W.

Comes with a 3 year warranty (1 year for the Rims).

Product Features

- 3 year warranty
- Class II
- IP54
- Colour Temperature selectable 3000K or 4000K
- CRI: Ra>82
- 3 outputs to choose from: 12w, 24w and 30w
- Wall or ceiling mountable
- Optional Trim creates halo effect
- Emergency versions available
- Microwave versions available
- Multiple rim options: Black, White, Chrome, Satin Chrome & Mat Gold
- L70/B10 – 50,000hrs

Product Specification

Product Code	Product Description	Wattage (W)	CCT (K)	Lumens (lm)		CRI (Ra)	Protection Class
				Without Rim	With Rim		
KRSRF350	Maxima S 12w Dual CCT LED IP54 surface fitting	12	3000	1050	780	83	II
			4000	1110	830		
KRSRF351	Maxima S 12w Dual CCT LED IP54 surface fitting c/w Microwave Sensor	12	3000	1050	780	83	II
			4000	1110	830		
KRSRF355	Maxima M 24w Dual CCT LED IP54 surface fitting	24	3000	2110	1760	83	II
			4000	2165	1805		
KRSRF356	Maxima M 24w Dual CCT LED IP54 surface fitting Emergency	24	3000	2110	1760	83	II
			4000	2165	1805		
KRSRF357	Maxima M 24w Dual CCT LED IP54 surface fitting c/w Microwave Sensor	24	3000	2110	1760	83	II
			4000	2165	1805		
KRSRF358	Maxima M 24w Dual CCT LED IP54 surface fitting Emergency and Microwave Sensor	24	3000	2110	1760	83	II
			4000	2165	1805		
KRSRF362	Maxima L 30w Dual CCT LED IP54 surface fitting	30	3000	2720	2300	83	II
			4000	2775	2415		
KRSRF363	Maxima L 30w Dual CCT LED IP54 surface fitting Emergency	30	3000	2720	2300	83	II
			4000	2775	2415		
KRSRF364	Maxima L 30w Dual CCT LED IP54 surface fitting c/w microwave sensor	30	3000	2720	2300	83	II
			4000	2775	2415		
KRSRF365	Maxima L 30w Dual CCT LED IP54 surface fitting Emergency and Microwave Sensor	30	3000	2720	2300	83	II
			4000	2775	2415		
Accessories							
KRSRF352	Maxima S White Rim						
KRSRF353	Maxima S Chrome Rim						
KRSRF354	Maxima S Satin Chrome Rim						
KRSRF359	Maxima M White Rim						
KRSRF360	Maxima M Chrome Rim						
KRSRF361	Maxima M Satin Chrome Rim						
KRSRF366	Maxima L White Rim						
KRSRF367	Maxima L Chrome Rim						
KRSRF368	Maxima L Satin Chrome Rim						
KRSRF370	Maxima S Black Rim						
KRSRF371	Maxima S Mat Gold Rim						
KRSRF372	Maxima M Black Rim						
KRSRF373	Maxima M Mat Gold Rim						
KRSRF374	Maxima L Black Rim						
KRSRF375	Maxima L Mat Gold Rim						

Technical Data	Maxima S	Maxima M	Maxima L
Nominal voltage	200~240VAC	200~240VAC	200~240VAC
Operating frequency	50-60Hz	50-60Hz	50-60Hz
Circuit Wattage	12.6w including Driver Losses	24.6w including driver	29.3w including driver
Circuit Current	0.058	0.112	0.133A
Driver Current Rating	200mA	200mA	200mA
PFC	0.92	0.92	0.93
In Rush Current	0.918A Max peak @ 0-40ms	2.813A Max Peak @ 0-40ms	1.981A Max Peak @ 0-40ms
Start Time	< 0.5 Sec	< 0.5 Sec	< 0.5 Sec
Ambient temperature range	-20°c to +40°c	-20°c to +40°c	-20°c to +40°c
IP rating	54	54	54

Construction

Body:	Polycarbonate
Diffuser:	PMMA
Rim:	ABS

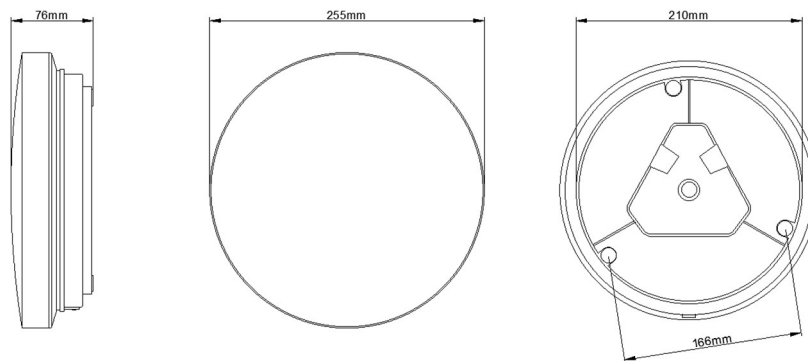
Standards

BSEN60598-1:2021	Luminaires – Part 1: General requirements and tests
BSEN60598-2-22:2014+ A1 2020	Luminaires – Part 2: Luminaires for Emergency Lighting

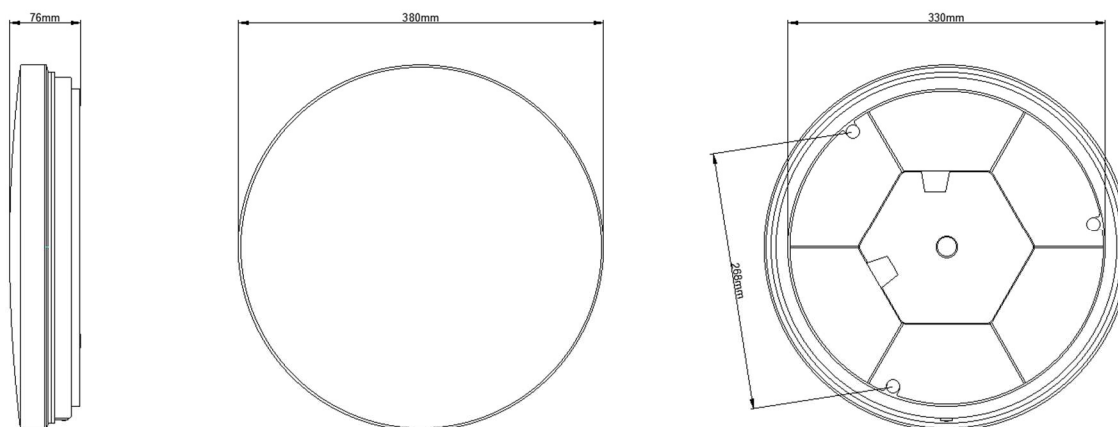
In Conformity with

LVD	Low voltage directive 2014/35/EU
EMC	Electromagnetic compatibility directive 2014/30/EU
ERP	Energy related products directive 2019/2020/EC
RoHS	Restriction of hazardous substances 2015/863/EU

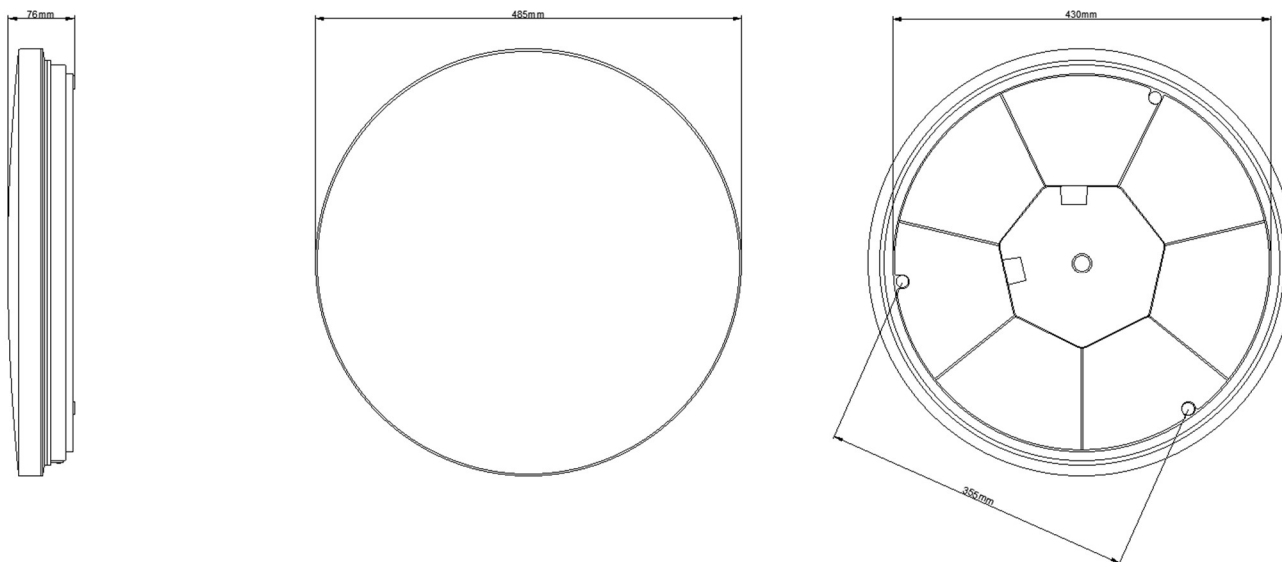
Product Dimensions



KRSF350/351



KRSF355/358



KRSF362/365

KSR Lighting is constantly developing and improving its products. For this reason, all product descriptions in this data sheet are intended as a general guide, and KSR may change specifications from time to time in the interest of product development, without prior notification or public announcement. All descriptions in this data sheet present only general particulars of the goods to which they refer and shall not form part of any contract. Data in this guide has been obtained in controlled experimental conditions. However, KSR Lighting cannot accept any liability arising from the reliance on such data to the extent permitted.