

# Siena Cr



## Product Information

The Siena Cr floodlights are available in four wattages 10W, 20W, 30W or 50W. Supplied in 4000K

They come complete with a 2 year warranty.



PIR Version

## Product Features

- 2 year warranty
- High efficiency
- 4000K LED
- Non-Dimmable
- IP65 – with or without PIR
- IK07
- Instant on
- Range of sizes and wattages
- Integral driver
- L70 - 25,000hrs

# Product Specification

Product Code	Product Description	Wattage (W)	CCT (K)	Lumens (lm)
KSR5300	Siena Cr 10W 4000K Floodlight	10	4000	845
KSR5301	Siena Cr 10W 4000K Floodlight with PIR	10	4000	845
KSR5302	Siena Cr 20W 4000K Floodlight	20	4000	1685
KSR5303	Siena Cr 20W 4000K Floodlight with PIR	20	4000	1685
KSR5304	Siena Cr 30W 4000K Floodlight	30	4000	2775
KSR5305	Siena Cr 30W 4000K Floodlight with PIR	30	4000	2775
KSR5306	Siena Cr 50W 4000K Floodlight	50	4000	4610
KSR5307	Siena Cr 50W 4000K Floodlight with PIR	50	4000	4610
<b>Accessories</b>				
KSR5294	Siena Spike for 10-50w LED Floodlights			

Nominal voltage	220-260V
Operating frequency	50-60Hz
Ambient temperature range	-20°C~+35°C
Start time	< 0.5 sec
Protection Class	I
CRI	Ra>84
IP rating	IP65

## Construction

Body: Cast Aluminium  
Diffuser: Glass

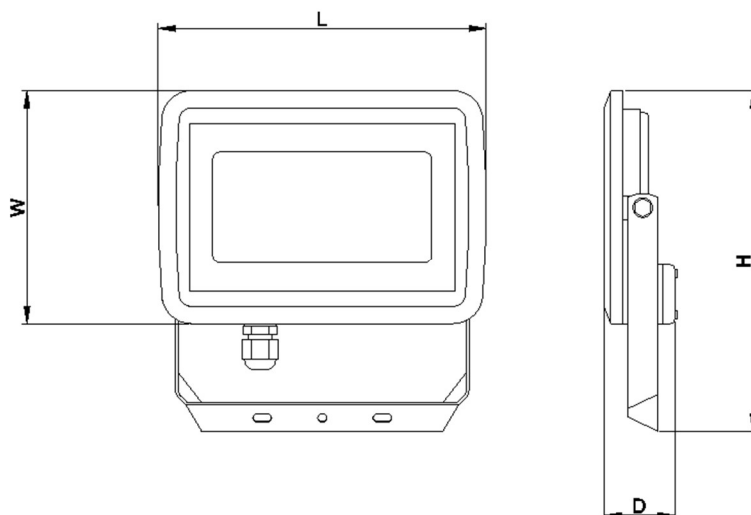
## Standards

EN60598-2-5:2015      Luminaires – Part 2-5: Floodlights

## In Conformity with

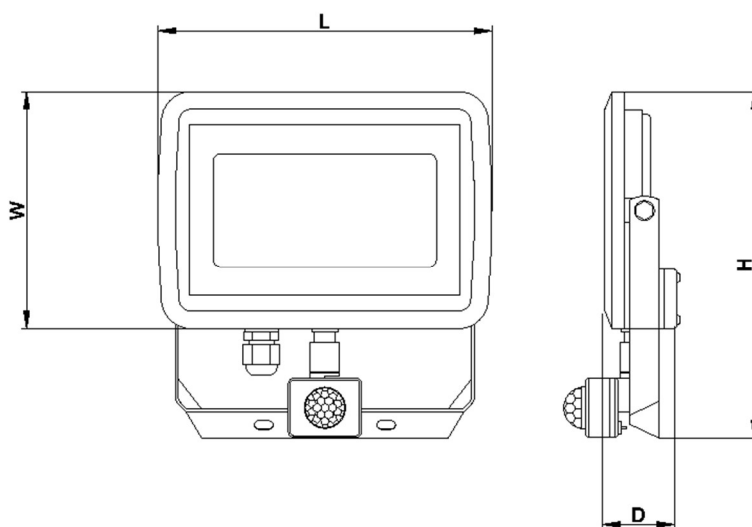
LVD                      Low voltage directive 2014/35/EU  
EMC                     Electromagnetic compatibility directive 2014/30/EU  
ERP                      Energy related products directive 2019/863/EU  
RoHS                    Restriction of hazardous substances 2015/863/EU

## Product Dimensions – Standard Version



Description	Length	Width	Height	Depth
KSR5300	110mm	80mm	139mm	36.4mm
KSR5302	122mm	98mm	162mm	36.4mm
KSR5304	145mm	120mm	176mm	36.4mm
KSR5306	190mm	190mm	198mm	36.4mm

## Product Dimensions – PIR Version



Description	Length	Width	Height	Depth
KSR5301	110mm	80mm	139mm	61mm
KSR5303	122mm	98mm	162mm	61mm
KSR5305	145mm	120mm	176mm	61mm
KSR5307	190mm	190mm	198mm	61mm

KSR Lighting is constantly developing and improving its products. For this reason, all product descriptions in this data sheet are intended as a general guide, and KSR may change specifications from time to time in the interest of product development, without prior notification or public announcement. All descriptions in this data sheet present only general particulars of the goods to which they refer and shall not form part of any contract. Data in this guide has been obtained in controlled experimental conditions. However, KSR Lighting cannot accept any liability arising from the reliance on such data to the extent permitted.