



Available finish:- Anthracite Finish

Read these instructions before commencing installation. Please give these instructions to the owner/occupier after installation to retain for future reference/maintenance.

IP55 240V~50Hz 15W

These fittings are Class I and must be Earthed

Important Information

It is recommended that these luminaires are installed and fitted by a qualified electrician ensuring the installation complies with current IEE wiring regulations & local building control. These products are designed for connection to a 240V~50Hz supply.

Any faulty, broken or damaged luminaires should be replaced immediately. KSR will not accept responsibility for any claims arising from a poor installation.

Please Note: The limited warranty shall be deemed null and void in the following circumstances: Failure by the installer, end user or any third party to exercise caution to protect any covered product or part from outside damage, adverse temperature (normal operating ambient temperature -15°C - +40°C), humidity conditions, fluctuations in the electrical system or physical abuse as well as failure related to workmanship in the installation of the products or parts.

Important User Advice

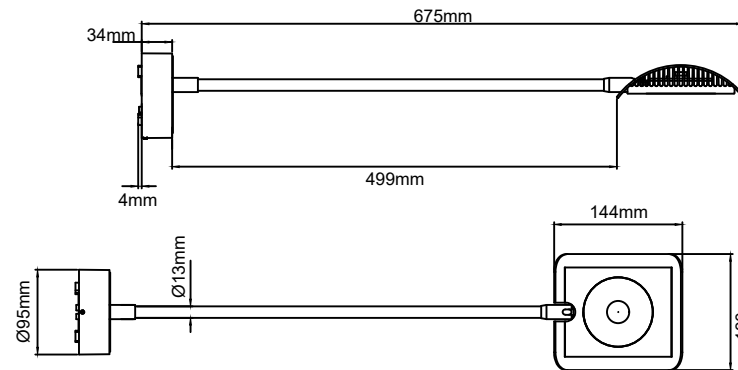
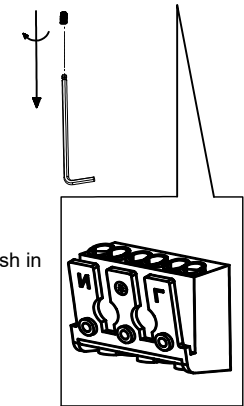
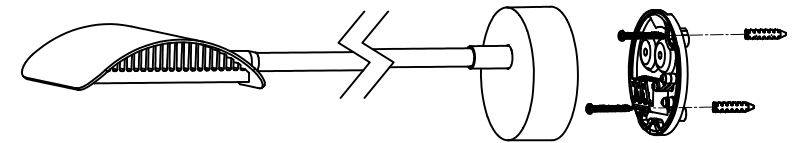
Always switch off mains supply before servicing. Do not use Megger or similar high voltage instruments. Due to the fact this luminaire contains electronic components that maybe damaged by high test voltages, they must be disconnected from the circuit before testing. To prevent damage to the driver, do not mix with conventional magnetic ballasts on the same electrical circuit. At the end of life the luminaire is classed as WEEE under directive 2014/30/EU and should be disposed of in accordance with local legislation. General maintenance and cleaning should be performed at least quarterly. Clean product outer using a damp cloth. After any maintenance, remember to check all seals are intact.

Installation Procedure

- Familiarize yourself with the luminaire and ensure the power is turned off before installing the fitting.
- Unscrew but do not remove the grub screw from the underside of the base section. Remove the mounting plate from the fitting.
- Ensuring the two cable entry points are towards the top offer the base plate up and mark the two fixing points.
- Drill the fixing points and secure base to the wall, dressing supply cables though the grommets.
- Terminate the wiring L-Live (Brown), N-Neutral (Blue) and E-Earth (Green/Yellow)
- Hook the main luminaire onto the base plate and tighten the grub screw.
- Adjust the head section to the required position.
- Turn on the power and test the luminaire.

This Luminaire is Non Dimmable

Note: This luminaire requires a 240v AC supply, no external driver is required.



Mains Supply	Luminaire
Live - Brown	L - Brown
Earth - Green/Yellow	⊕ - Green/Yellow
Neutral - Blue	N - Blue

Lamp Details
KSR7191 - 15W Integral LED Module
1100 Lumens
Non Replaceable
3000k Warm White
The light source of this luminaire is not replaceable; when the light source reaches its end of life the light source and control gear shall be replaced



KSR Lighting Aftersales: 023 92 674343
E-mail: aftersales@ksrlighting.com