



Read these instructions before commencing installation. Please give these instructions to the owner/occupier after installation to retain for future reference/maintenance.

Available finishes: Black (KSR1378-KSR1385) or Stainless Steel (KSR1370-KSR1377)

IP65 240VAC~50Hz 3W LED

These fittings are Class I and must be Earthed

Important Information

It is recommended that these luminaires are installed and fitted by a qualified electrician ensuring the installation complies with current IEE wiring regulations & local building control. These products are designed for connection to a 240VAC~50Hz supply.

Any faulty, broken or damaged luminaires should be replaced immediately.

KSR will not accept responsibility for any claims arising from a poor installation.

Please Note: The limited warranty shall be deemed null and void in the following circumstances:

Failure by the installer, end user or any third party to exercise caution to protect any covered product or part from outside damage, humidity conditions, fluctuations in the electrical system or physical abuse as well as failure related to workmanship in the installation of the products or parts.

Important User Advice

Please note this luminaire is non-dimmable. General maintenance and cleaning should be performed at least quarterly. Clean product outer using a damp cloth, the glass can be cleaned with hot soapy water, dried and buffed to a shine. Never use corrosive cleaners on or around the luminaires. KSR recommend protecting from exposure to natural elements in the form of a non-abrasive water repellent protection (eg. car wax).

Do not use Megger or similar high voltage instruments. Due to the fact this luminaire contains electronic components that may be damaged by high test voltages, they must be disconnected from the circuit before testing.

Please ensure that the surface that the luminaire is installed into is not corrosive to aluminium. At the end of life the luminaire is classed as WEEE under directive 2014/30/EU and should be disposed of in accordance with local legislation.

Installation Procedure

KSR recommends that you familiarise yourself with the installation. Once you are satisfied:

Ensure mains supply is safely isolated.

Drill/cut a 56-60mm hole and cement the plastic retainer into place or build in ensuring the front is flush with the finished wall/ground.

Never fit the luminaire into the plastic Sleeve until the concrete/cement/plaster/render is fully dry.

If installed in a single skin retaining wall (not recommended) always ensure the luminaire is never in contact with the soil as this will cause premature failure due to potentially water logged soil, corrosion due to the acidity of the soil. Along with ensuring good drainage is adhered to this is to prevent the luminaire is never submerged (IP65) as this would invalidate the warranty.

Ground Installation

For ground installation a minimum of 300mm shingle for drainage below the fitting should be used and make sure it is not installed where water can pool as per fig 1.

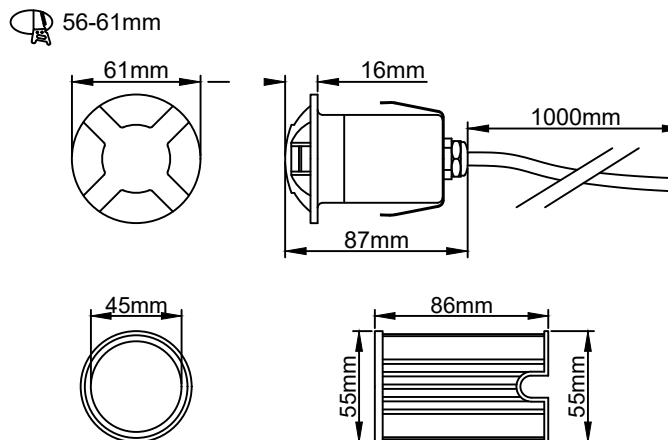
Wall Installation

For Wall Installation please ensure sleeve provided is installed as per fig 2.

Terminate the wiring using a suitable IP rated connector for the installation, (Brown - Live, Blue - Neutral and Green/Yellow - Earth).

Install the luminaire into the back box by pushing into the opening.

Turn on mains supply and test.



Back Box

	KSR1373, KSR1377, KSR1381 & KSR1385
	KSR1372, KSR1376, KSR1380 & KSR1384
	KSR1371, KSR1375, KSR1379 & KSR1383
	KSR1370, KSR1374, KSR1378 & KSR1382

Fig. 1

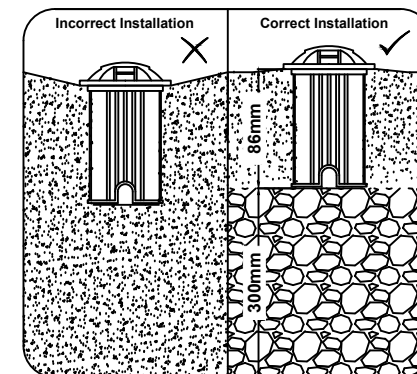
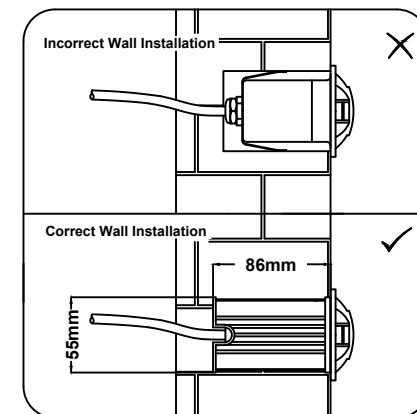


Fig. 2



Lamp Details

Lamp Source: Non-replaceable LED Cob
 KSR1370-1373 & KSR1378-KSR1381 - 3000K
 KSR1374-1377 & KSR1382-KSR1385 - 4000K
 CRI: Ra80
 Wattage: 3W

*This product contains a light source of energy efficiency class G.
 The LED light source and Control Gear in this product is non-replaceable.*



KSR Lighting Aftersales: 023 92 674343
 E-mail: aftersales@ksrlighting.com