



Available finish: 316L Grade Stainless Steel

Read these instructions before commencing installation. Please give these instructions to the owner/occupier after installation to retain for future reference/maintenance.

IP65 IK10 240V~50Hz 15W

These fittings are Class II and do not require an Earth

**Important Information**

It is recommended that these luminaires are installed and fitted by a qualified electrician ensuring the installation complies with current IEE wiring regulations & local building control. These products are designed for connection to a 240V~50Hz supply. Any faulty, broken or damaged luminaires should be replaced immediately.

KSR will not accept responsibility for any claims arising from a poor installation.

Please Note: The limited warranty shall be deemed null and void in the following circumstances: Failure by the installer, end user or any third party to exercise caution to protect any covered product or part from outside damage, adverse temperature (normal operating ambient temperature -15 ~ +40°C), humidity conditions, fluctuations in the electrical system or physical abuse as well as failure related to workmanship in the installation of the products or parts.

**Important User Advice**

Always switch off mains supply before servicing and maintenance.

Please ensure that a suitable maintenance schedule is performed including greasing all moving parts and protection from exposure to natural elements in the form of a non-abrasive cleaner/water repellent protection to ensure the product gives you a long lasting trouble free life.

**Installation Procedure**

Safely isolate the mains supply before installation.

Remove the head by loosening the 4 grub screws, twist the head anti-clockwise and then the 2 nuts holding the tray Fig.1, remove the tray and the stainless steel tube.

Direct suitable cable from the source to the centre of the hole making sure there is enough cable to reach the terminal block for the height of the bollard you have purchased.

Fix the bollard base with suitable fixings for the substrate.

Refit the stainless steel tube and run the cable through the gland and tighten the gland to ensure a watertight seal.

Refit the tray and reinstall the 2 nuts you removed previously.

Terminate the mains supply as per Fig. 2.

Select the LED colour you require using the switch on the driver casing.

Refit the head by turning clockwise, ensuring the seal is in place (Insert the seal into the head not around the tray).

Grease the 4 grub screws and tighten. We recommend re-greasing every 2-3 months depending on exposure

Turn mains supply on and test luminaire.

Fig. 1

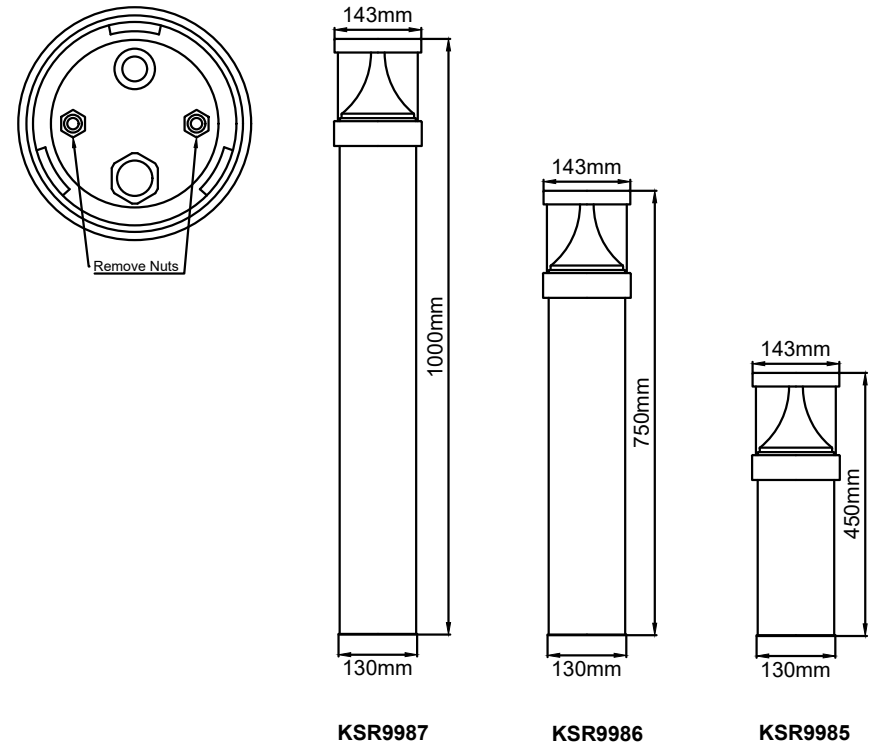
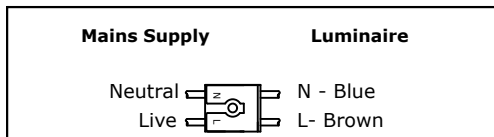


Fig. 2



Lamp Details	
Lamp:	Dedicated LED
Wattage:	15W
Colour:	Switchable 3000K - 4000K - 6000K
3000K Lumen Output:	1595 lumens
4000K Lumen Output:	1710 lumens
6000K Lumen Output:	1600 lumens
CRI:	Ra>82

*This product contains a light source of energy efficiency class E  
The LED light source and Control Gear in this product can be replaced by a professional.*



KSR Lighting Ltd, Optimum House, Beeding Close, Southern Cross Trading Estate, Bognor Regis, West Sussex, PO22 9TS.

KSR Lighting Aftersales: 023 92 674343  
E-mail: aftersales@ksrlighting.com