



Available finish:- Black

Read these instructions before commencing installation. Please give these instructions to the owner/occupier after installation to retain for future reference/maintenance.

IP44 240V~50Hz 40W Max.

These fittings are Class II and do not require an Earth

Important Information

It is recommended that these luminaires are installed and fitted by a qualified electrician ensuring the installation complies with current IEE wiring regulations & local building control. These products are designed for connection to a 240V~50Hz supply. Any faulty, broken or damaged luminaires should be replaced immediately. KSR will not accept responsibility for any claims arising from a poor installation. Please Note: The limited warranty shall be deemed null and void in the following circumstances: Failure by the installer, end user or any third party to exercise caution to protect any covered product or part from outside damage, adverse temperature (normal operating ambient temperature -15 ~ +40°C), humidity conditions, fluctuations in the electrical system or physical abuse as well as failure related to workmanship in the installation of the products or parts.

Important User Advice

Always switch off mains supply before installing, servicing or replacing lamps.

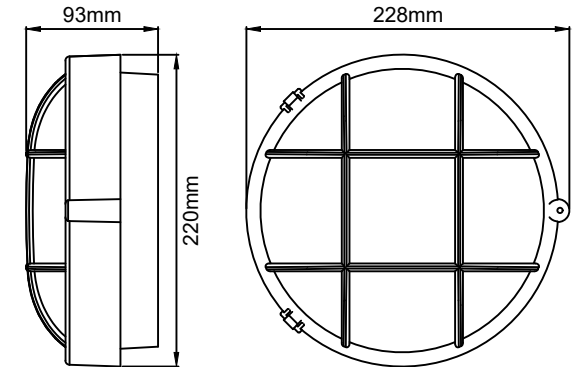
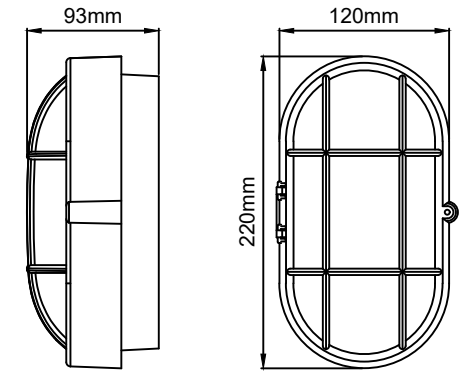
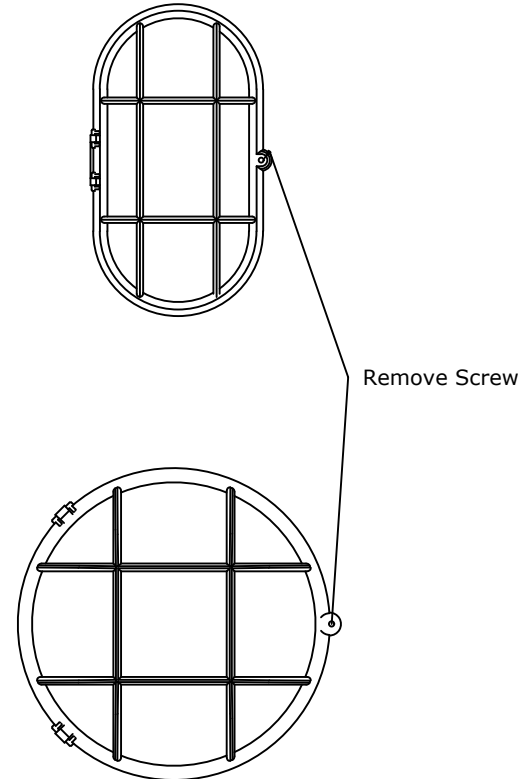
General Maintenance

General maintenance and cleaning should be performed at least quarterly. Clean product outer by washing down with soapy water (no abrasive cleaners) and greasing any nut/bolts where appropriate every 3 months. After any maintenance remember to check all seals undamaged and intact.

Installation Procedure

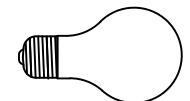
- Familiarize yourself with the installation.
- Safely isolate the mains supply.
- Remove the screw that holds the rim to the back plate (Fig. 1)
- Unclip and remove rim and diffuser, pass the supply cable through the grommet in the back plate and secure the back plate using suitable fixings for the substrate.
- Terminate the supply cable into the lamp holder (Neutral - Blue and Live - Brown)
- Re-fit diffuser and rim, replace screw to secure.
- Turn on mains supply and test.

Fig. 1



Lamp Details

Lamp Cap: E27 GLS
Wattage: 40W (max)



KSR Lighting recommend only branded lamps
For example: Sylvania, GE, Philips or Osram



KSR Lighting Aftersales: 023 92 674343
E-mail: aftersales@ksrlighting.com