



Available colours: Black and White

Read these instructions before commencing installation. Please give these instructions to the owner/occupier after installation to retain for future reference/maintenance.

IP66 IK08 0.3m 240V~50Hz 12W

These fittings are Class II and do not need an Earth, but Earth provision is provided.

Important Information

It is recommended that these luminaires are installed and fitted by a qualified electrician ensuring the installation complies with current IEE wiring regulations & local building control. These products are designed for connection to a 240V~50Hz supply.

Any faulty, broken or damaged luminaires should be replaced immediately.

KSR will not accept responsibility for any claims arising from a poor installation.

Please Note: The limited warranty shall be deemed null and void in the following circumstances: Failure by the installer, end user or any third party to exercise caution to protect any covered product or part from outside damage, adverse temperature (normal operating ambient temperature -15°C - +40°C), humidity conditions, fluctuations in the electrical system or physical abuse as well as failure related to workmanship in the installation of the products or parts.

Important User Advice

Always switch off mains supply before servicing.

Do not use Megger or similar high voltage instruments. Due to the fact this luminaire contains electronic components that may be damaged by high test voltages, they must be disconnected from the circuit before testing.

To prevent damage to the driver, do not mix with conventional magnetic ballasts on the same electrical circuit.

At the end of life the luminaire is classed as WEEE under directive 2014/30/EU and should be disposed of in accordance with local legislation.

Installation Procedure (Fig.1)

Isolate mains supply before installation.

Unscrew and retain the four screws and remove the rim and diffuser.

Pass intended supply wires through grommet.

Ensure the fixing surface is flat and even.

Fix base to the wall or ceiling using adequate fixings with regard to type of surface.

Ensure incoming cables are protected.

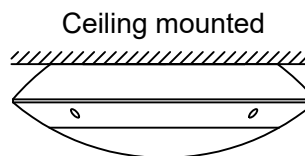
Terminate wiring as per Fig.2.

Make sure the seal is in place in the diffuser and undamaged.

Replace Diffuser and rim re-secure using the four retained screws.

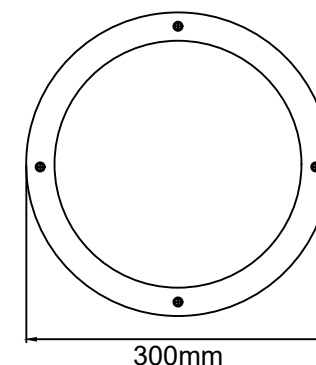
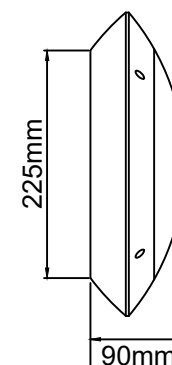
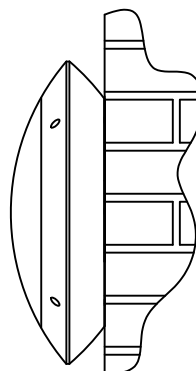
Turn on the mains supply and test luminaire.

Fig.1

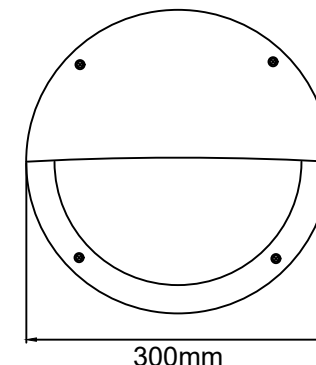
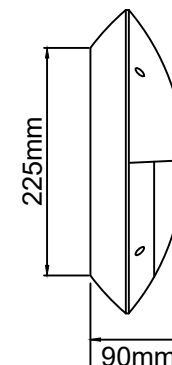


Ceiling mounted

Wall mounted

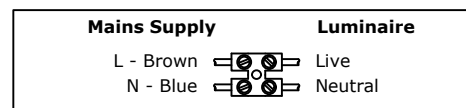


KRSF230



KRSF231

Fig.2



Lamp Details

Lamp: LED
 Wattage: 12W
 Colour: 4000K
 KRSF230 Lumen Output: 675 lumens
 KRSF231 Lumen Output: 500 lumens
 CRI: Ra>82

The light source of this luminaire is not replaceable; when the light source reaches its end of life the light source and control gear shall be replaced

This product contains a light source of energy efficiency class G



KSR Lighting Aftersales: 023 92 674343

E-mail: info@ksr-lighting.co.uk