



Available finish:- Black

Read these instructions before commencing installation. Please give these instructions to the owner/occupier after installation to retain for future reference/maintenance.

IP65 IK10 240V~50Hz 18W

These fittings are Class I and must be Earthed

Important Information

It is recommended that these luminaires are installed and fitted by a qualified electrician ensuring the installation complies with current IEE wiring regulations & local building control. These products are designed for connection to a 240V~50Hz supply. Any faulty, broken or damaged luminaires should be replaced immediately. KSR will not accept responsibility for any claims arising from a poor installation. Please Note: The limited warranty shall be deemed null and void in the following circumstances: Failure by the installer, end user or any third party to exercise caution to protect any covered product or part from outside damage, adverse temperature (normal operating ambient temperature -15 ~ +40°C), humidity conditions, fluctuations in the electrical system or physical abuse as well as failure related to workmanship in the installation of the products or parts.

Important User Advice

Always switch off mains supply before servicing and maintenance. Please ensure that a suitable maintenance schedule is performed including greasing all moving parts and protection from exposure to natural elements in the form of a non-abrasive cleaner/water repellent protection to ensure the product gives you a long lasting trouble free life.

Installation Procedure

- Safely isolate the mains supply before installation.
- Remove and retain the four hex bolts holding the rim to the body remove the rim & diffuser.
- Remove the three screws holding the LED gear tray.
- Pass the supply cable through the grommet ensuring a water tight seal.
- Ensure the fixing surface is flat and even.
- Fix the base to the wall or ceiling (Fig.1), use adequate fixings with regard to type of surface.
- Ensure incoming cables are protected.
- Remove and retain the four screws from the terminal housing.
- For non-emergency luminaires terminate wiring as per Fig.2.
- If you have the microwave sensor version set the settings to your requirements (overleaf).
- Make sure the seal is in place is clean and undamaged.
- Grease the retained hex bolts.
- Re-install the diffuser and rim using the retained greased hex bolts.
- Turn on the mains supply and test luminaire.

*Please note: Depending on the amount of fittings on a circuit you may have to upgrade the breaker to a 'C' or 'D' type to avoid nuisance tripping.

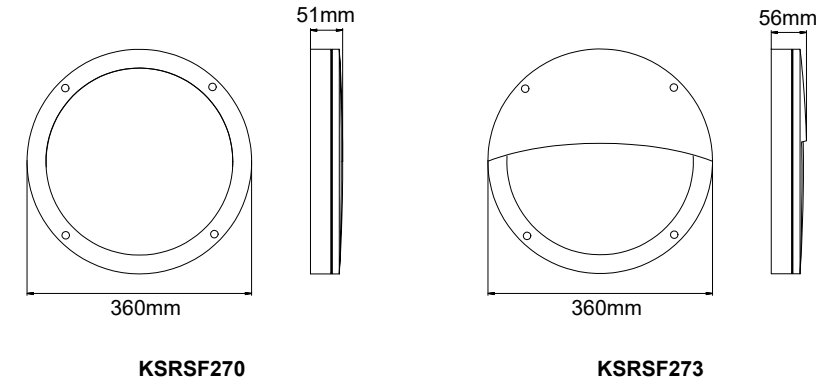
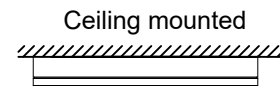


Fig.1



Wall mounted

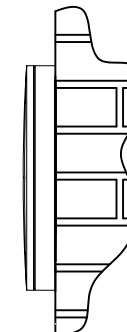
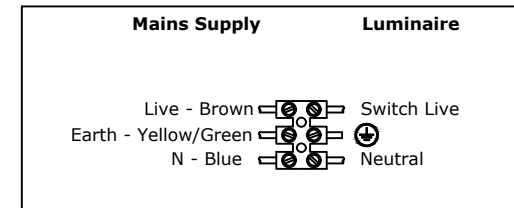


Fig.2



Lamp Details

Lamp: Dedicated LED
 Wattage: 18W
 Colour: 4000K
 KSRSF270/272 Lumen Output: 1100 lumens
 KSRSF273/275 Lumen Output: 670 lumens
 CRI: Ra86

The light source of this luminaire is not replaceable; when the light source reaches its end of life the whole luminaire shall be replaced

This product contains a light source of energy efficiency class G

KSR Lighting Aftersales: 023 92 674343
 E-mail: aftersales@ksrlighting.com

