



Dimmable LED Wall Light, White & Alu Finish

Read these instructions before commencing installation. Please give these instructions to the owner/occupier after installation to retain for future reference/maintenance.

IP20 240VAC~50Hz 13W

These fittings are Class I and must be Earthed

Important Information

It is recommended that these luminaires are installed and fitted by a qualified electrician ensuring the installation complies with current IEE wiring regulations & local building control. These products are designed for connection to a 240V~50Hz supply. Any faulty, broken or damaged luminaires should be replaced immediately. KSR will not accept responsibility for any claims arising from a poor installation. Please Note: The limited warranty shall be deemed null and void in the following circumstances: Failure by the installer, end user or any third party to exercise caution to protect any covered product or part from outside damage, adverse temperature, humidity conditions, fluctuations in the electrical system or physical abuse as well as failure related to workmanship in the installation of the products or parts.

Important User Advice

Always switch off mains supply before servicing. KSR recommend greasing all threaded parts and cleaning the body every 3 months minimum. At the end of life the luminaire is classed as WEEE under directive 2014/30/EU and should be disposed of in accordance with local legislation.

Installation Details

Remove the retaining grub screws from the side of the wall light holding the back plate to the fitting. Secure the back plate to a suitable surface, dressing supply cable to ensure it is not snagged on any part of the bracket. Connect the mains supply to the terminal block following the marking on the base and/or the guide in Fig 1 as below. Place the fitting back on to the base plate and secure with the grub screw. Turn on the power and test.

This product features KSRs colour toning technology, when connected to a suitable dimmer the fitting will dim down and tone to a warmer colour temperature. 3000k down to 2000k.

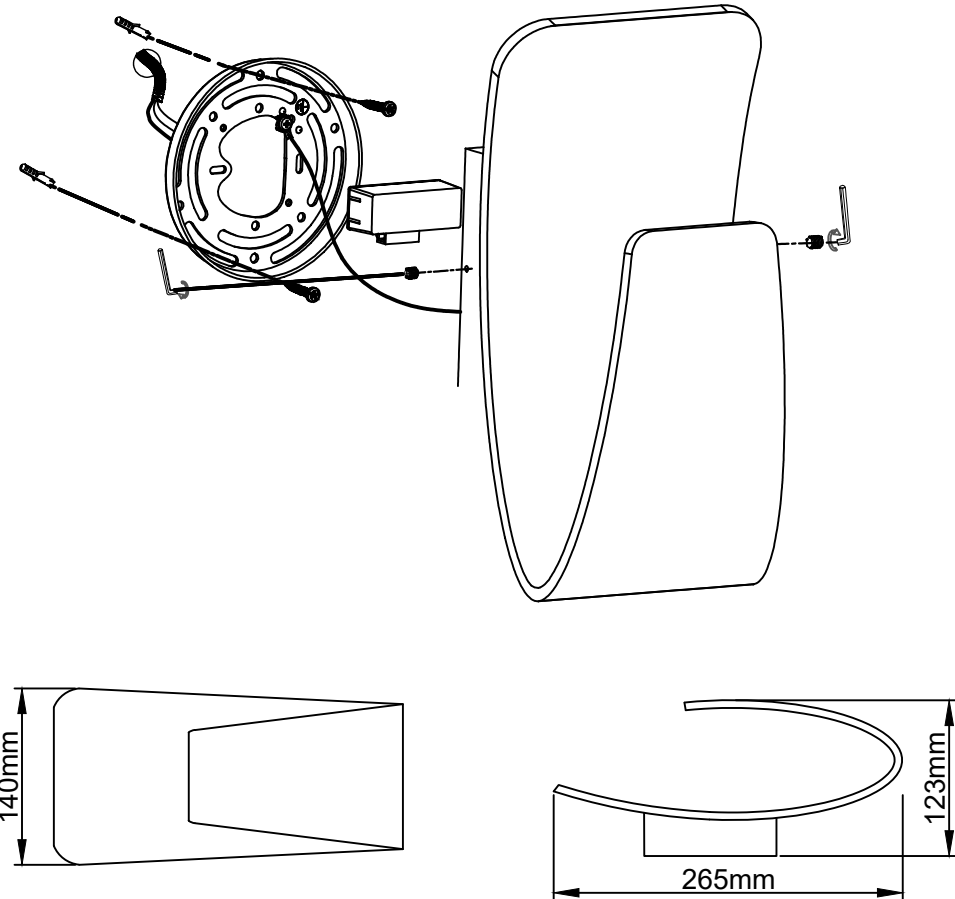
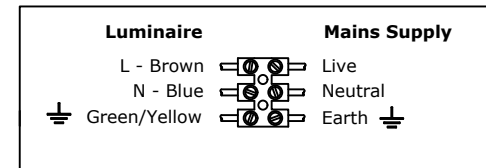


Fig. 1



Lamp Details

Light Source: LED Module
 Wattage: 13W, 546 Lumens
 3000k Warm White (Colour Toning)

The light source of this luminaire is not replaceable; when the light source reaches its end of life the light source and control gear shall be replaced



KSR Lighting Aftersales: 023 92 674343
 E-mail: aftersales@ksr-lighting.co.uk