



Available Finishes: Satin Chrome, Black or White

Read these instructions before commencing installation. Please give these instructions to the owner/occupier after installation to retain for future reference/maintenance.

IP20 240VAC~50Hz 10W LED Max.

These fittings are Class I and must be Earthed

Important Information

It is recommended that these luminaires are installed and fitted by a qualified electrician ensuring the installation complies with current IEE wiring regulations & local building control. These products are designed for connection to a 240V~50Hz supply.

Any faulty, broken or damaged luminaires should be replaced immediately.

KSR will not accept responsibility for any claims arising from a poor installation.

Please Note: The limited warranty shall be deemed null and void in the following circumstances: Failure by the installer, end user or any third party to exercise caution to protect any covered product or part from outside damage, adverse temperature, humidity conditions, fluctuations in the electrical system or physical abuse as well as failure related to workmanship in the installation of the products or parts.

Important User Advice

Always safely isolate mains supply before installing/servicing.

At the end of life the luminaire is classed as WEEE under directive 2014/30/EU and should be disposed of in accordance with local legislation.

Installation Procedure

Familiarize yourself with the luminaire/installation procedure and ensure the power is safely isolated before installing the luminaire.

Identify a suitable area(s) for the pendant to be mounted in and ensure the surface being mounted onto is smooth and suitable for the product type

Release both screws at the base of the ceiling rose and remove to allow the ceiling rose to come free off the mounting bracket see Fig. 1.

With the mounting plate free, offer up the mounting bracket to the mounting surface and prepare ceiling for fixings provided, the hole spacing required is 66mm +/- 1mm.

With fixing positions prepared fasten fixings onto mounting bracket until secure.

Using the terminal block provided terminate wiring Brown to Live, Blue to Neutral and Green/Yellow to Earth

see Fig. 2.

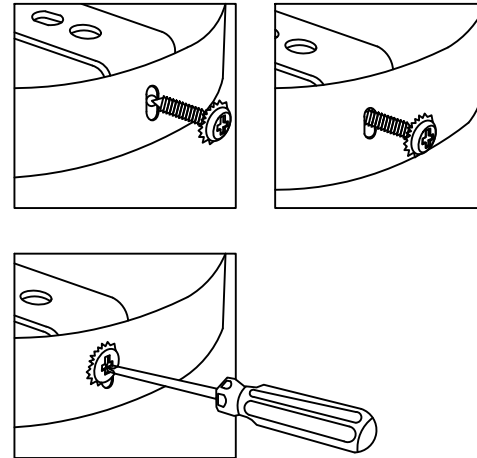
With terminations completed re-secure ceiling rose onto mounting bracket ensuring no cables are pinched or nicked (Fig. 1).

With the pendant now securely mounted proceed to fit a suitable E27 lamp not exceeding the maximum wattage. When using the KSR1650 with any of the Decorative E27 Shade Range (KSR1651-1655) secure shade onto the pendant using the lock ring(s) provided.

Finally turn on power and test pendant

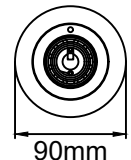
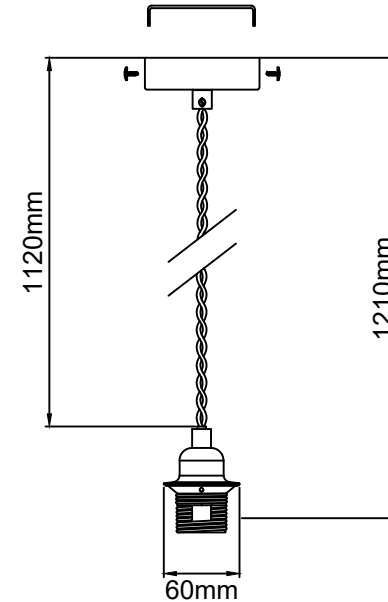
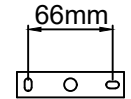
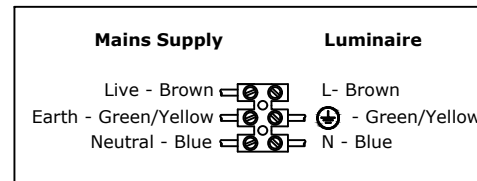
Please note drop length of E27 holder can be adjusted in the ceiling rose according to application, max drop length is 1200mm

Fig 1.



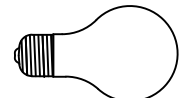
This pendant is suitable for use with:
 Olivera Shade Range (KSR1651)
 Medina Shade Range (KSR1652)
 Palmera Shade Range (KSR1653)
 Serena Shade Range (KSR1654)
 Santona Shade Range (KSR1655)

Fig 2.



Lamp Details

Lamp Cap: E27 GLS
 Wattage: 10W LED (max)



KSR Lighting recommend using branded lamps
 For example: Sylvania, GE, Philips or Osram



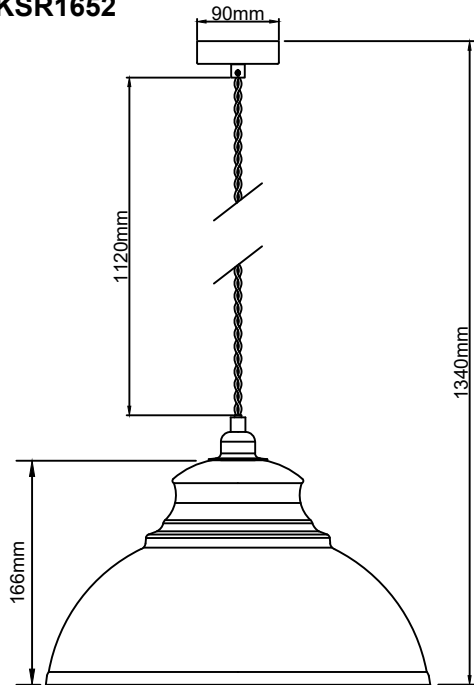


Read these instructions before commencing installation. Please give these instructions to the owner/occupier after installation to retain for future reference/maintenance.

Available Finishes: Glass, Satin Chrome, Copper, Black or White

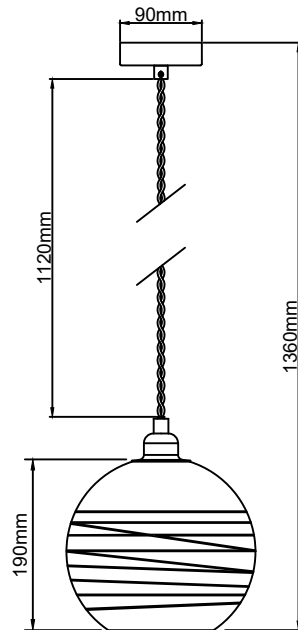
IP20 240VAC~50Hz 10W LED Max.

KSR1652



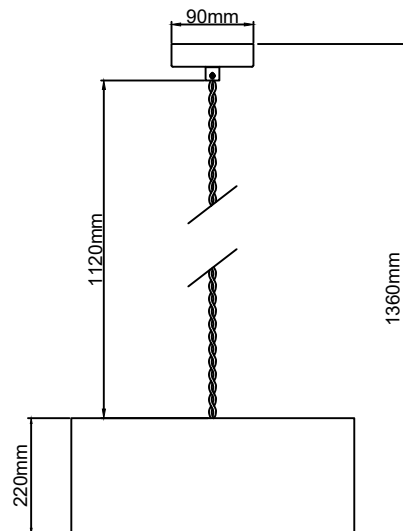
Medina

KSR1653



Palmera

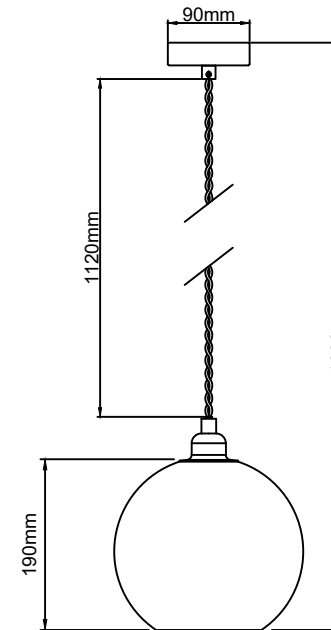
KSR1651



Olivera

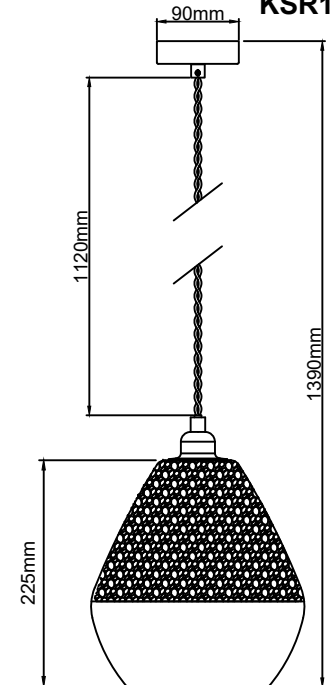


KSR1654



Serena

KSR1655



Santona