



Read these instructions before commencing installation. Please give these instructions to the owner/occupier after installation to retain for future reference/maintenance.

IP20 240VAC~50Hz 46W

Important Information

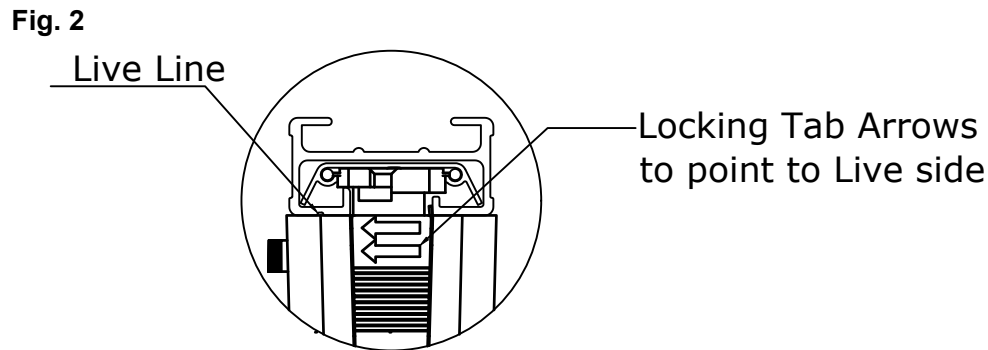
It is recommended that the track system is installed and fitted by a qualified electrician ensuring the installation complies to current IEE wiring regulations & local building control. These products are designed for use with the Escala Pro single circuit track system only. Any damaged parts should be replaced as soon as possible. KSR will not accept responsibility for any claims arising from a sub-standard installation.

Important User Advice

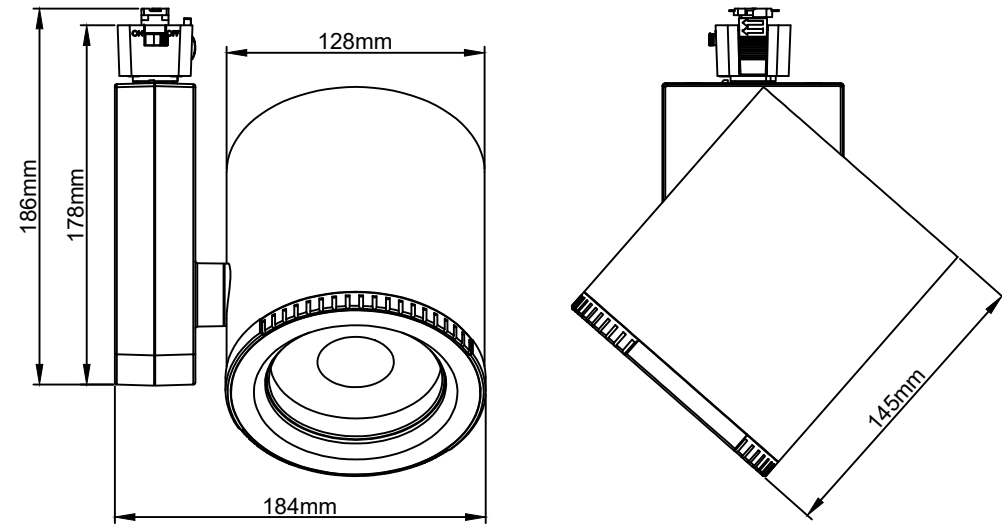
Always switch off mains supply before installing or servicing. This product is designed to be used indoors only.

Installation Procedure

Familiarize yourself with the way the luminaire attaches to the track and ensuring the correct polarity. KSR recommend to insert the luminaire into track with the locking tab opposite the Live side (shown by the line on the track) then turn the luminaire clockwise until the locking tab locks into the track, never force the luminaire see Fig.1. Visual confirmation that the luminaire is located correctly is that the arrows on the locking tab should point towards the Live side of the track (shown by the line on the track) see Fig.2. Make sure the locking tab is located in the locked position. Adjust the fitting to the desired position, the head section will tilt and rotate, do not force the adjustment past the stopping point. Rotate the front face of the luminaire between 20° and 50° as required for the application.

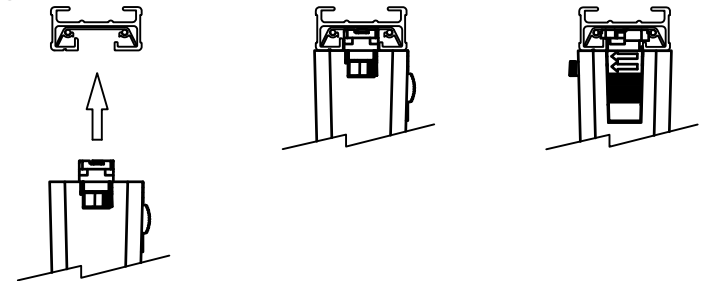


Available Finishes: White or Black



Adjustable Beam Angle Between 22 - 60 Deg

Fig. 1



Luminaire Details

Product Type	Wattage	CCT	CRI	Lumen output per beam angle		
				● FL - 60°	● NFL - 40°	● SP - 22°
KSR6534BLK	46W	3000K	Ra > 90	4203lm	4327lm	4336lm
KSR6534WHT	46W	3000K	Ra > 90	4314lm	4328lm	4338lm
KSR6535BLK	46W	4000K	Ra > 90	4663lm	4831lm	4765lm
KSR6535WHT	46W	4000K	Ra > 90	4986lm	4976lm	4776lm

The light source of this luminaire is not replaceable; when the light source reaches its end of life the light source and control gear shall be replaced

KSR Lighting Aftersales: 023 92 674343
E-mail: aftersales@ksrlighting.com

